





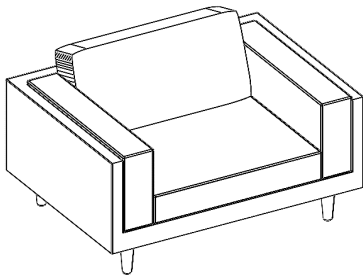
Vendor Information	
Vendor Name:	LSMX1
Vendor Code:	V-005852

Living Space Information
LS SKU:313119
LS product Name:Aries Chair Smoke
Vendor Model #:1102-CH-SM-ARI
Vendor Collection: ARIES

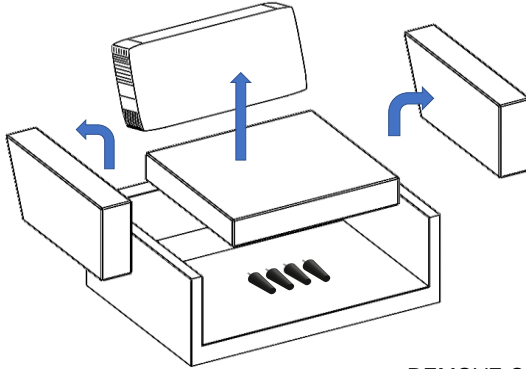
CODE	PART #	DESCRIPTION	SHIPS IN 48 HRS	QUANTITY	PRICING	NOTES
A	PLARIESL	LATERAL PLASTIC LEG ARIES	YES	4		

LIVING SPACES		
A	PLARIESL	 x4
1	ARIES CHAIR	 x1

ARIES CHAIR

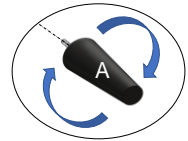
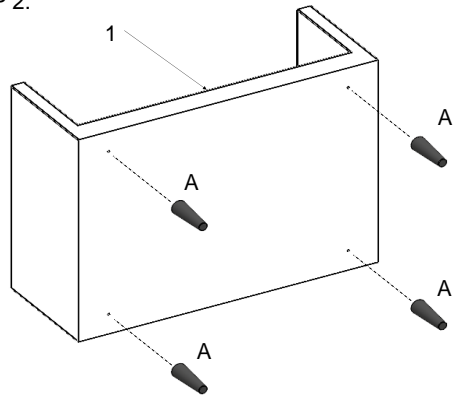


STEP 1:

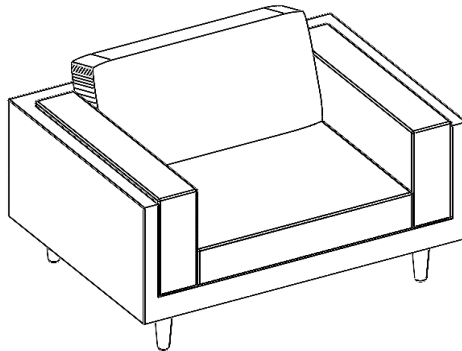


REMOVE CUSHIONS TO FIND LEGS

STEP 2:



TURN RIGHT  
ONLY USE THE HAND



ARIES CHAIR

