



Vendor Information




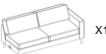

Vendor Name: LSMX1
Vendor Code: V-005852

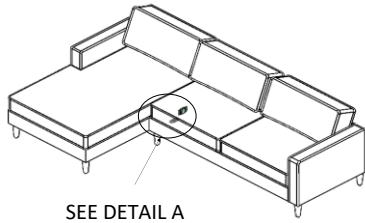
Living Space Information

LS SKU: 313109
LS product Name: KIT-CALAIS GRAVEL 2PC SECTIONAL W/LAF CHAISE
Vendor Model #:1075-2PCSECLAFCRAFS-CA-GRA
Vendor Collection: CALAIS

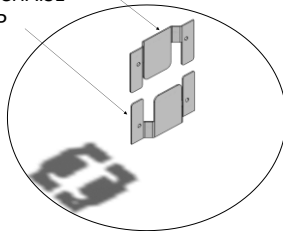
CODE	PART #	DESCRIPTION	SHIPS IN 48 HRS	QUANTITY	PRICING	NOTES
A	PLCALAIS	LATERAL LEG	YES	8		
B	LATERL LEG	CENTRAL LEG	YES	2		
C	PLASWASH	PLASTIC WASHER TO CALAIS LEG	YES	10		



A	PLCALAIS	 X8
B	PLCALCEN	 X2
C	PLASWASH	 X10
1	CALAIS RAF SOFA	 X1
2	CALAIS LAF CHAISE	 X1



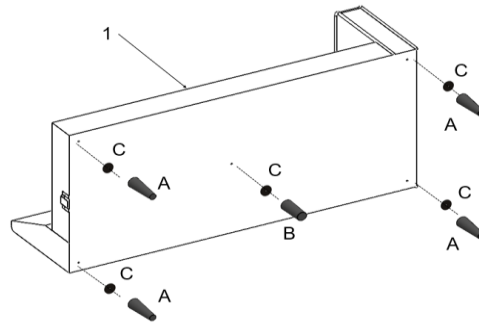
CALAIS RAF SOFA
BRACKET DOWN
CALAIS LAF CHAISE
BRACKET UP



DETAIL A



STEP 1: PLACE LEGS CALAIS RAF SOFA

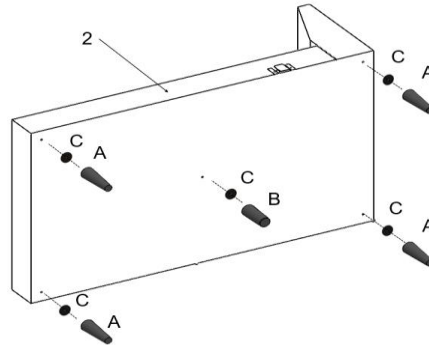


TURN RIGHT
ONLY USE THE HAND



TURN RIGHT
ONLY USE THE HAND

STEP 2: PLACE LEGS CALAIS LAF CHAISE

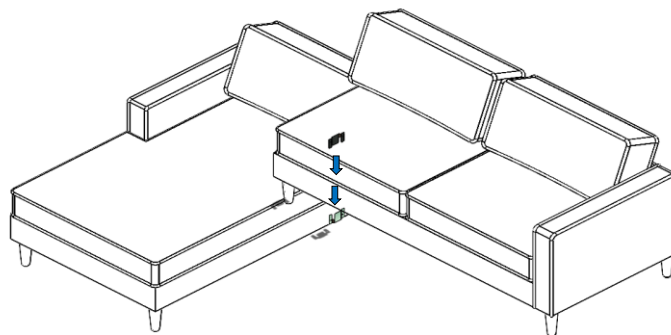


TURN RIGHT
ONLY USE THE HAND



TURN RIGHT
ONLY USE THE HAND

STEP 3: JOIN SECTIONAL



KIT-CALAIS 2PC SECTIONAL W-LAF CHAISE