




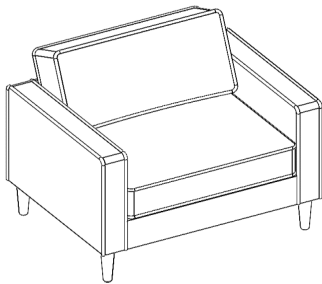
| Vendor Information | |
|--------------------|----------|
| Vendor Name: | LSMX1 |
| Vendor Code: | V-005852 |

| Living Space Information | |
|--------------------------|---------------------|
| LS SKU: | 313099 |
| LS product Name: | CALAIS GRAVEL CHAIR |
| Vendor Model #: | 1065-CH-CA-GRA |
| Vendor Collection: | CALAIS |

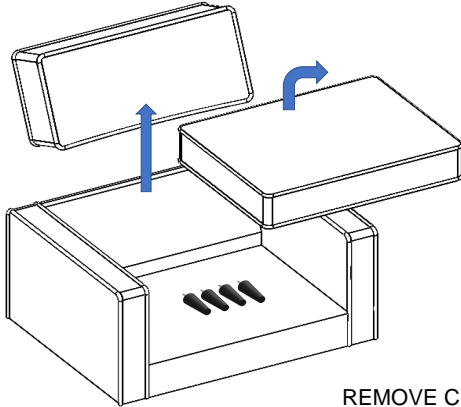
| CODE | PART # | DESCRIPTION | SHIPS IN 48 HRS | QUANTITY | PRICING | NOTES |
|------|----------|-------------|-----------------|----------|---------|-------|
| A | PLCALAIS | LATERAL LEG | YES | 4 | | |

| LIVING SPACES | | |
|---------------|--------------|--|
| A | PLCALAIS |  x4 |
| 1 | CALAIS CHAIR |  x1 |

CALAIS CHAIR

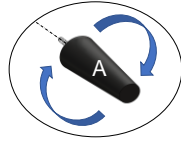
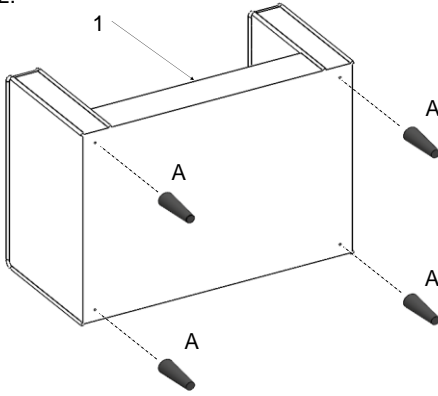


STEP 1:

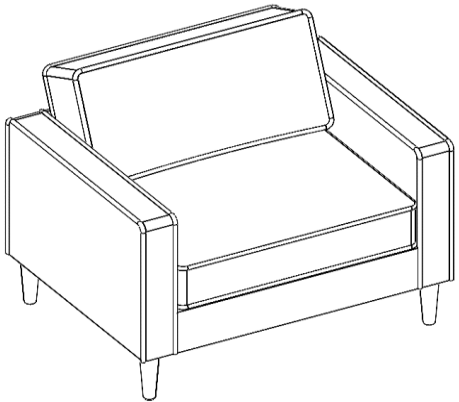


REMOVE CUSHIONS TO FIND LEGS

STEP 2:



TURN RIGHT
ONLY USE THE HAND



CALAIS CHAIR

