



Vendor Information

Vendor Name:	LSMX1
Vendor Code:	V-005852

Living Space Information

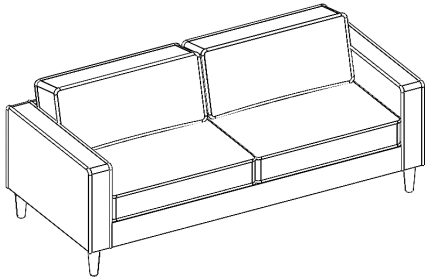
LS SKU:	313098
LS product Name:	CALAIS GRAVEL SOFA
Vendor Model #:	1064-S-CA-GRA
Vendor Collection:	CALAIS

CODE	PART #	DESCRIPTION	SHIPS IN 48 HRS	QUANTITY	PRICING	NOTES
A	PLCALAIS	LATERAL LEG	YES	4		
B	LATERL LEG	CENTRAL LEG	YES	1		

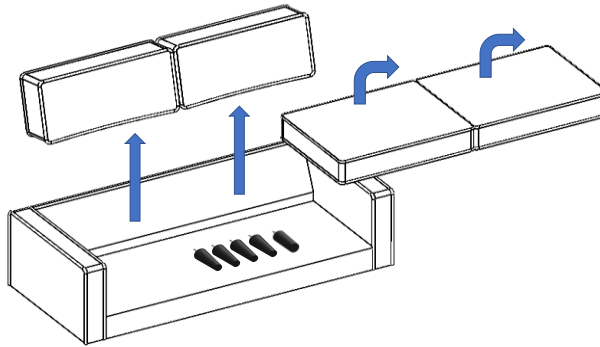


A	PLCALAIS	x4
B	PLCALCEN	x1
1	CALAIS SOFA	x1

CALAIS SOFA

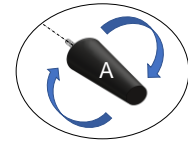
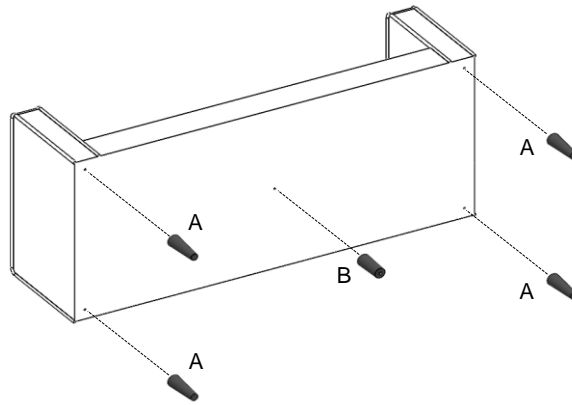


STEP 1:

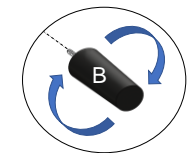


REMOVE CUSHIONS TO FIND LEGS

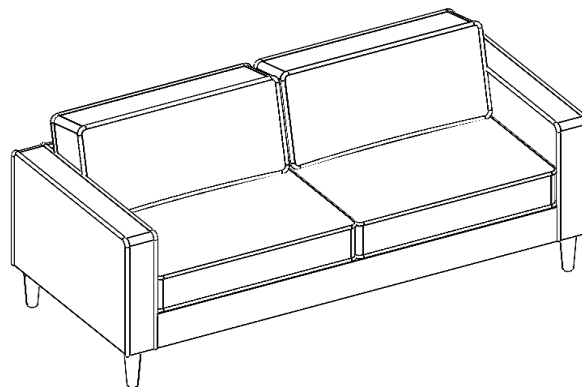
STEP 2:



TURN RIGHT ONLY USE THE HAND



TURN RIGHT ONLY USE THE HAND



CALAIS SOFA

