




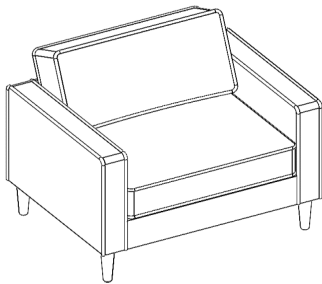
Vendor Information	
Vendor Name:	LSMX1
Vendor Code:	V-005852

Living Space Information	
LS SKU:	313084
LS product Name:	CALAIS VANILLA CHAIR
Vendor Model #:	1049-CH-CA
Vendor Collection:	CALAIS

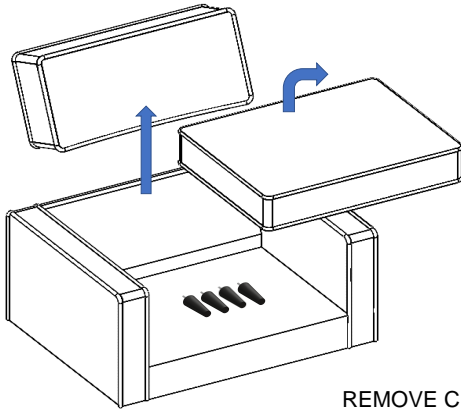
CODE	PART #	DESCRIPTION	SHIPS IN 48 HRS	QUANTITY	PRICING	NOTES
A	PLCALAIS	LATERAL LEG	YES	4		

LIVING SPACES		
A	PLCALAIS	 x4
1	CALAIS CHAIR	 x1

CALAIS CHAIR

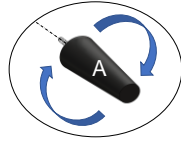
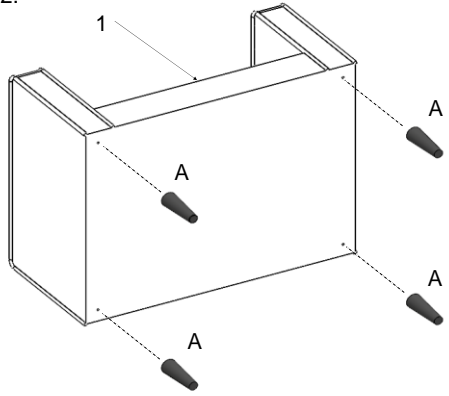


STEP 1:

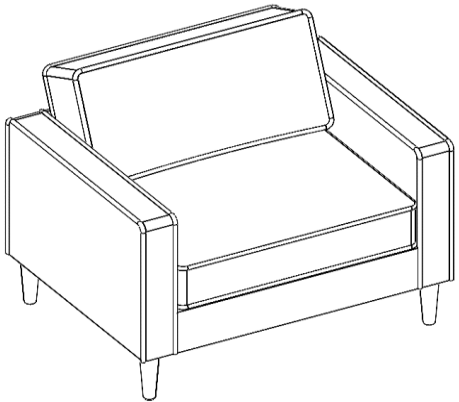


REMOVE CUSHIONS TO FIND LEGS

STEP 2:



TURN RIGHT
ONLY USE THE HAND



CALAIS CHAIR

