



LIVING SPACES

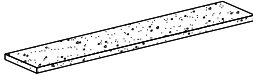
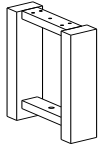


ASSEMBLY INSTRUCTIONS

Vanya Bench 82"
ITEM No.: 53004454



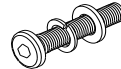
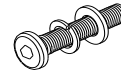
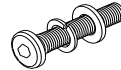
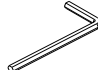

(BOX 1)

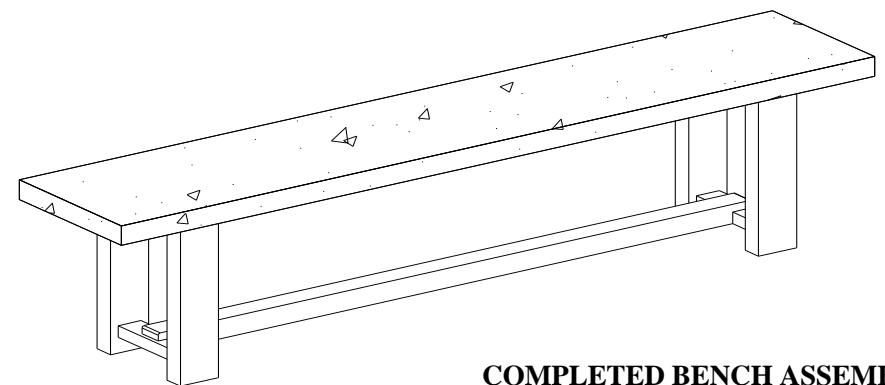
Box of Bench Top / Bench Legs, Top Support/ Stretcher

SKU#	IMAGE	DESCRIPTION	QUANTITY
53004454		Bench Top	1
		Bench Leg	2
		Top Support	1
		Stretcher	1

(BOX 1)

Bench Top / Bench Legs, Top Support/ Stretcher Hardware List

SKU#	IMAGE	DESCRIPTION	QUANTITY
Z1 Z4 Z5		Allen Bolt: Ø 8 x 40mm Sping Washer: Ø 8 x 12 x 2mm Washer: Ø 8 x 16 x 2mm	4
Z2 Z4 Z5		Allen Bolt: Ø 8 x 50mm Sping Washer: Ø 8 x 12 x 2mm Washer: Ø 8 x 16 x 2mm	8
Z3 Z4 Z5		Allen Bolt: Ø 8 x 80mm Sping Washer: Ø 8 x 12 x 2mm Washer: Ø 8 x 16 x 2mm	1
Z6		Allen Key Ø4 x 59mm	1
Z7		Adjustable Floor Glide (Pre-installed at the bottom of the legs)	4



COMPLETED BENCH ASSEMBLY



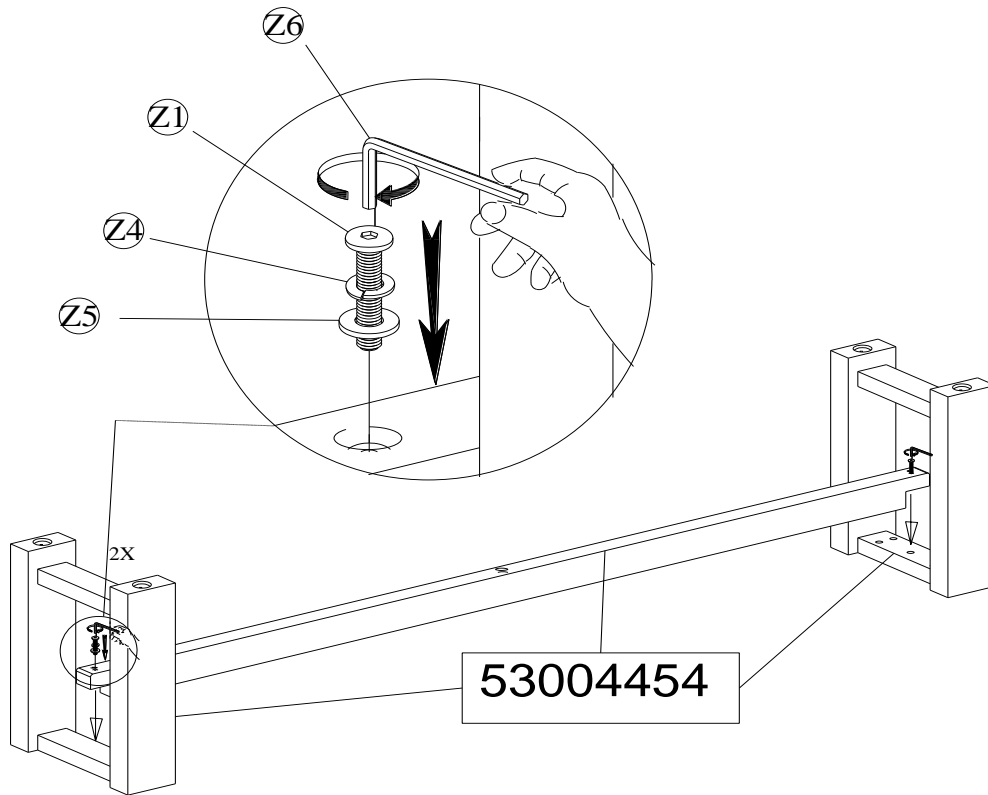
LIVING SPACES

ASSEMBLY INSTRUCTIONS

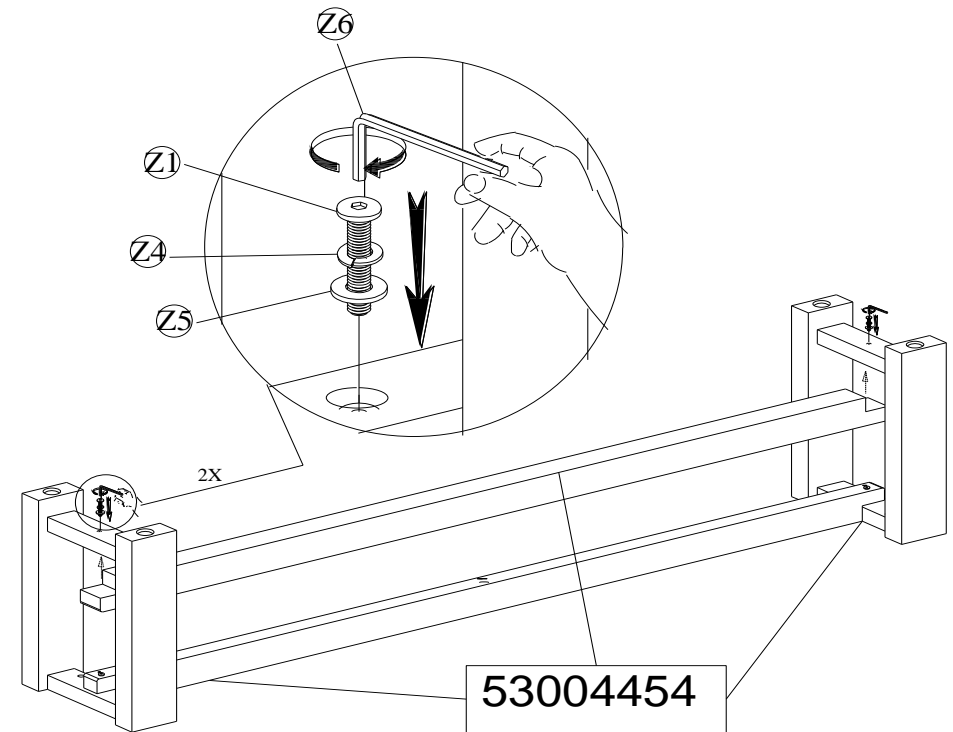
Vanya Bench 82"
ITEM No.: 53004454



STEP 1



STEP 2





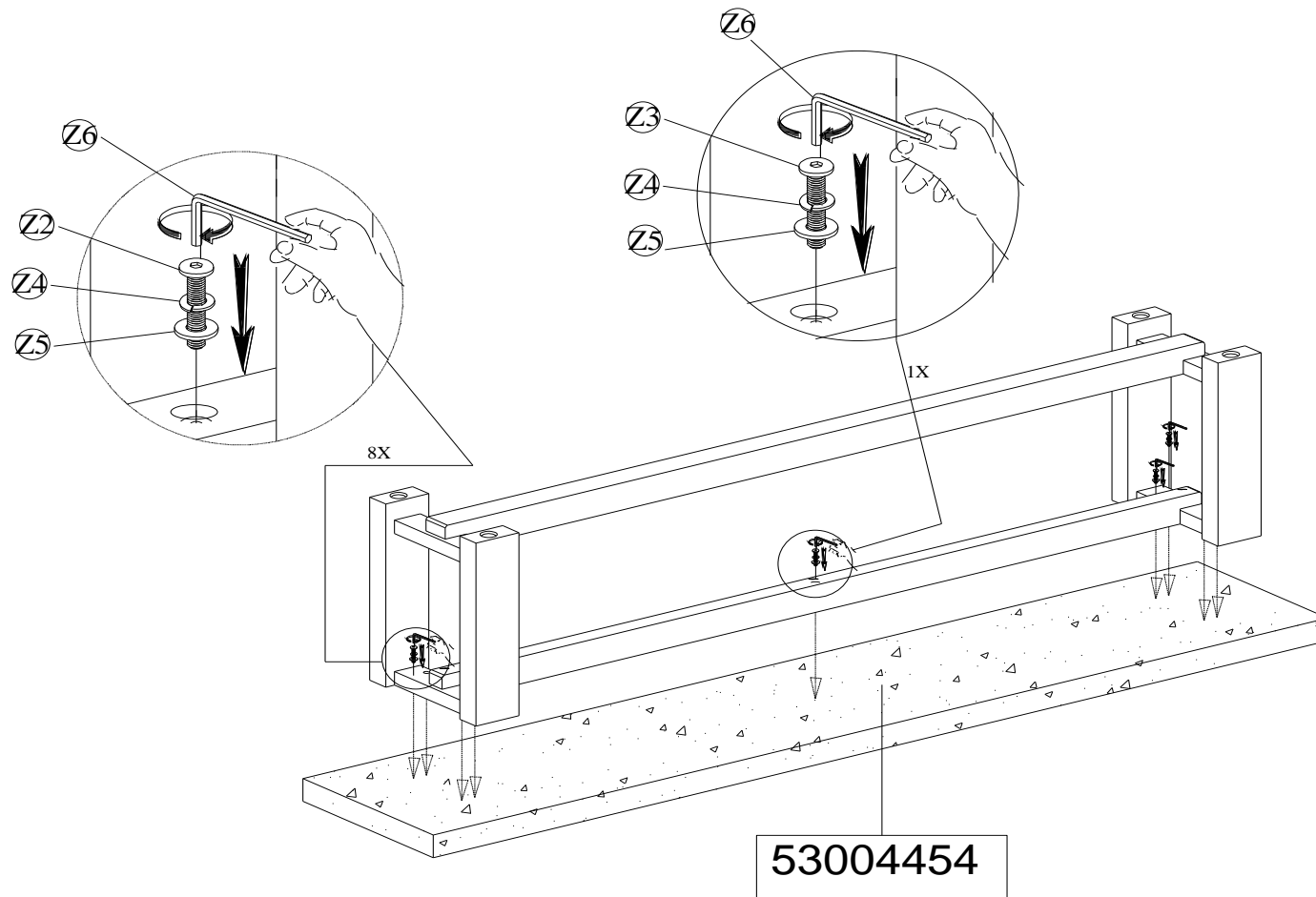
LIVING SPACES

ASSEMBLY INSTRUCTIONS

Vanya Bench 82"
ITEM No.: 53004454



STEP 3





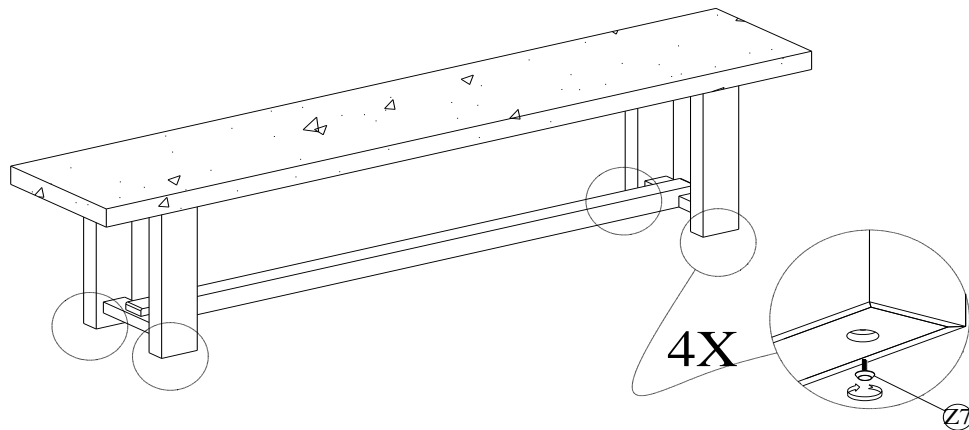
LIVING SPACES

ASSEMBLY INSTRUCTIONS

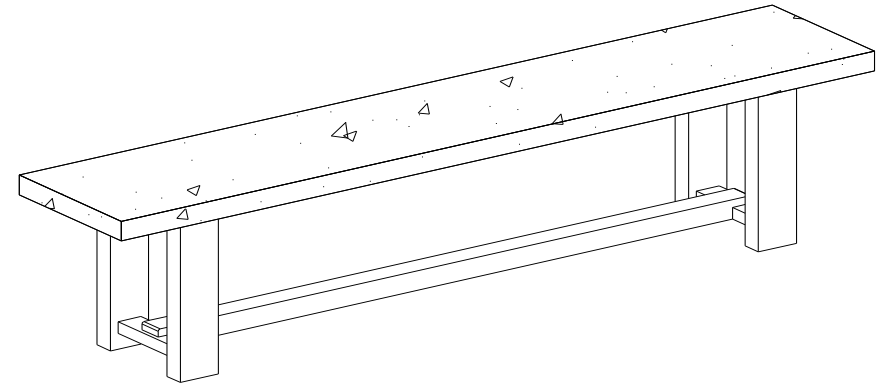
Vanya Bench 82"
ITEM No.: 53004454



STEP 4



STEP 5



Adjustable Floor Glides were pre-installed at the bottom of the legs

NOTE: MUST TIGHTEN SCREWS PERIODICALLY. WITH USE SCREW MAY BE COME LOOSE CHECK TIGHTNESS OF ALL SCREWS EVERY 6-8 WEEKS.

CLEANING INSTRUCTIONS

After assembly, clean & polish the completed parts if necessary with soft cloth and industrial recognized furniture polish.