

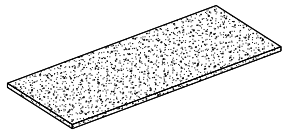
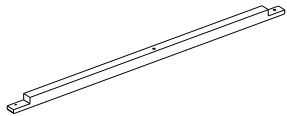
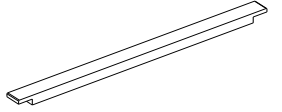


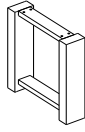
# LIVING SPACES

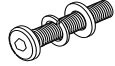
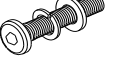




## ASSEMBLY INSTRUCTIONS

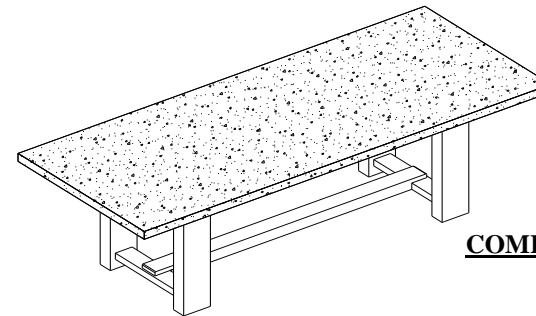
Vanya Rectangular Dining Table 94" TOP/BASE  
 ITEM No.: 51031067T/ 51031067B - TOP/BASE



<b>(BOX 1)</b> Box of Table Top / Top Support/ Stretcher			
SKU#	IMAGE	DESCRIPTION	QUANTITY
51031067T		Table Top	1
		Top Support	1
		Stretcher	1

<b>(BOX 2)</b> Box of Table Legs			
SKU#	IMAGE	DESCRIPTION	QUANTITY
51031067B		Leg	2

<b>(BOX 1)</b> Table Top / Top Support/ Stretcher Hardware List			
SKU#	IMAGE	DESCRIPTION	QUANTITY
Z1 Z4 Z5		Allen Bolt: Ø 8 x 50mm Spring Washer: Ø 8 x 12 x 2mm Washer: Ø 8 x 16 x 2mm	6
Z2 Z4 Z5		Allen Bolt: Ø 8 x 90mm Spring Washer: Ø 8 x 12 x 2mm Washer: Ø 8 x 16 x 2mm	1
Z3 Z4 Z6		Bolt: Ø 8 x 70mm Spring Washer: Ø 8 x 12 x 2mm Washer: Ø 8 x 19 x 2mm	8
Z7		Allen Key Ø4 x 59mm	1
Z8		Open Wrench Ø13	1
Z9		Adjustable Floor Glide (Pre-installed at the bottom of the legs)	4



**COMPLETED DINING TABLE**  
**ASSEMBLY**

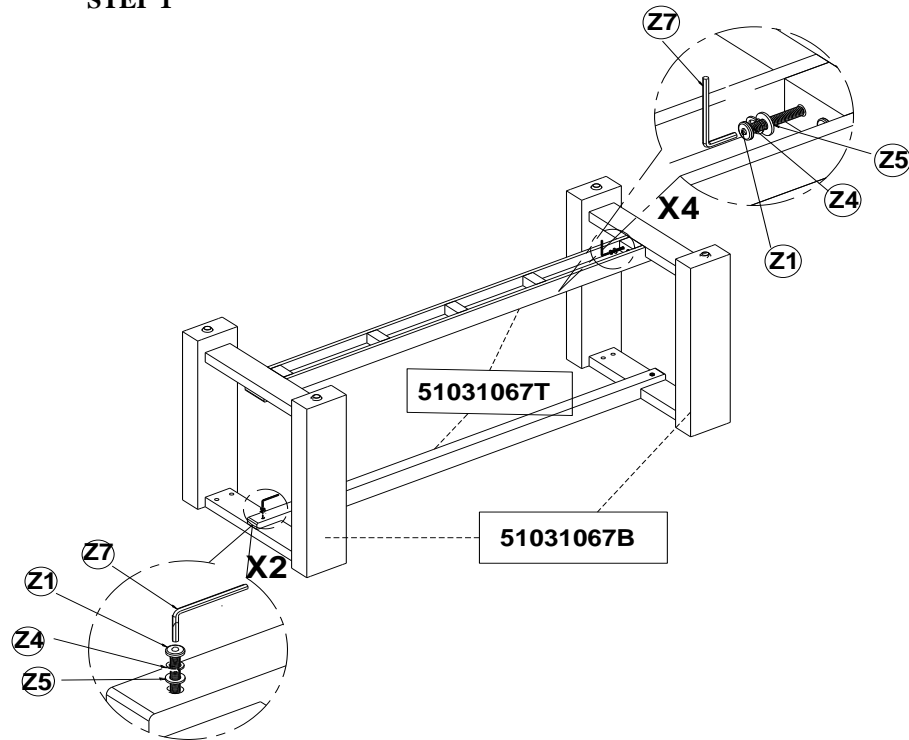


# LIVING SPACES ASSEMBLY INSTRUCTIONS

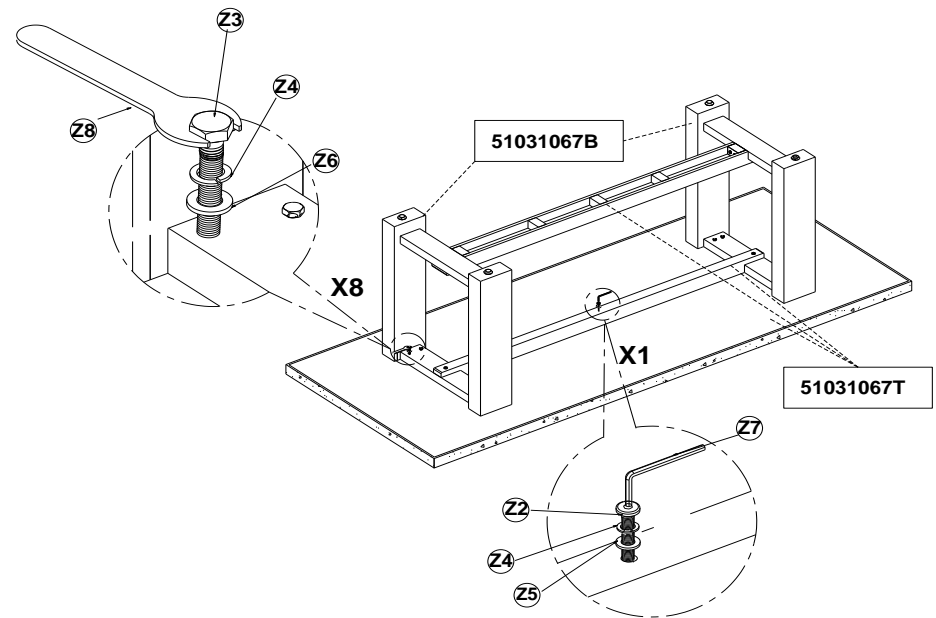
Vanya Rectangular Dining Table 94" TOP/BASE  
ITEM No.: 51031067T/ 51031067B - TOP/BASE



## STEP 1



## STEP 2





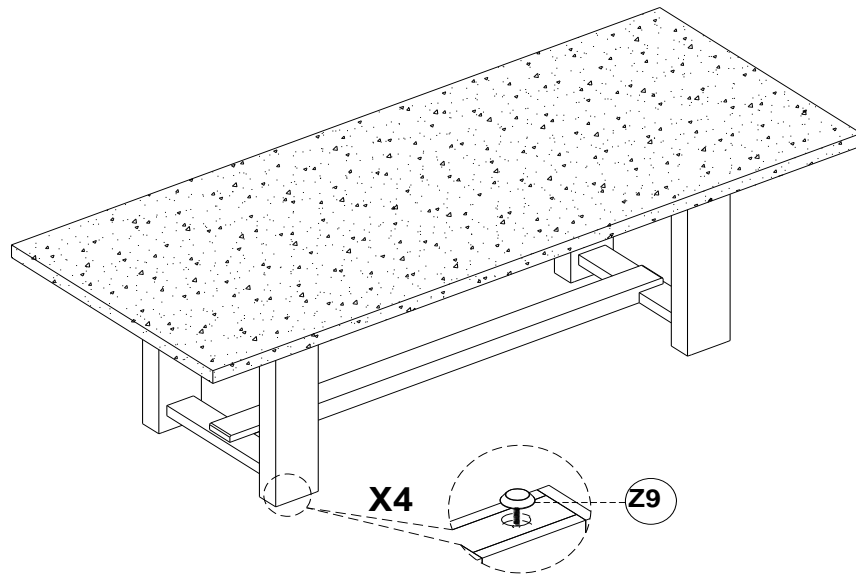
# LIVING SPACES

## ASSEMBLY INSTRUCTIONS

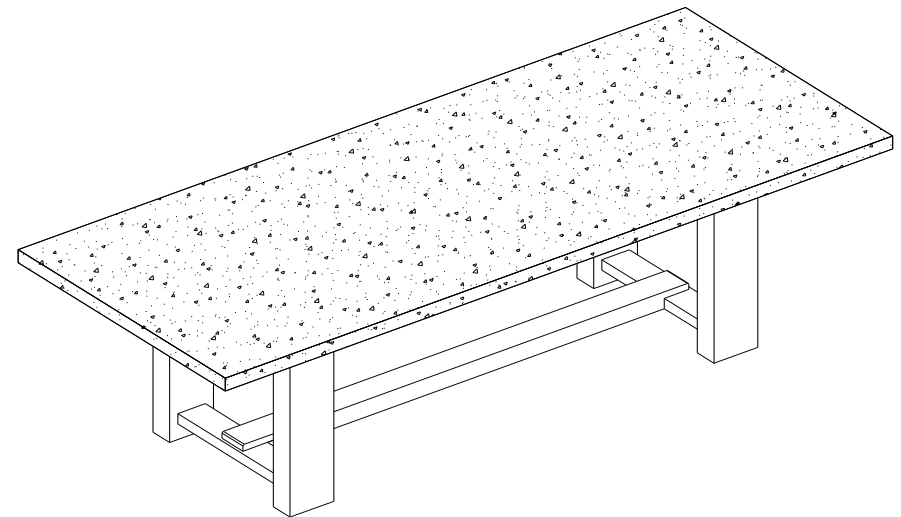
Vanya Rectangular Dining Table 94" TOP/BASE  
ITEM No.: 51031067T/ 51031067B - TOP/BASE



STEP 3



STEP 4



Adjustable Floor Glides were pre-installed at the bottom of the legs

**NOTE: MUST TIGHTEN SCREWS PERIODICALLY. WITH USE SCREW MAY BE COME LOOSE CHECK TIGHTNESS OF ALL SCREWS EVERY 6-8 WEEKS.**

### CLEANING INSTRUCTIONS

After assembly, clean & polish the completed parts if necessary with soft cloth and industrial recognized furniture polish.