

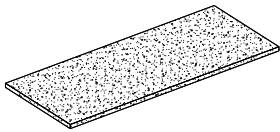
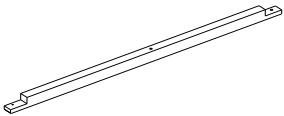
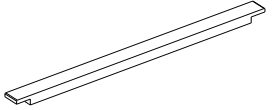


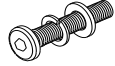
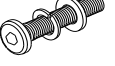




LIVING SPACES

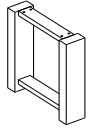
ASSEMBLY INSTRUCTIONS

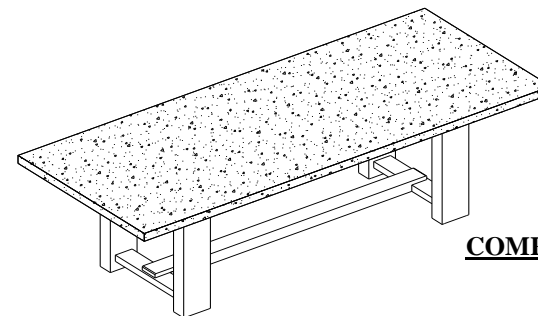
Vanya Rectangular Dining Table 94" TOP/BASE
 ITEM No.: 51031067T/ 51031067B - TOP/BASE



(BOX 1) Box of Table Top / Top Support/ Stretcher			
SKU#	IMAGE	DESCRIPTION	QUANTITY
51031067T		Table Top	1
		Top Support	1
		Stretcher	1

(BOX 1) Table Top / Top Support/ Stretcher Hardware List			
SKU#	IMAGE	DESCRIPTION	QUANTITY
Z1 Z4 Z5		Allen Bolt: Ø 8 x 50mm Spring Washer: Ø 8 x 12 x 2mm Washer: Ø 8 x 16 x 2mm	6
Z2 Z4 Z5		Allen Bolt: Ø 8 x 90mm Spring Washer: Ø 8 x 12 x 2mm Washer: Ø 8 x 16 x 2mm	1
Z3 Z4 Z6		Bolt: Ø 8 x 70mm Spring Washer: Ø 8 x 12 x 2mm Washer: Ø 8 x 19 x 2mm	8
Z7		Allen Key Ø4 x 59mm	1
Z8		Open Wrench Ø13	1
Z9		Adjustable Floor Glide (Pre-installed at the bottom of the legs)	4

(BOX 2) Box of Table Legs			
SKU#	IMAGE	DESCRIPTION	QUANTITY
51031067B		Leg	2



COMPLETED DINING TABLE
ASSEMBLY

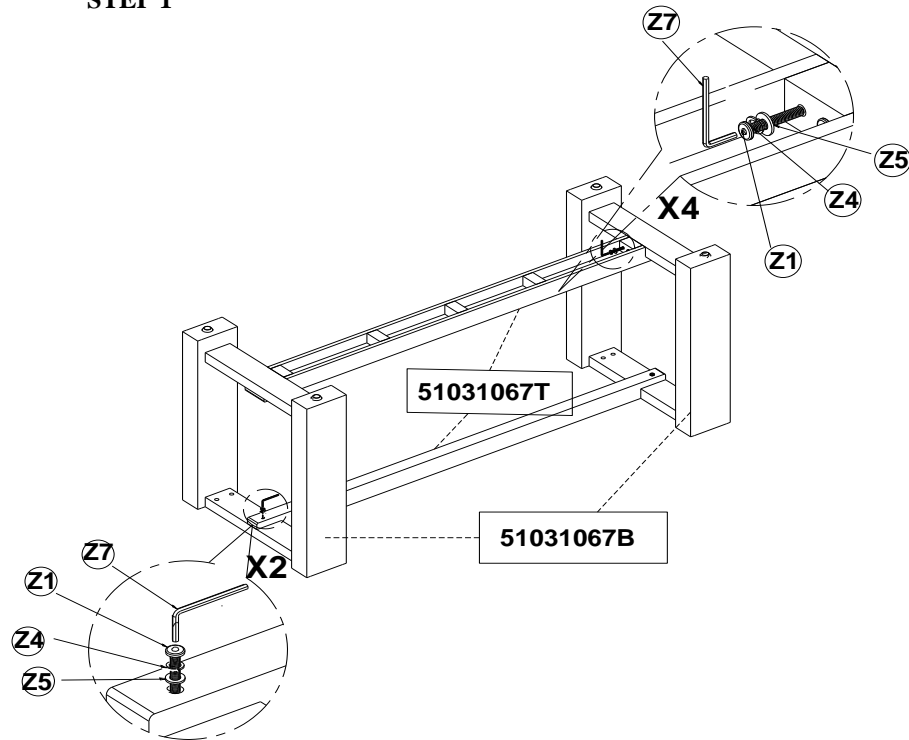


LIVING SPACES ASSEMBLY INSTRUCTIONS

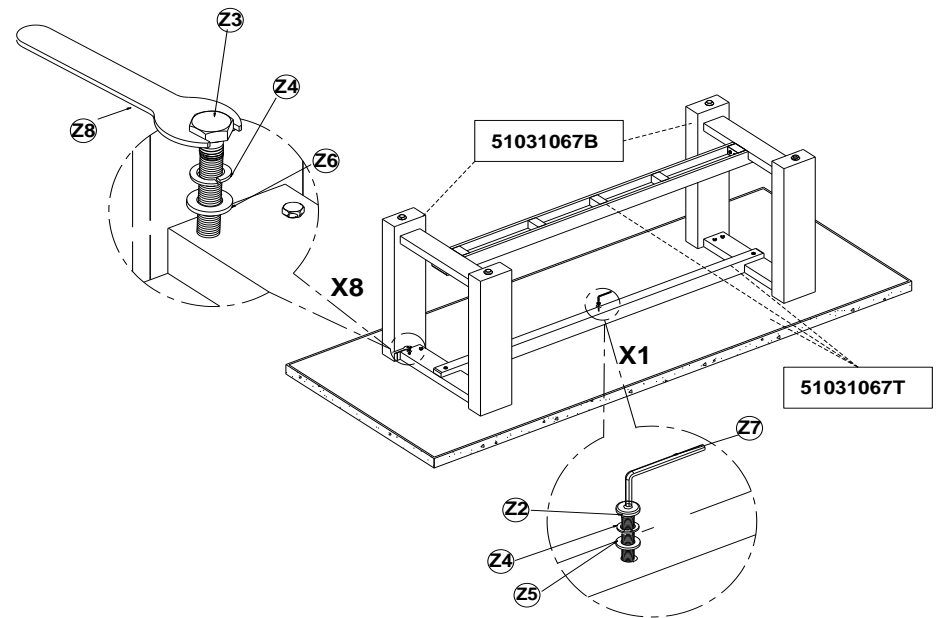
Vanya Rectangular Dining Table 94" TOP/BASE
ITEM No.: 51031067T/ 51031067B - TOP/BASE



STEP 1



STEP 2





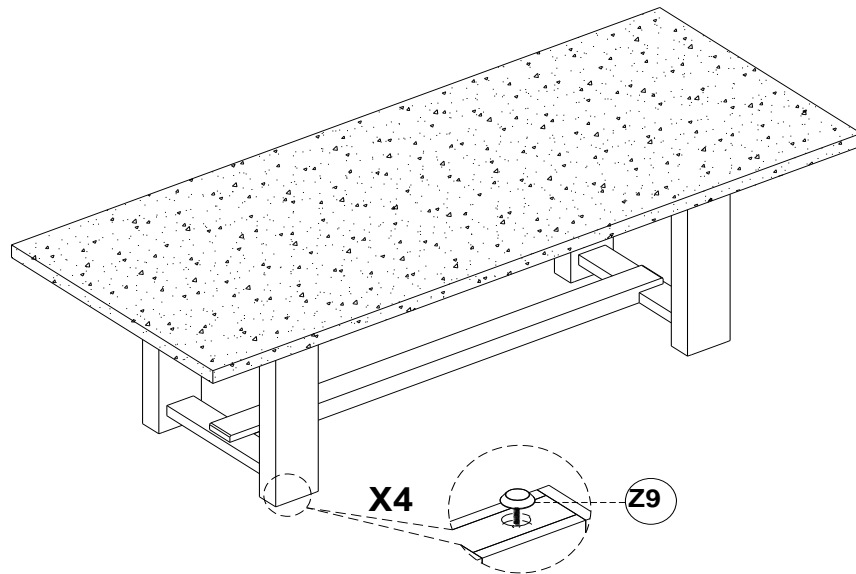
LIVING SPACES

ASSEMBLY INSTRUCTIONS

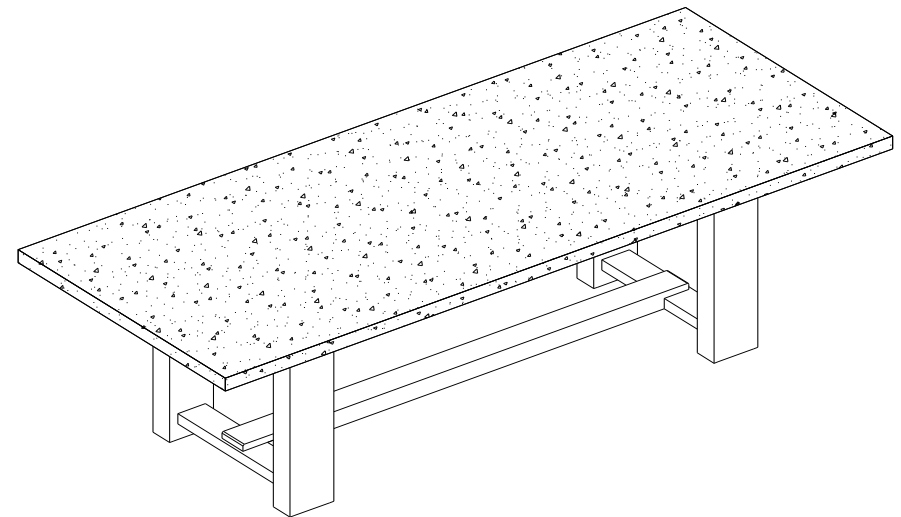
Vanya Rectangular Dining Table 94" TOP/BASE
ITEM No.: 51031067T/ 51031067B - TOP/BASE



STEP 3



STEP 4



Adjustable Floor Glides were pre-installed at the bottom of the legs

NOTE: MUST TIGHTEN SCREWS PERIODICALLY. WITH USE SCREW MAY BE COME LOOSE CHECK TIGHTNESS OF ALL SCREWS EVERY 6-8 WEEKS.

CLEANING INSTRUCTIONS

After assembly, clean & polish the completed parts if necessary with soft cloth and industrial recognized furniture polish.