



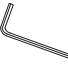


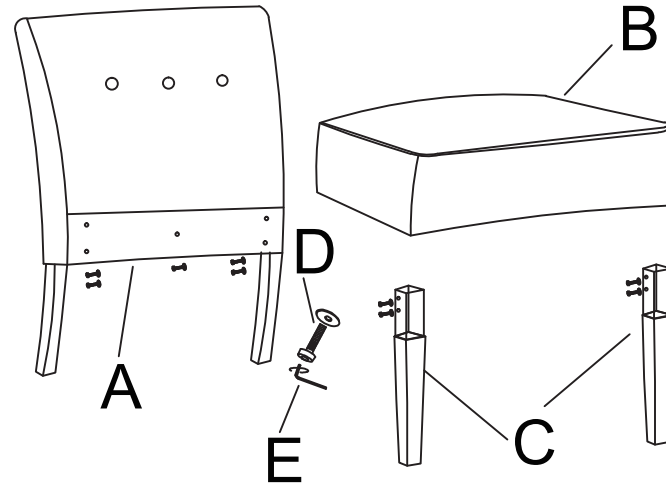
PARTS LIST

No.	DESCRIPTION	IMAGE	Q'TY
A	BACK		1
B	SEAT		1
C	LEG		2
D	SCREW&WASHER		9
E	WRENCH		1

NOTE: PO # is located underneath/ at the back side of each item. Please be prepared to provide this # should any claim be necessary.

CAUTION: Item is heavy. Assembly should be performed by two people.

1



2

