






Vendor Information	
Vendor Name:	LSMX1
Vendor Code:	V-005852

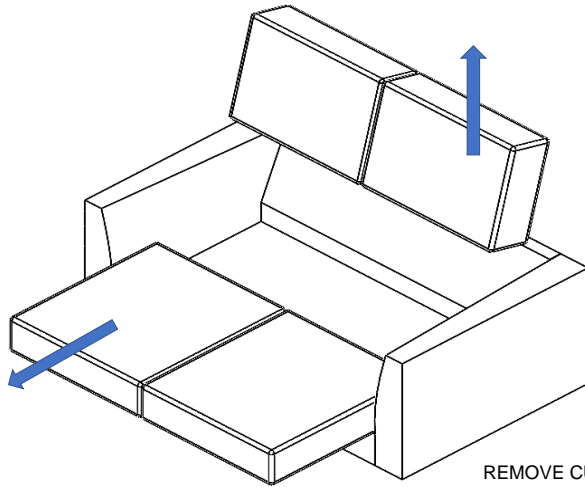
Living Space Information	
LS SKU:	313053
LS product Name:	AMI SIATE LOVESEAT
Vendor Model #	1081-LSEAT-AM-SLA
Vendor Collection:	AMI

CODE	PART #	DESCRIPTION	SHIPS IN 48 HRS	QUANTITY	PRICING	NOTES
A	PLCALAIS	LATERAL LEG	YES	4		
B	PLCALCEN	CENTRAL LEG	YES	1		



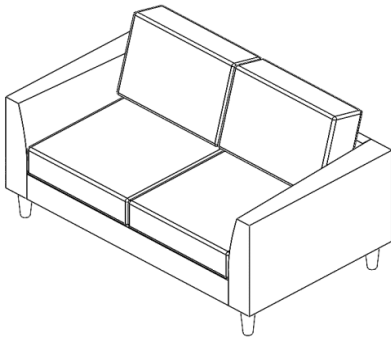
A	PLCALAIS	 X4
B	PLCALCEN	 X1
1	313018 / 313053	 X1

STEP 1:

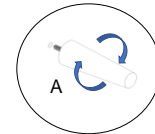
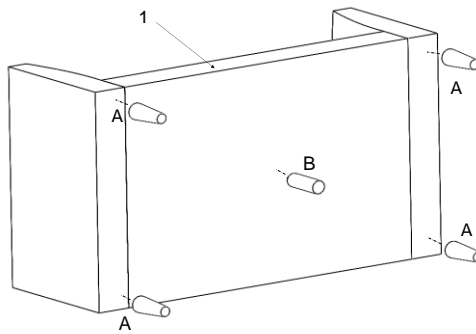


REMOVE CUSHIONS

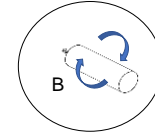
LOVESEAT AMI



STEP 2:



TURN RIGHT ONLY USE HAND



TURN RIGHT ONLY USE HAND

