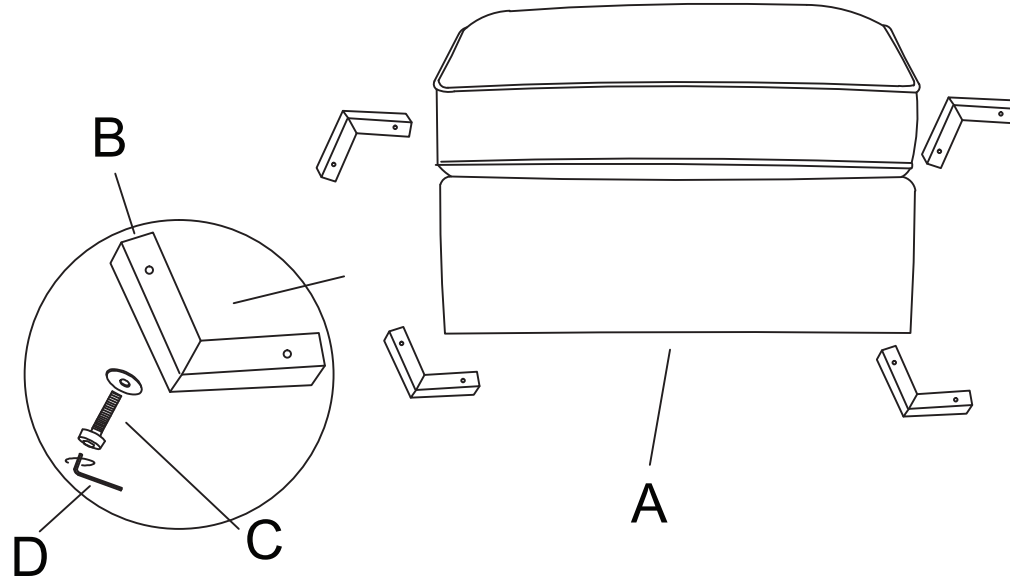


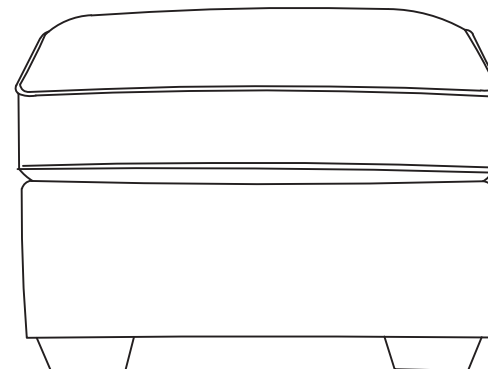
PARTS LIST

No.	DESCRIPTION	IMAGE	Q'TY
A	OTTOMAN		1
B	LEG		4
C	SCREW & WASHER		8
D	WRENCH		1

1



2



NOTE: PO # is located underneath/ at the back side of each item. Please be prepared to provide this # should any claim be necessary.

CAUTION: Item is heavy. Assembly should be performed by two people.