

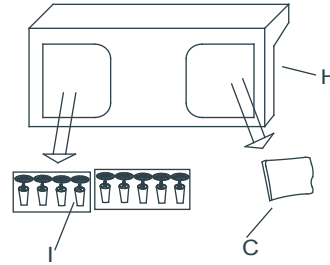
PARTS LIST

No.	DESCRIPTION	IMAGE	Q'TY
A	LEFT BACK		1
B	MIDDLE BACK		1
C	RIGHT BACK		1
D	LEFT SEAT		1
E	MIDDLE SEAT		1
F	REVESIBLE CHAISE SEAT CUSHION		1
G	CHAISE OTTMAN SEAT		1
H	SOFA SEAT		1
I	LEG		9
J	PILLOW		2

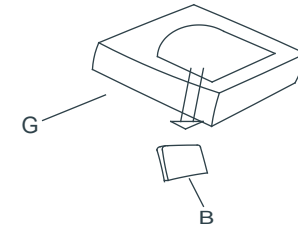
NOTE: PO # is located underneath/ at the back side of each item. Please be prepared to provide this # should any claim be necessary.

CAUTION: Item is heavy. Assembly should be performed by two people.

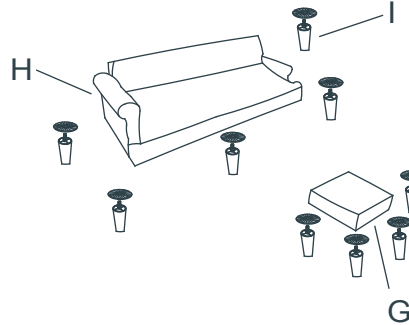
1



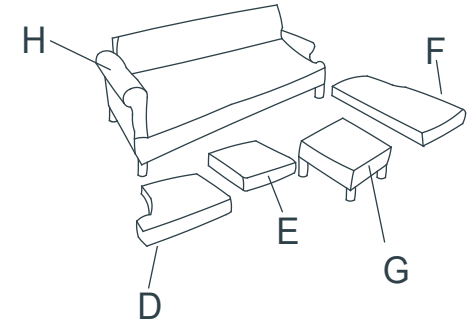
2



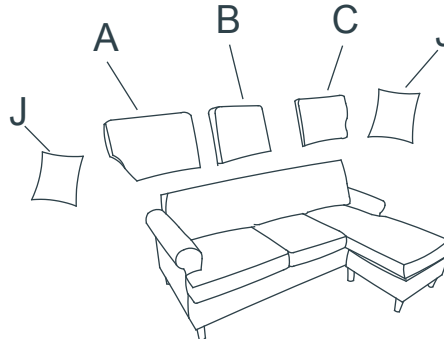
3



4



5



6

