

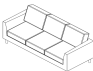




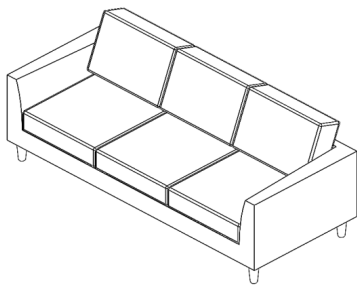
Vendor Information
 Vendor Name: LSMX1
 Vendor Code: V-005852

Living Space Information
 LS SKU: 313013
 LS product Name: AMI SLATE SOFA
 Vendor Model #: 1080-S-AM-SLA
 Vendor Collection: AMI

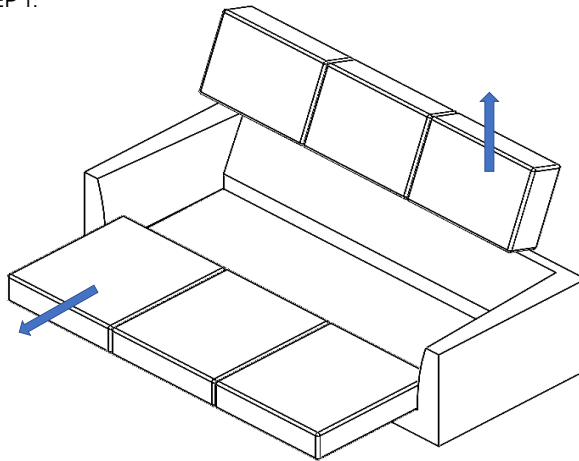
CODE	PART #	DESCRIPTION	SHIPS IN 48 HRS	QUANTITY	PRICING	NOTES
A	PLCALAIS	LATERAL LEG	YES	4		
B	PLCALCEN	CENTRAL LEG	YES	1		

LIVING SPACES		
A	PLCALAIS	 X4
B	PLCALCEN	 X1
1	313013 / 313055	 X1

SOFA AMI

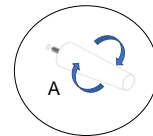
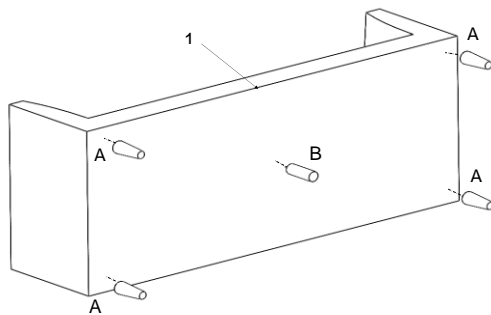


STEP 1:

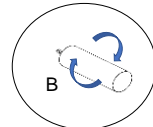


REMOVE CUSHIONS

STEP 2:



TURN RIGHT ONLY USE HAND



TURN RIGHT ONLY USE

