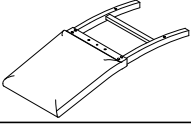
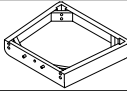
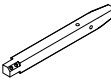
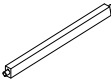


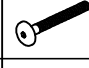
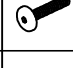


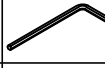
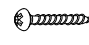


ASSEMBLY INSTRUCTIONS
INSTRUCCIONES

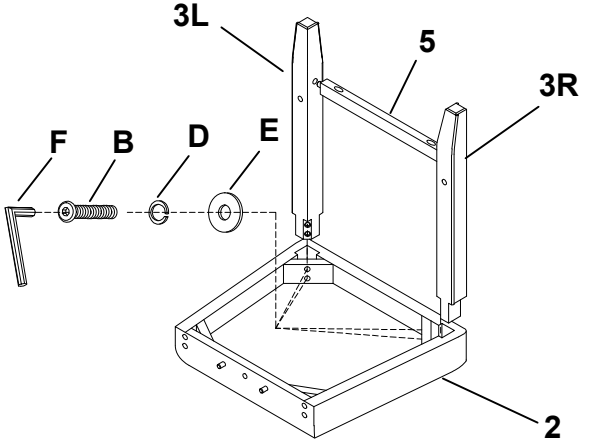
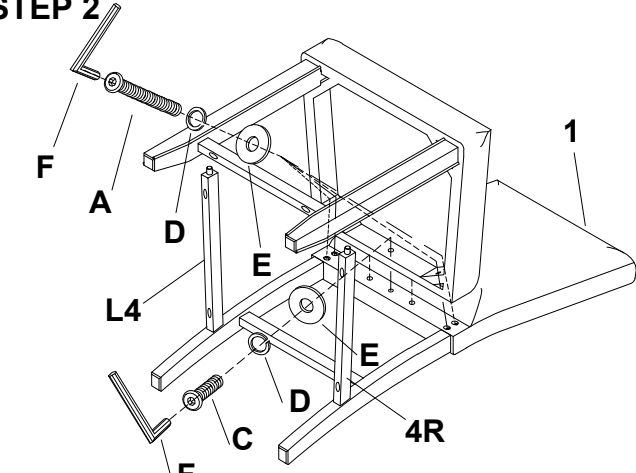
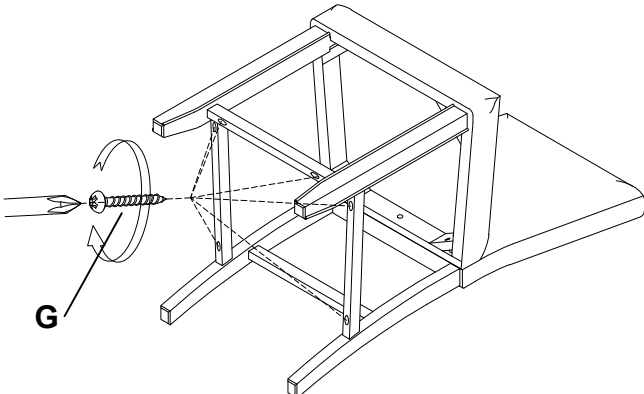
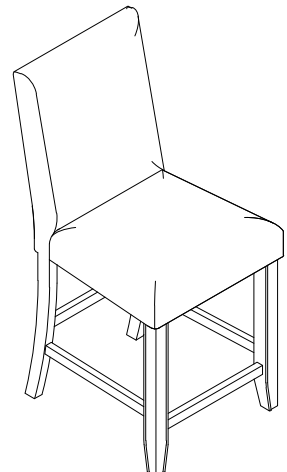
2731S-24/2731S-24-NH (COUNTER HIGH CHAIR)
2731S-24/2731S-24-NH (SILLA ALTA DE MOSTRADOR)

PARTS LIST
LISTA DE PARTES

| | | |
|---|---|---|
| 1 |  | 1PC / PIEZA |
| 2 |  | 1PC / PIEZA |
| 3 |  | 2PCS / PIEZAS L=1PC / PIEZA R=1PC / PIEZA |
| 4 |  | 2PCS / PIEZAS L=1PC / PIEZA R=1PC / PIEZA |
| 5 |  | 1PC / PIEZA |

| | | | |
|---|---|--|---------------|
| A |  | BOLT 1/4"*20*3" (chair back leg corner) | 4PCS / PIEZAS |
| B |  | BOLT 1/4"*20*2" (front leg) | 4PCS / PIEZAS |
| C |  | BOLT 1/4"*20*1-1/2" (chair back center) | 1PC / PIEZAS |
| D |  | SPRING WASHER 1/4"*12mm | 9PCS / PIEZAS |
| E |  | FLAT WASHER 1/4"*19mm | 9PCS / PIEZAS |
| F |  | ALLEN WRENCH 4mm | 1PC / PIEZA |
| G |  | SCREW 1-1/2" | 6PCS / PIEZAS |

ASSEMBLY INSTRUCTIONS
INSTRUCCIONES

| | |
|--|--|
| <p>STEP 1</p>  | <p>STEP 2</p>  |
| <p>STEP 3</p>  | <p>STEP 4</p>  |

DO NOT TIGHTEN ALL BOLTS UNTIL COMPLETELY ASSEMBLED.
NO APRETAR LOS TORNILLOS HASTA ARMAR COMPLETAMENTE.