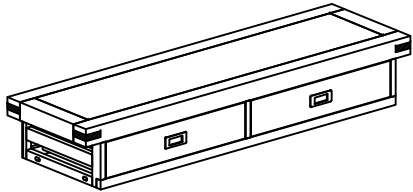
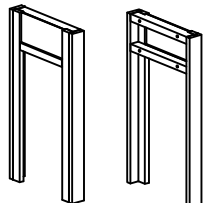
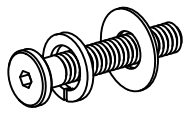

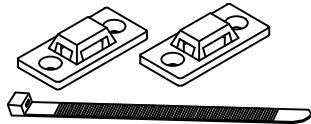



Parts List

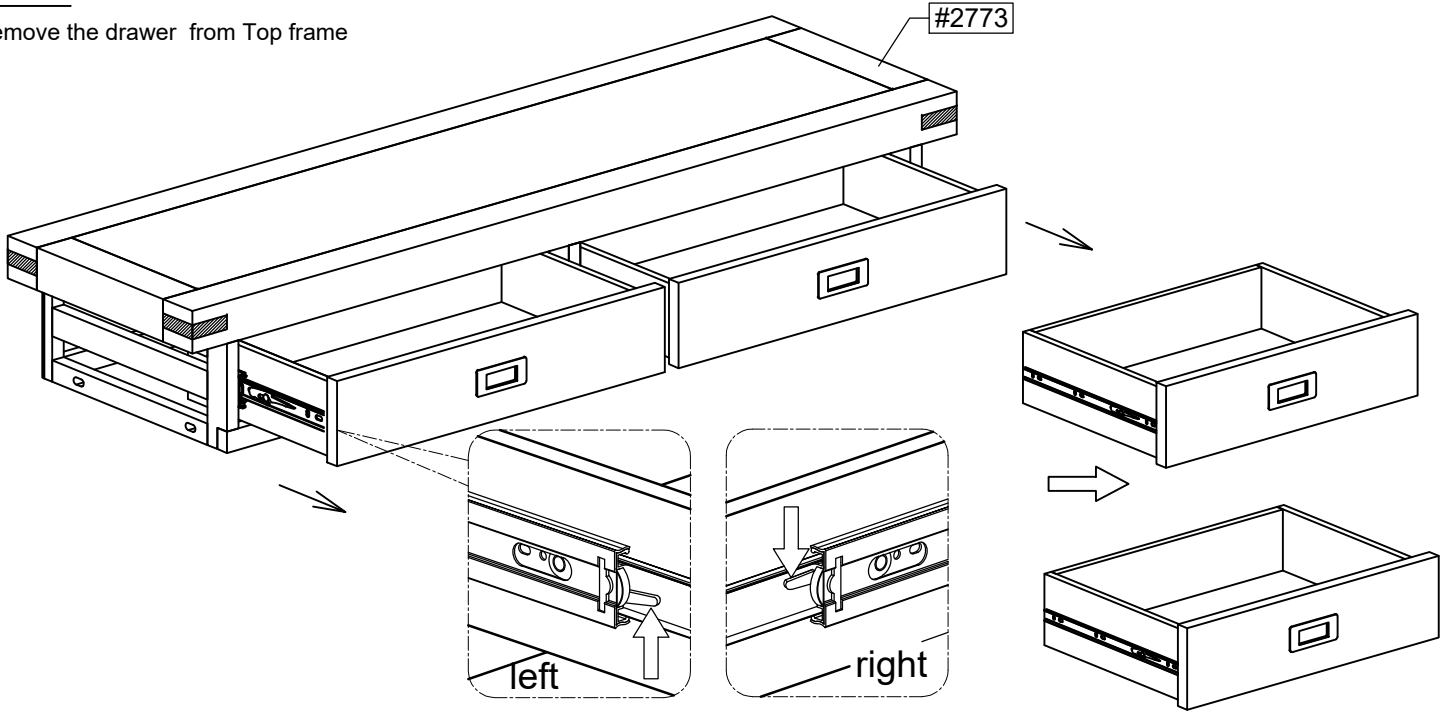
Sku #	Image	Description	Q.ty
#2773		Top Frame	1
#2774		Legs	2

Hardware List

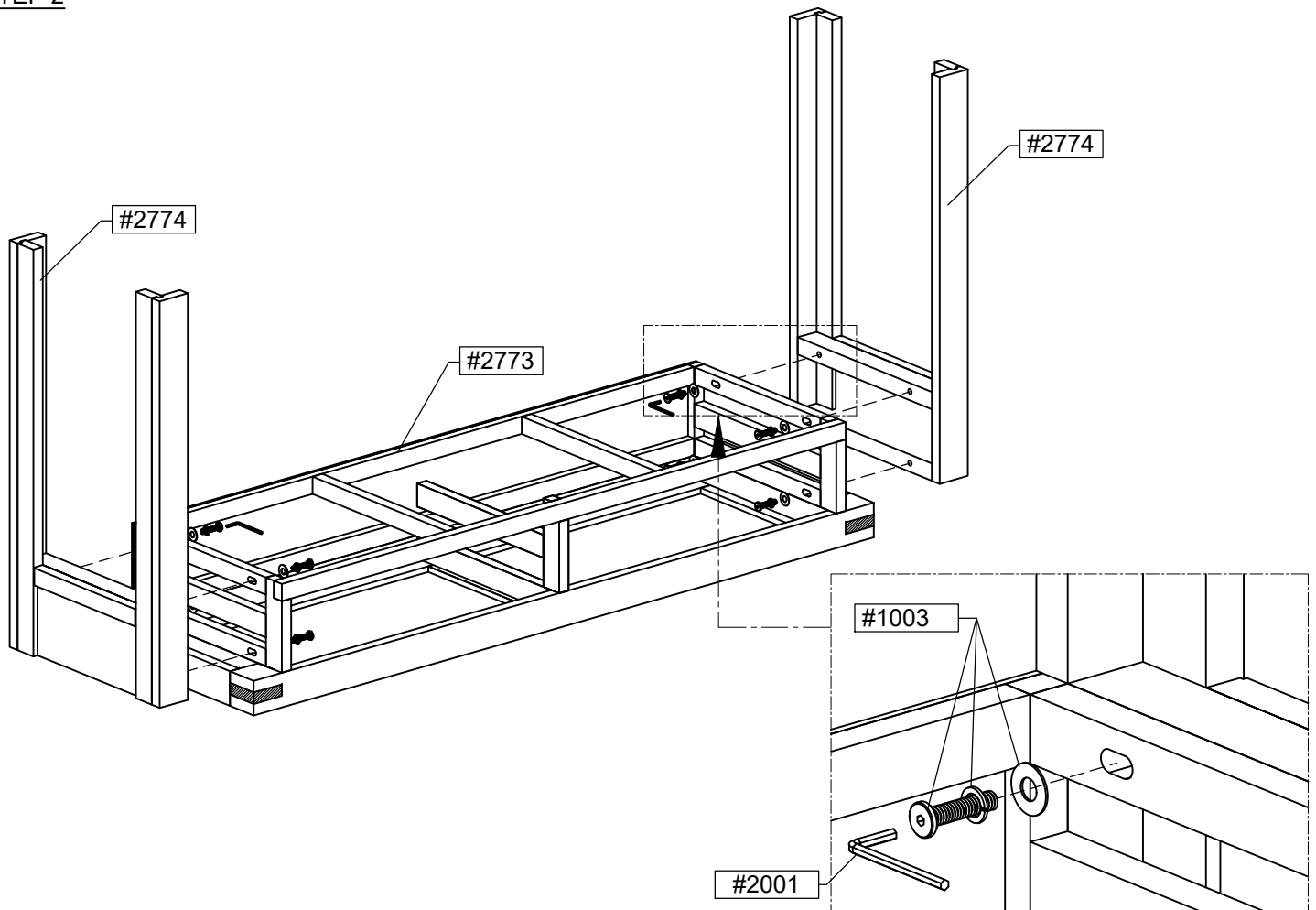
Sku #	Image	Description	Q.ty
#1003		Conection Bolts (M6x40) Spring Washers Flat Washers	8 Sets
#2001		Allen key K4	1 Pc
#5001		Anti-Tip kit	1 set
#4001		Flat head Screw Ø4 x 20	2Pcs

STEP 1

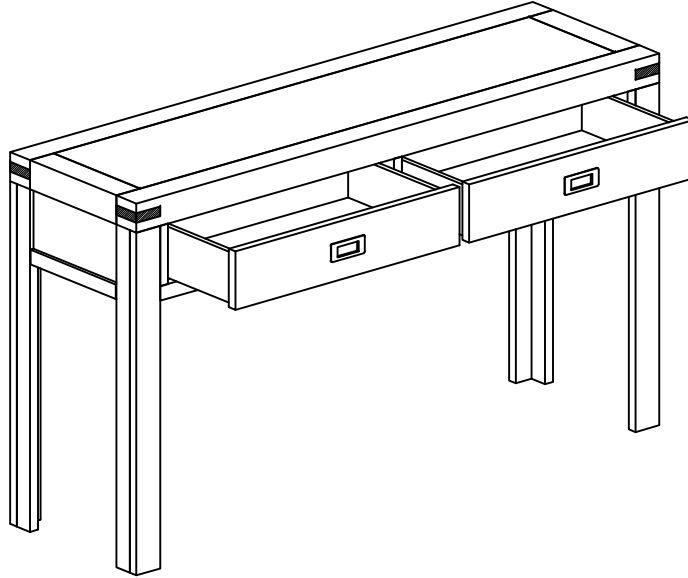
Remove the drawer from Top frame



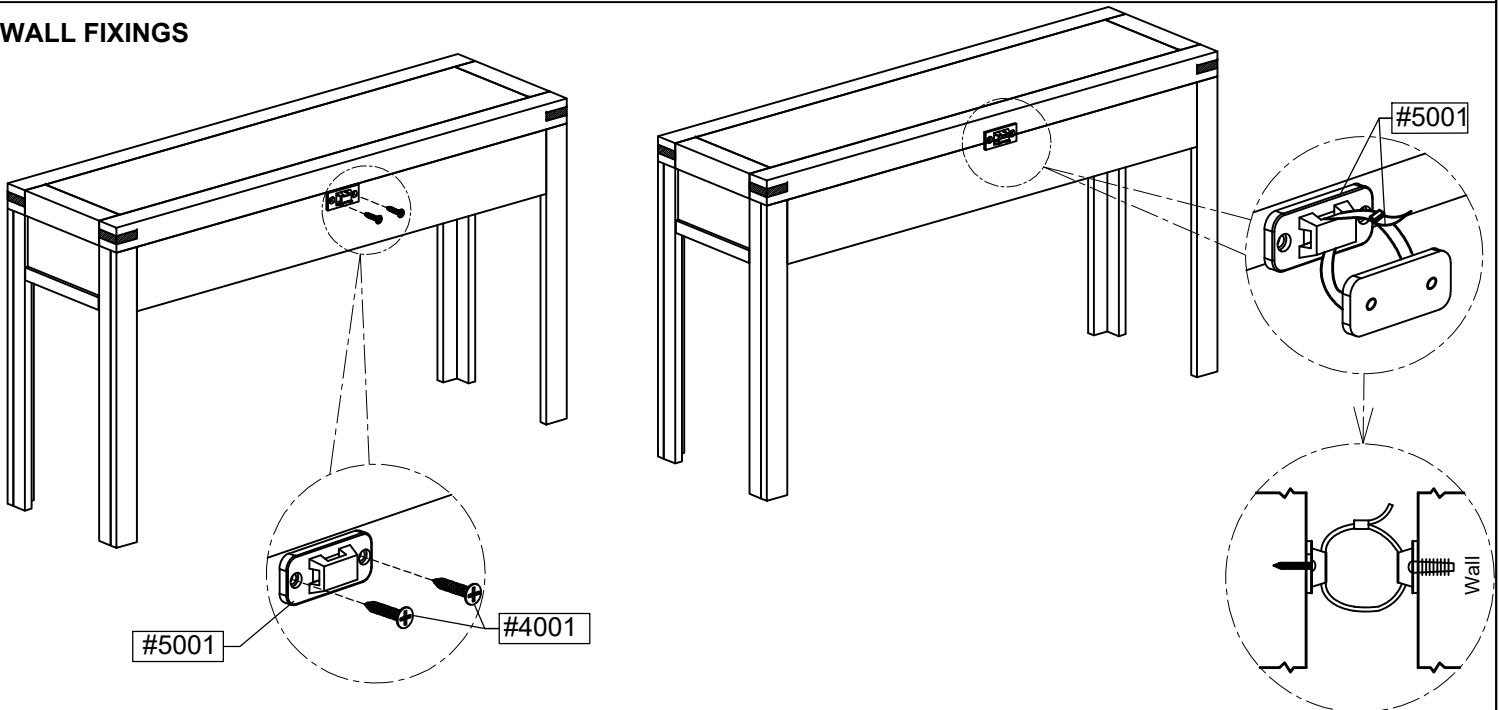
STEP 2



STEP 3



WALL FIXINGS



This wall fixing is provided for your safety and we recommend that once in position the unit is secured to the wall for extra stability

Wall fixings may vary depending on item of furniture purchased.

Wall fittings are not provided as different wall types require different raw plugs and screws.

Please ensure that you use fittings that are suitable for your wall type

THE HARDWARE IS LOCATED IN THE PACKING ITEMS

NOTE: MUST TIGHTEN SCREWS PERIODIACLLY. WITH USE SCREW MAY BECOME LOOSE CHECK TIGHTNESS OF ALL SCREWS EVERY 6-8 WEEKS

CLEANING INSTRUCTIONS

After assembly, clean & polish the completed parts if necessary with soft cloth and industrial recognized furniture polish