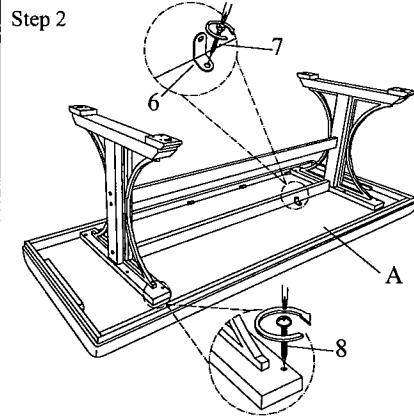
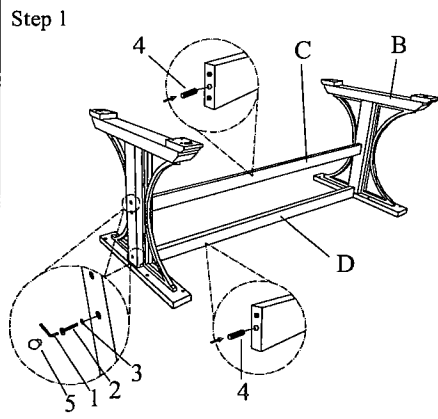
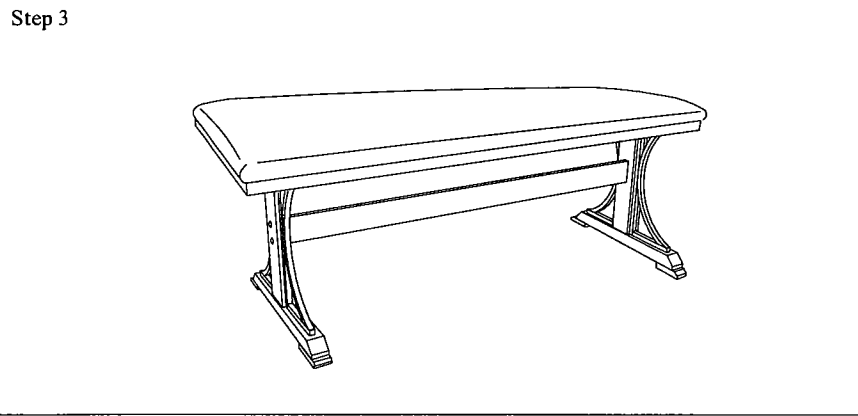


Model : 2131- Bench

ASSEMBLY INSTRUCTION



No	Hardware List	Qty
1	Ball Shape Allen Key M4	1 Pc
2	JCBC M6 x 60mm	6 Pcs
3	Spring Washer M6	6 Pcs
4	PVC Dowel M8 x 30mm	4 Pcs
5	Wood Button	6 Pcs
6	L-Bracket	4 Pcs
7	Penhead Screw M4 x 16mm	8 Pcs
8	Penhead Screw M4 x 25mm	8 Pcs



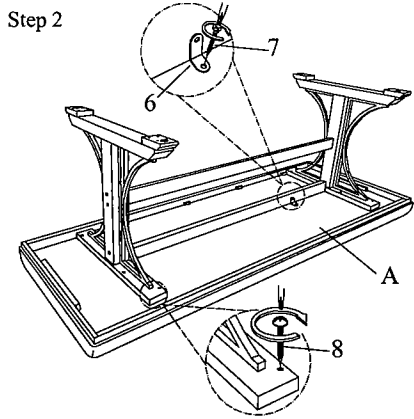
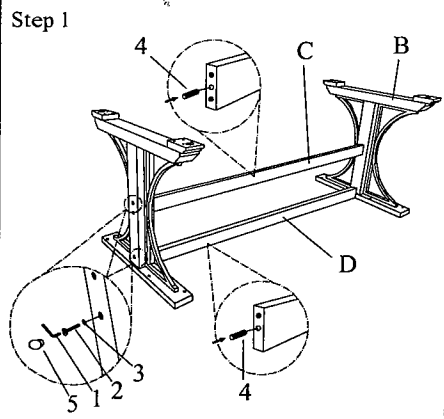
Part List

A	B
C	D

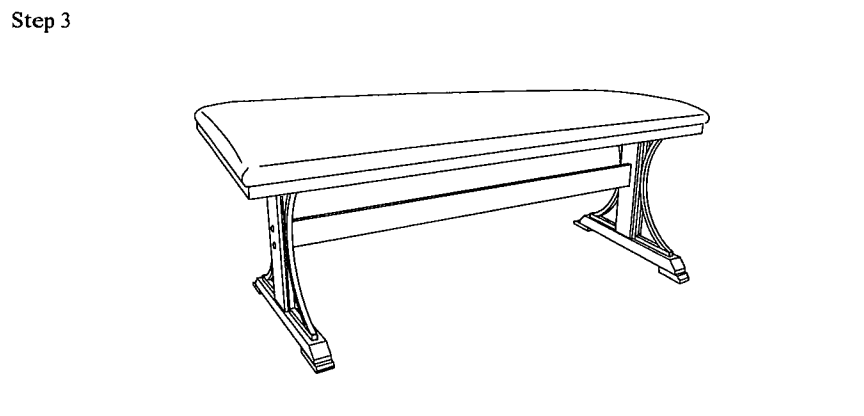
*** Notes : 1. Do not fully tighten the nut or bolt until all nuts and bolts are attached.
2. Do not over tighten the nut or bolt. This will avoid causing damage to the thread.

Model : 2131- Bench

ASSEMBLY INSTRUCTION



No	Hardware List	Qty
1	Ball Shape Allen Key M4	1 Pc
2	JCBC M6 x 60mm	6 Pcs
3	Spring Washer M6	6 Pcs
4	PVC Dowel M8 x 30mm	4 Pcs
5	Wood Button	6 Pcs
6	L-Bracket	4 Pcs
7	Penhead Screw M4 x 16mm	8 Pcs
8	Penhead Screw M4 x 25mm	8 Pcs



Part List

A	B
C	D

*** Notes : 1. Do not fully tighten the nut or bolt until all nuts and bolts are attached.
2. Do not over tighten the nut or bolt. This will avoid causing damage to the thread.