

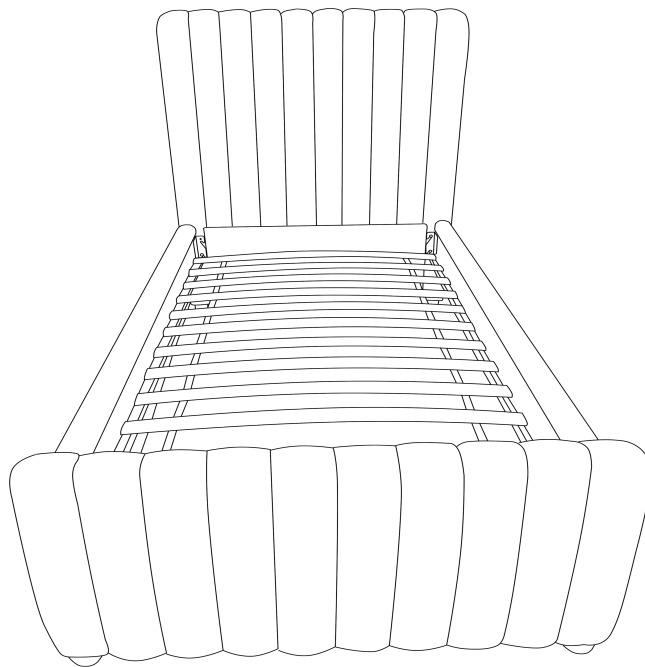


**Angela Trundle Bed**  
**Twin Size**



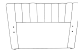


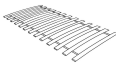

# ANGELA

---




## ASSEMBLY INSTRUCTIONS



## PARTS LIST

LABEL	PICTURE	DESCRIPTION	QTY
<b>A</b>		<b>HEADBOARD</b>	<b>1</b>
<b>B</b>		<b>RAIL</b>	<b>2</b>
<b>C</b>		<b>FOOTBOARD</b>	<b>1</b>
<b>D</b>		<b>HB/FB (TRUNDLE)</b>	<b>2</b>
<b>E</b>		<b>RAIL (TRUNDLE)</b>	<b>2</b>
<b>F</b>		<b>SLAT</b>	<b>2</b>
<b>G</b>		<b>BED LEGS</b>	<b>4</b>

## HARDWARE

<b>H</b>		Slat Bolt M8*30MM	<b>8</b>
<b>I</b>		<b>Wrench</b>	<b>1</b>
<b>J</b>		<b>Wrench</b>	<b>1</b>

## BEFORE BEGINNING ASSEMBLY:



Read instructions cover to cover



Have two adults on hand for assembly



Do NOT assemble on flooring or carpet. Assemble on a clean non-marring surface (ex: packing foam)



Save all packaging until assembly is completed

Need a part? Call TOV at 516-888-3355 or email [service@tovfurniture.com](mailto:service@tovfurniture.com)

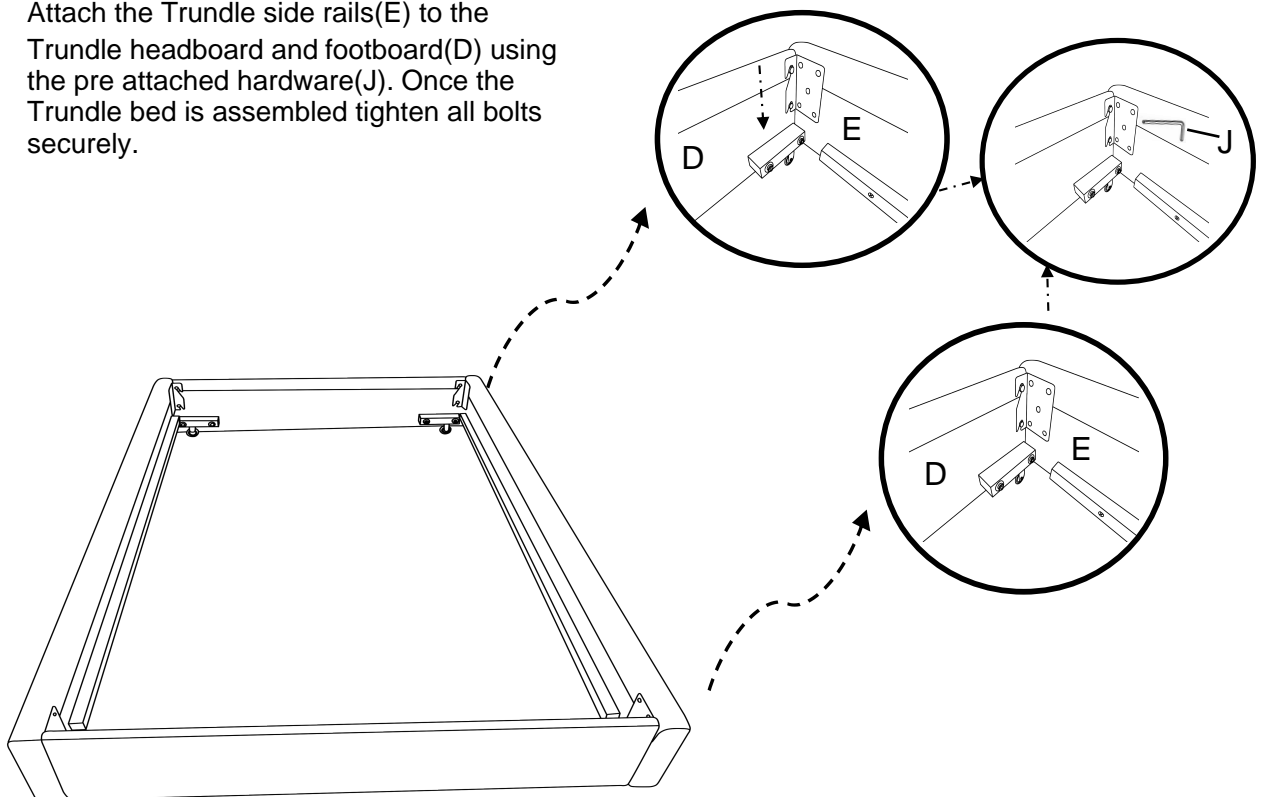
---

## ASSEMBLY STEPS

---

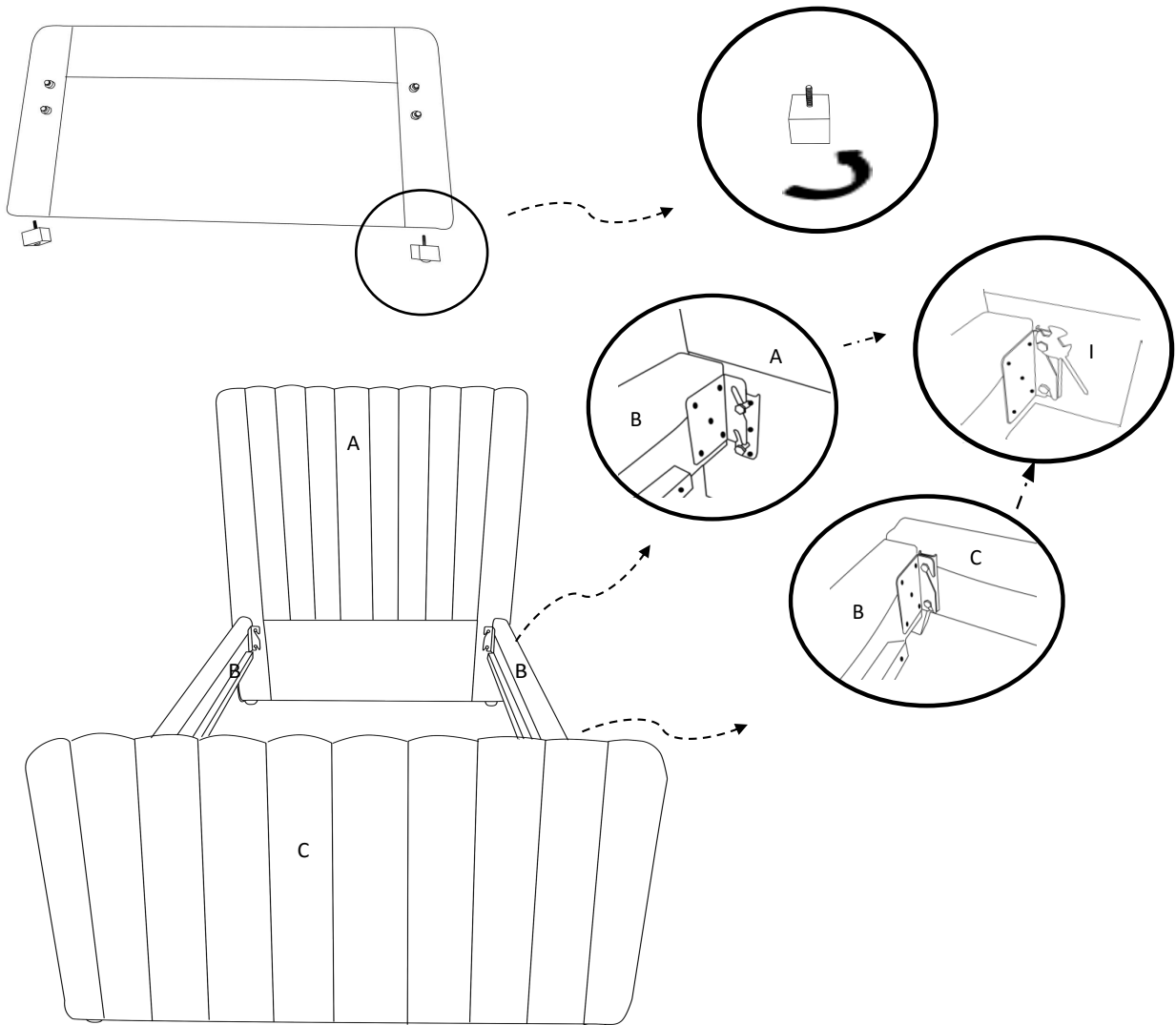
### STEP 1

Attach the Trundle side rails(E) to the Trundle headboard and footboard(D) using the pre attached hardware(J). Once the Trundle bed is assembled tighten all bolts securely.



# ASSEMBLY STEPS

**STEP 2** Attach the bed legs(G) on the headboard and footboard, tighten them clockwise, ensure all legs are securely attached



## STEP 3

Attach the side rails(B) to the headboard (A)and footboard(C) using the pre attached hardware(I).

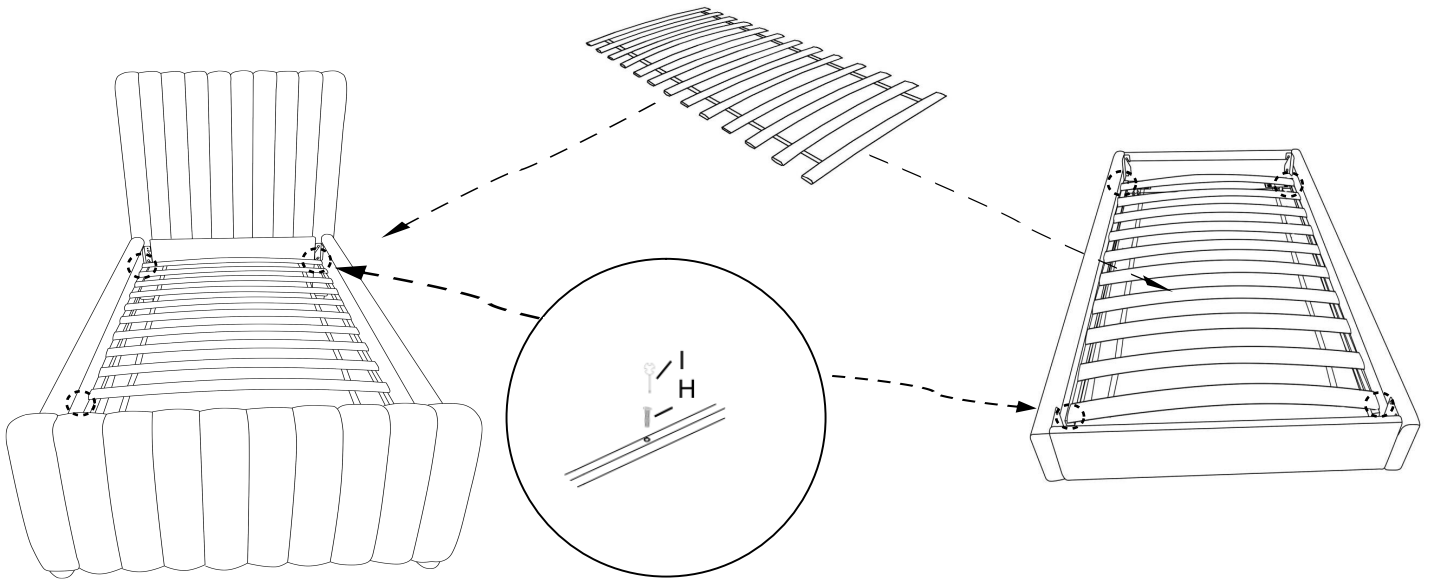
Once the bed is assembled tighten all bolts securely.

# ASSEMBLY STEPS

## STEP 4

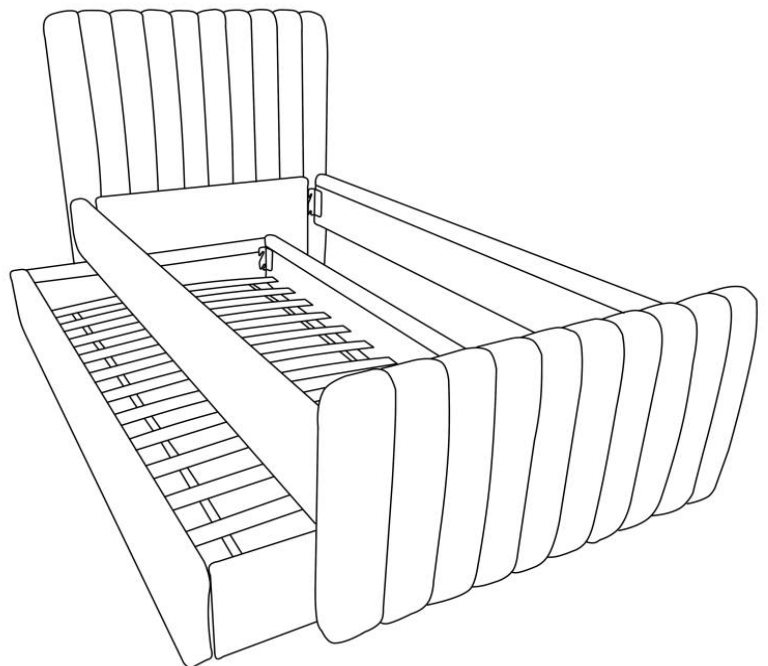
Position the slat frames inside the top bed and the trundle bed, secure them using the slat bolts(H).

Use the included wrench(I) to tighten them.



## STEP 5

Assembly is complete.



## CARE & MAINTENANCE



**Do not put hot items directly on furniture surface.**



**Do not clean furniture with harsh cleansers or polish.**



**Dust and pick up spills using a clean, non-colored, lint-free cloth.**



**Stains may be removed with a mild soap solution and a damp cloth.**



**Do not place furniture under direct sunlight.**



**Do not place furniture near heating or cooling vents.**



**Do not write on furniture without a padded barrier to protect the surface.**



**Do not place furniture outside, for indoor use only.**