



LIVING SPACES

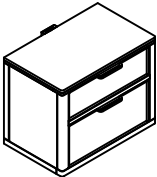

ASSEMBLY INSTRUCTIONS

ITEM 305-P323142
NIGHTSTAND





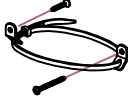
Thank you for purchasing this quality product. Be sure to check all packing material carefully for small hardware which may have come loose inside the carton during shipment. Identify and count all hardware and compare with the hardware list below.

When placing furniture on non-carpeted flooring, HMI recommends the use of floor protection such as an area rug or furniture pads. Area rugs and padding not included with purchase.

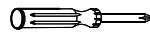
PARTS LIST

No.	Description	Sketch	Quantity
1	NIGHTSTAND		1
2	METAL LEG		4

HARDWARE LIST

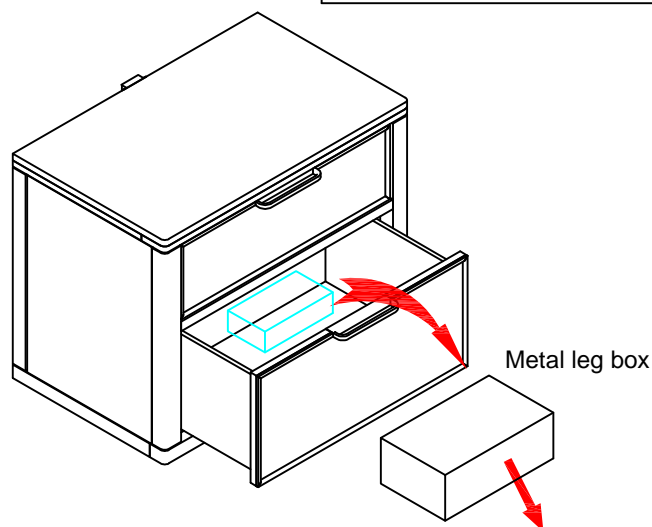
No.	Description	Sketch	Side	Quantity
A	Allen Bolt		ø5/16"x25mm	12
B	Lock washer		ø5/16"	12
C	Flat washer		ø5/16"*19*2mm	12
D	Allen key		ø5/16"	1
E		Anti- Tipping Restraint		1

TOOLS REQUIRED (NOT PROVIDED)



PHILLIPS SCREWDRIVER

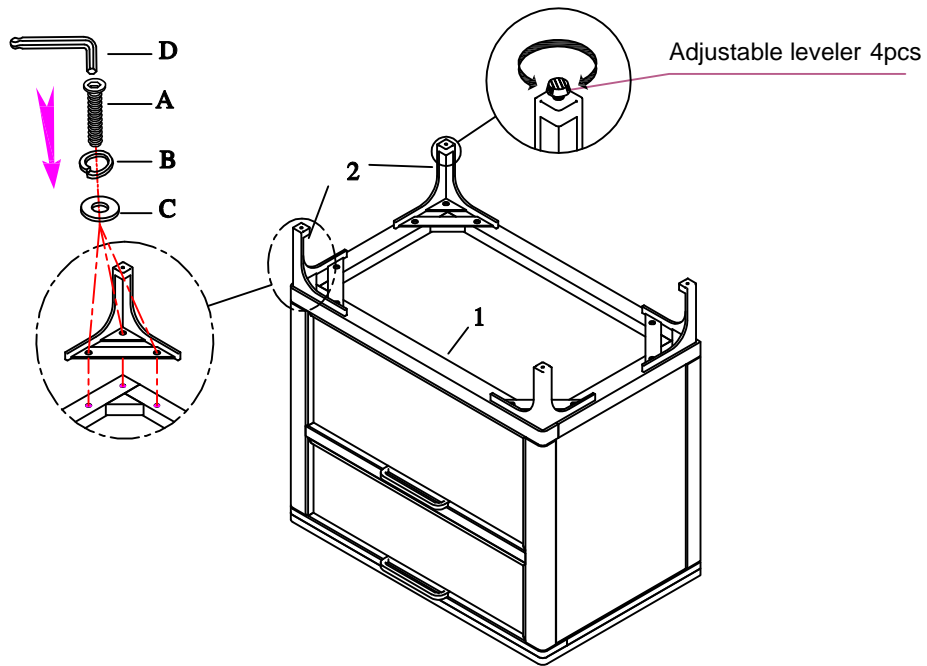
STEP 1



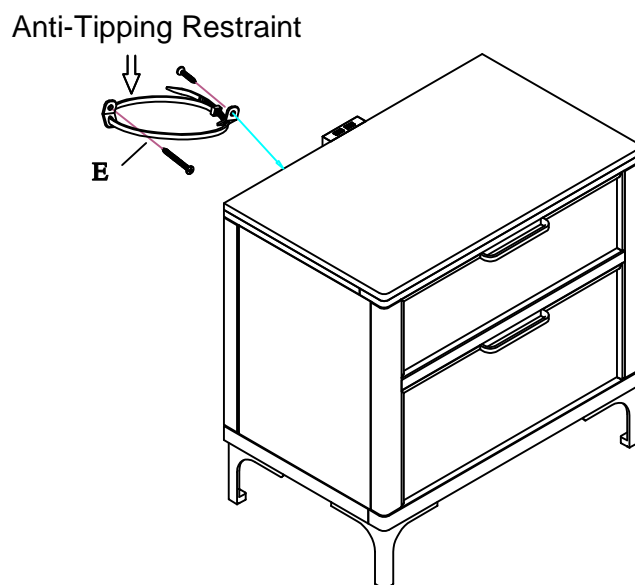
ASSEMBLY INSTRUCTIONS

ITEM 305-P323142
NIGHTSTAND

STEP 2

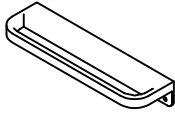


STEP 3



REPLACEMENT PARTS

**ITEM 305-P323142
NIGHTSTAND**



x2 RP323142-PULL-Pull with screw



x1 RP323142 HWKIT-Hardware Kit



x2 COMGLIDE-10"-35-Common Glide10inch 35mm



x4 RC-FG BROWN- Brown Leveler



x1 RC-ANTI-TIP - Anti-Tipping Restraint