



H O M E E L E G A N C E

## ASSEMBLY INSTRUCTION INSTRUCTIONS D'ASSEMBLAGE

Item No : B1799-HF/RL/SL/F

Description : TWIN FULL BUNK BED / LIT SUPERPOSÉ



### IMPORTANT NOTE :

- Place all wooden parts on a clean and smooth surface such as a rug or carpet to avoid the parts from being scratched.
- Check to be sure that you have all parts and hardware.
- Remove all wrapping materials, including staples & packing straps before you start to assemble.
- Do not tighten all screws / bolts until all completely assembled.
- Keep all hardware parts out of reach of children.

### UPPER & LOWER HEADBOARD & FOOTBOARD TETE DE LIT & PIED DE LIT DU HAUT

| PART LIST<br>LISTE DE PIECES |  |         |
|------------------------------|--|---------|
| NO                           | DESCRIPTION                              | QTY/PCS |
| 1                            | UPPER HEADBOARD / TETE DU LIT DU HAUT    | 1 PC    |
| 2                            | UPPER FOOTBOARD / PIED DU LIT DU HAUT    | 1 PC    |
| 3                            | LOWER HEADBOARD / TETE DE LIT BAS        | 1 PC    |
| 4                            | LOWER FOOTBOARD / PIED DU LIT BAS        | 1 PC    |
| 5                            | UPPER SIDE RAIL / COTE DU LIT SUPERIEURE | 2 PCS   |
| 6                            | LOWER SIDE RAIL / COTE DU LIT SUPERIEURE | 2 PCS   |
| 7                            | SHORT GUARD RAIL / GARDE-CORPS COURT     | 1 PC    |
| 8                            | LONG GUARD RAIL / GARDE-CORPS LONGUE     | 1 PC    |
| 9                            | LADDER / ECHELLE                         | 1 PC    |
| 10                           | SLAT / LATTES                            | 2 SETS  |

### UPPER & LOWER HEADBOARD & FOOTBOARD TETE DE LIT & PIED DE LIT DU HAUT

| HARDWARE LIST<br>LISTE DE QUINCAILLERIE |                                     |         |
|---|-------------------------------------|---------|
| NO                                      | DESCRIPTION                         | QTY/PCS |
| A                                       | JCBB SCREW / BOULON M8 x 100        | 19 PCS  |
| B                                       | JCBB SCREW / BOULON M8 x 30         | 8 PCS   |
| C                                       | JCBC SCREW / BOULON M6 x 30         | 12 PCS  |
| D                                       | CSK SCREW / VIS M4 x 32             | 40 PCS  |
| E                                       | CSK SCREW / VIS M4 x 16             | 2 PCS   |
| F                                       | SPRING WASHER / RONDELLE D'ARRET M8 | 27 PCS  |
| G                                       | SPRING WASHER / RONDELLE D'ARRET M6 | 12 PCS  |
| H                                       | FLAT WASHER / RONDELLE PLATE M8     | 27 PCS  |
| I                                       | BARREL NUT / DOIGTS EN TRAVERS      | 19 PCS  |
| J                                       | METAL ROD                           | 4 PCS   |
| K                                       | ALLEN KEY / CLE' ALLEN M5           | 1 PC    |
| L                                       | ALLEN KEY / CLE' ALLEN M4           | 1 PC    |

### FULL EXTENSION BED

| PART LIST<br>LISTE DE PIECES |  |         |
|------------------------------|--|---------|
| NO                           | DESCRIPTION                              | QTY/PCS |
| 11                           | EXTENSION HEADBOARD & FOOTBOARD          | 2 PCS   |
| 12                           | SLAT / LATTES                            | 1 SET   |
| 13                           | CENTER SLAT / LATTES                     | 2 PCS   |
| 14                           | SUPPORT LEG /<br>SUPPORT POUR TRANVERSES | 3 PCS   |

### FULL EXTENSION BED

| HARDWARE LIST<br>LISTE DE QUINCAILLERIE |                                     |         |
|---|-------------------------------------|---------|
| NO                                      | DESCRIPTION                         | QTY/PCS |
| M                                       | JCBB SCREW / BOULON M8 x 35         | 8 PCS   |
| N                                       | JCN NUT M8 x 35                     | 8 PCS   |
| O                                       | SPRING WASHER / RONDELLE D'ARRET M8 | 8 PCS   |
| P                                       | FLAT WASHER / RONDELLE PLATE M8     | 8 PCS   |
| Q                                       | METAL PLATE                         | 2 PCS   |
| R                                       | ALLEN KEY / CLE' ALLEN M5           | 1 PC    |

\*HARDWARE SETS ARE IN B1799-RL AND B1799-F FOR ASSEMBLY

NOTE : YOU WILL ALSO NEED A PHILIP SCREWDRIVER (NOT PROVIDED)



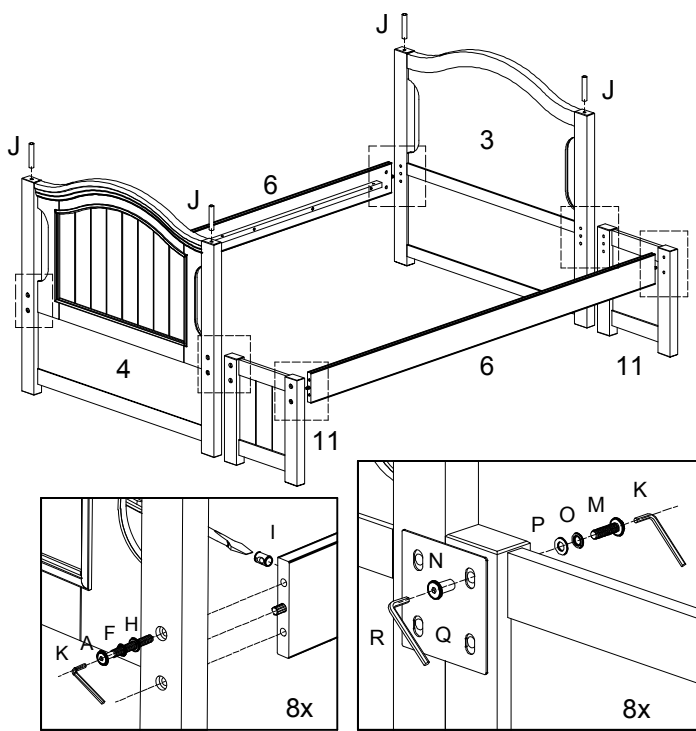
H O M E E L E G A N C E

## ASSEMBLY INSTRUCTION INSTRUCTIONS D'ASSEMBLAGE

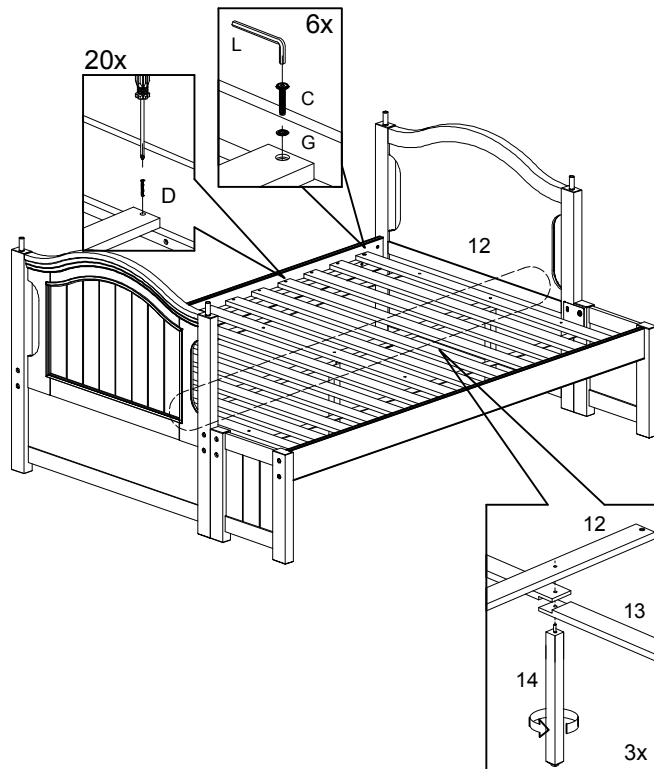
Item No : B1799-HF/RL/SL/F

Description : TWIN FULL BUNK BED / LIT SUPERPOSÉ

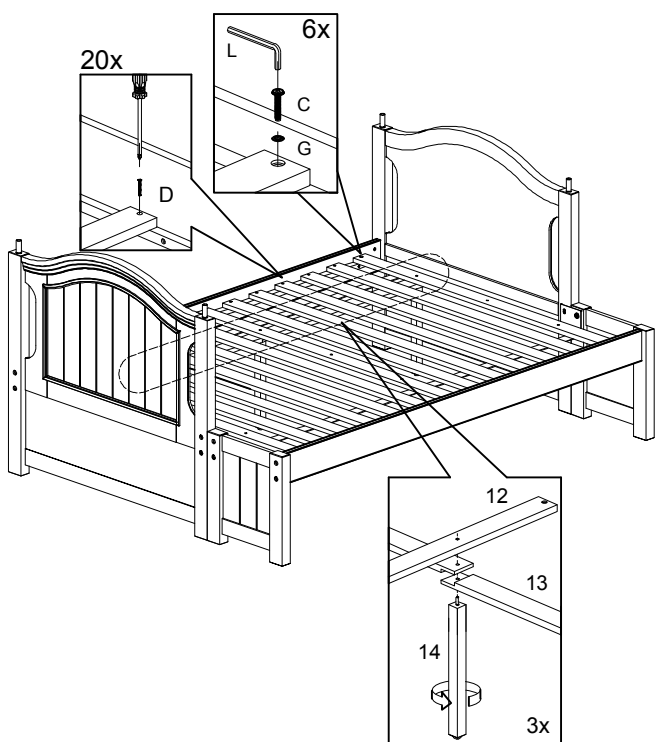
### STEP 1 / ETAPE 1



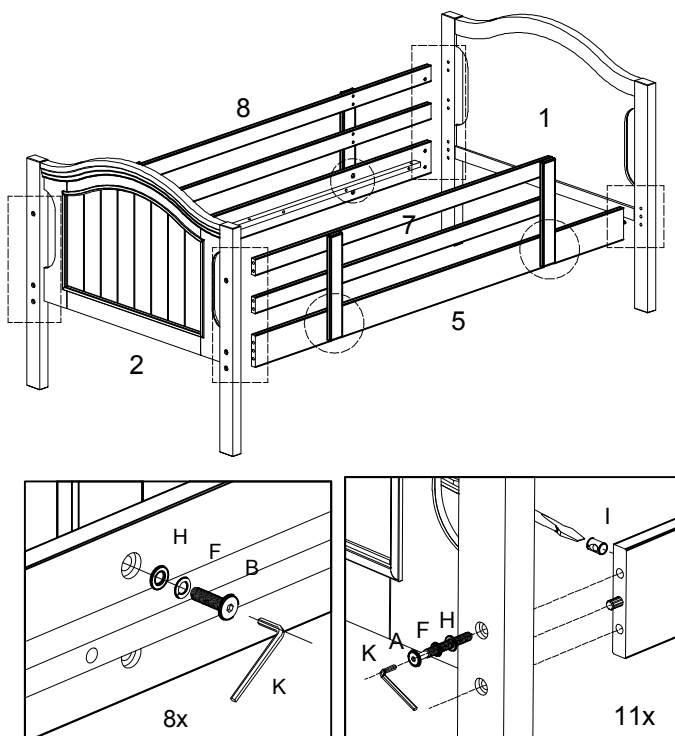
### STEP 2 / ETAPE 2 (WITHOUT TRUNDLE)



### STEP 2 / ETAPE 2 (WITH TRUNDLE)



### STEP 3 / ETAPE 3





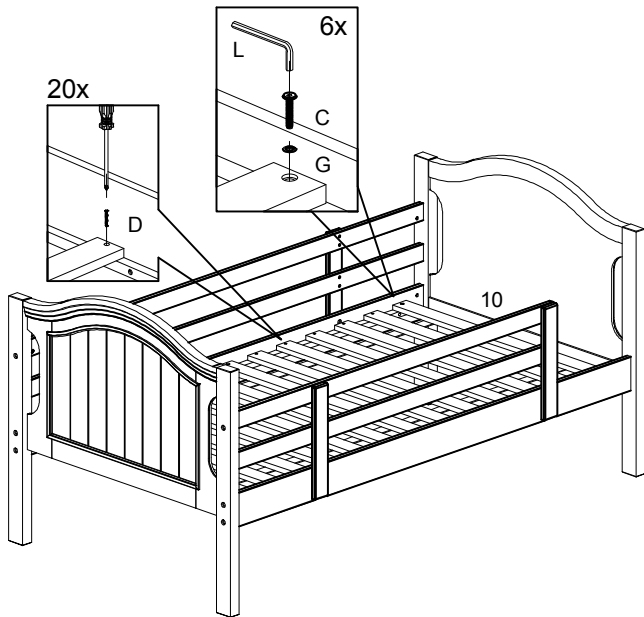
H O M E E L E G A N C E

## ASSEMBLY INSTRUCTION INSTRUCTIONS D'ASSEMBLAGE

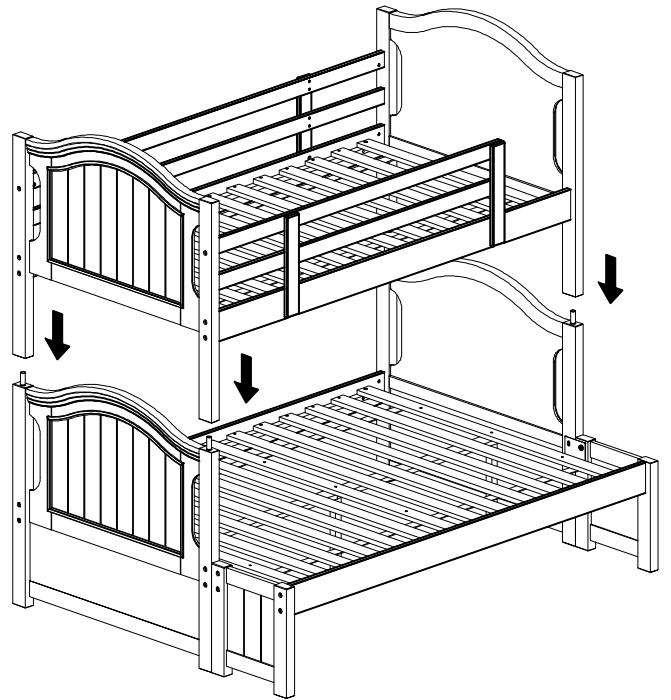
Item No : B1799-HF/RL/SL/F

Description : TWIN FULL BUNK BED / LIT SUPERPOSÉ

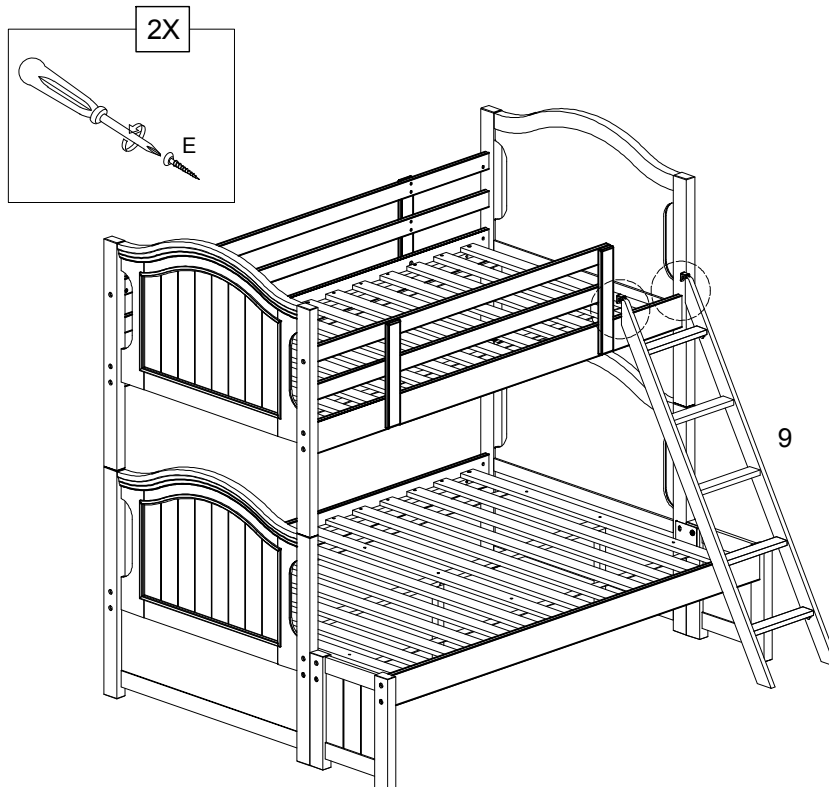
### STEP 4 / ETAPE 4



### STEP 5 / ETAPE 5



### STEP 6 / ETAPE 6



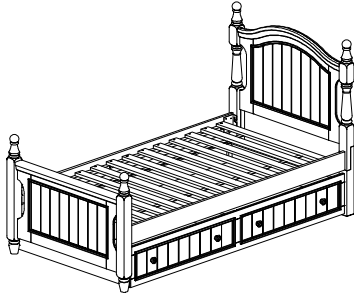


H O M E E L E G A N C E

## ASSEMBLY INSTRUCTION INSTRUCTIONS D'ASSEMBLAGE

Item No : B1799-R

Description : TWIN TRUNDLE / LIT JUMEAUX LIT GIGOGNE  
FULL TRUNDLE / LIT DOUBLE LIT GIGOGNE



### IMPORTANT NOTE :

- Place all wooden parts on a clean and smooth surface such as a rug or carpet to avoid the parts from being scratched.
- Check to be sure that you have all parts and hardware.
- Remove all wrapping materials, including staples & packing straps before you start to assemble.
- Do not tighten all screws / bolts until all completely assembled.
- Keep all hardware parts out of reach of children.

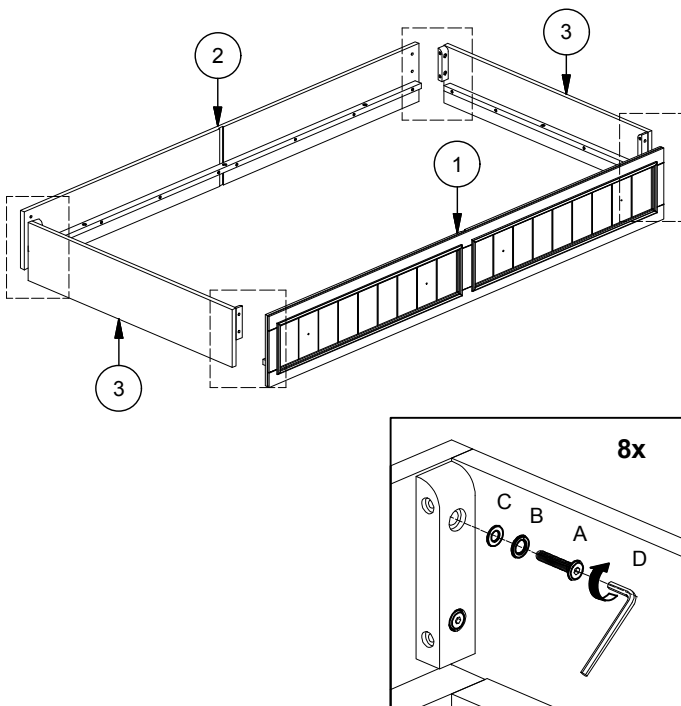
| PART LIST<br>LISTE DE PIÈCES |   |         |
|------------------------------|---|---------|
| NO                           | DESCRIPTION   | QTY/PCS |
| 1                            | FRONT PANEL / FACES AVANT DE TIROIR                     | 1 PC    |
| 2                            | BACK PANEL / PANNEAU ARRIERE                            | 1 PC    |
| 3                            | SIDE PANEL /<br>PANNEAUX LATÉRAUX DU TIROIR             | 2 PCS   |
| 4                            | BOTTOM PANEL / PANNEAU DE FOND                          | 2 PCS   |
| 5                            | HORIZONTAL BOTTOM RAIL /<br>LONGERON DE FOND HORIZONTAL | 1 PC    |
| 6                            | RAIL WITH CASTOR /<br>LONGERON ROULETTE                 | 2 PCS   |
| 7                            | RAIL WITHOUT CASTOR / LONGERON                          | 1 PC    |
| 8                            | CENTER PANEL / PANNEAU DE CENTRE                        | 1 PC    |

| HARDWARE LIST<br>LISTE DE QUINCAILLERIE |   |         |
|---|---|---------|
| NO                                      | DESCRIPTION                                   | QTY/PCS |
| A                                       | JCBC SCREW / BOULON M6 x 30                   | 19 PCS  |
| B                                       | SPRING WASHER /<br>RONDELLE D'ARRET M6        | 19 PCS  |
| C                                       | FLAT WASHER /<br>RONDELLE PLATE M6            | 19 PCS  |
| D                                       | ALLEN KEY (LONG WITH BALL) /<br>CLE' ALLEN M4 | 1 PC    |
| E                                       | HANDLE WITH SCREW /<br>POIGNEE POUR TIROIR    | 4 PCS   |

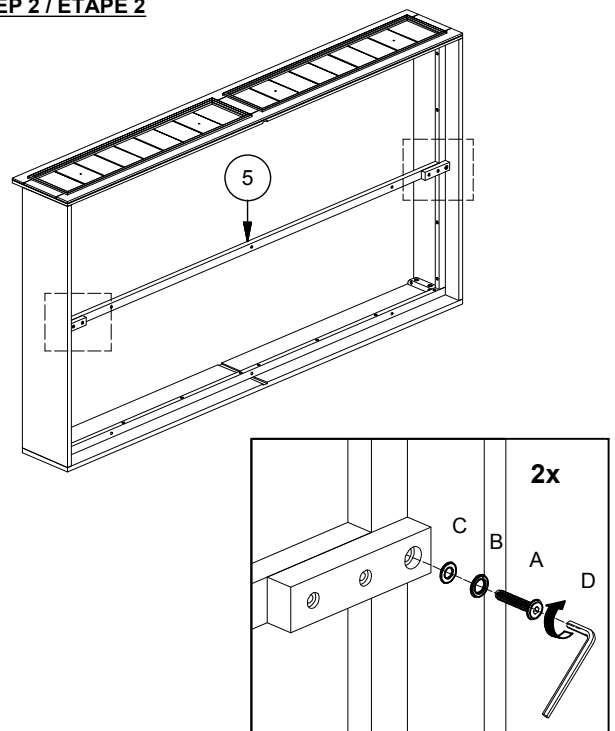
\*HARDWARE SET IS IN B1799-R FOR ASSEMBLY

NOTE : YOU WILL ALSO NEED A PHILIP SCREWDRIVER (NOT PROVIDED)

#### STEP 1 / ÉTAPE 1



#### STEP 2 / ÉTAPE 2





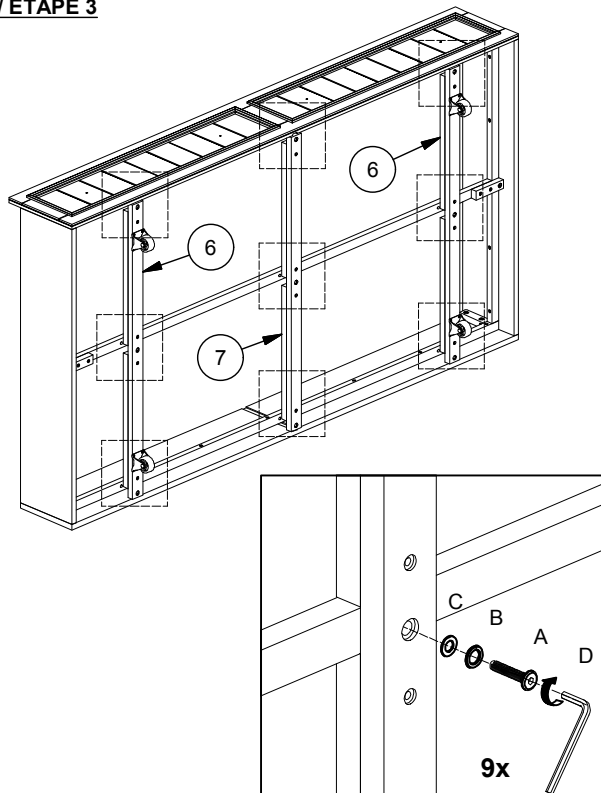
H O M E E L E G A N C E

## ASSEMBLY INSTRUCTION INSTRUCTIONS D'ASSEMBLAGE

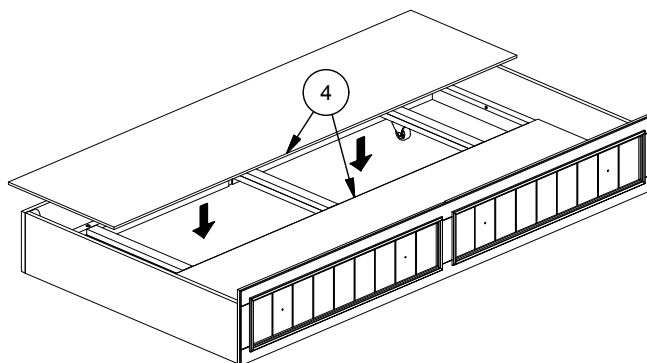
Item No : B1799-R

Description : TWIN TRUNDLE / LIT JUMEAUX LIT GIGOGNE  
FULL TRUNDLE / LIT DOUBLE LIT GIGOGNE

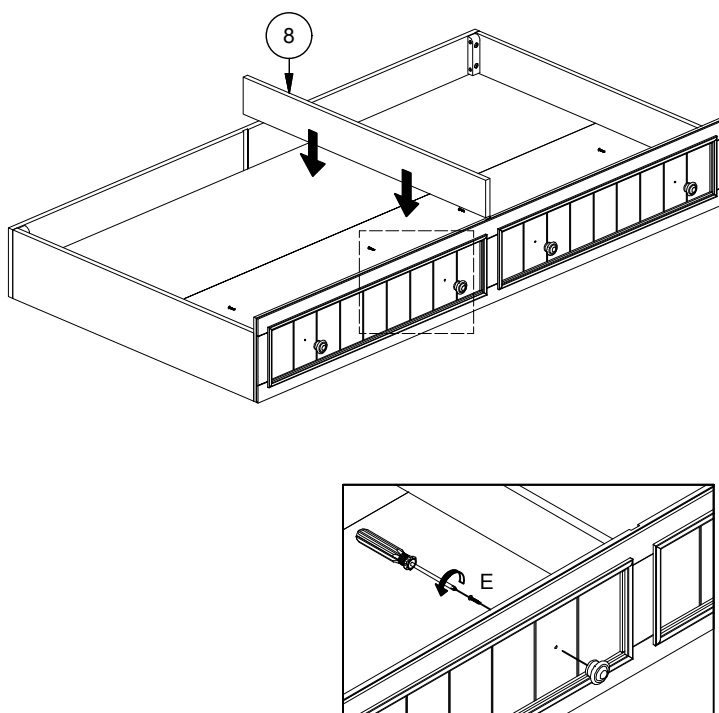
### STEP 3 / ETAPE 3



### STEP 4 / ETAPE 4



### STEP 5 / ETAPE 5



### STEP 6 / ETAPE 6

