



**CAPRI OUTDOOR ROCKING CHAIR**  
**12C057A-W-RCK**  
**309580**

**Assembly Instruction**

**Parts List:**

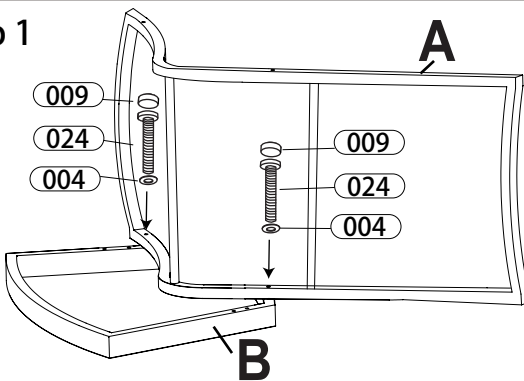
REF	DESCRIPTION	IMAGE	QTY
A	BASE PLATE		1
B	LEFT LEG		1
C	RIGHT LEG		1
D	SUPPORT ROD		1

**Hardware List:**

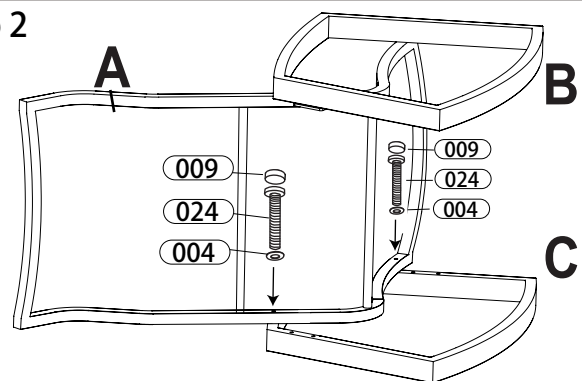
REF	DESCRIPTION	IMAGE	QTY
019	BOLT (M6*20L)		8
024	BOLT (M6*45L)		4
004	WASHER (M6,IDΦ6.5,ODΦ12)		12
009	PLASTIC BOLT CAP (M6)		12
001	ALLEN WRENCH (M6)		1

**Diagram:**

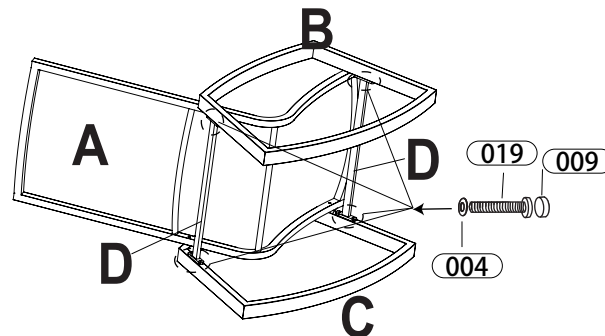
**Step 1**



**Step 2**



**Step 3**



**Assembly Steps:**

**Tip-** Remove protective wrapping and lay all parts on floor. Identify all parts packed in Carton against attached parts list to make sure all parts are presented.

**Step 1:** Put the armrest(left) (B) on the ground and take out the seat plate (A). Align the holes as shown. Use the washer (004), bolt (024), pe cap (009).

**Step 2:** Install (C) on (A).as shown in diagram, using bolt (024) and washer (004).cover with pe cap.

**Step 3:** Install (D) on (B)/(C).as shown in diagram, using bolt (019) and washer (004).cover with pe cap.

**NOTE:** IT IS USER'S RESPONSIBILITY TO MAKE SURE ALL PARTS ARE ASSEMBLED AND TIGHTENED PROPERLY AND SECURELY.