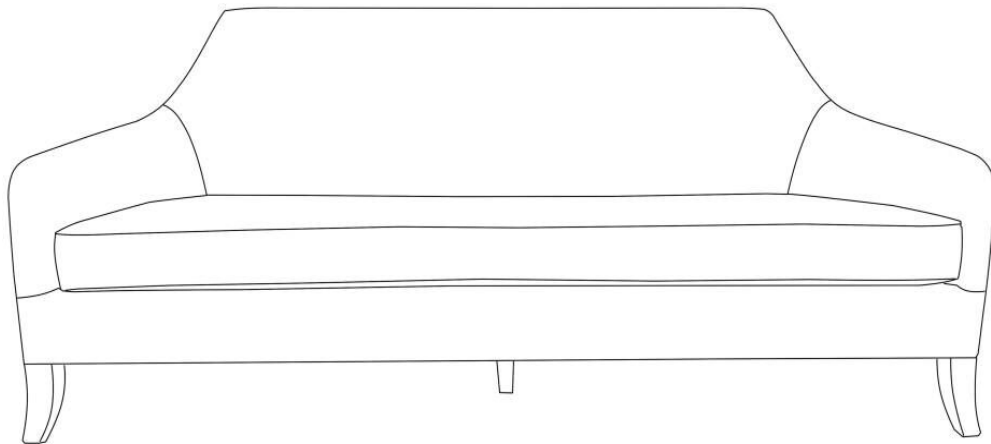






NEVEAH SOFA

NEVEAH





ASSEMBLY INSTRUCTIONS



PARTS LIST

LABEL	PICTURE	DESCRIPTION	QTY
A		Sofa Body	1
B		Front Leg	2
C		Back Leg	2
D		Middle Leg	1

HARDWARE

LABEL	PICTURE	DESCRIPTION	QTY
E		Metal Gasket	8
F		Spring Washer	8
G		Screw (M6*65)	8
H		Wrench	1

BEFORE BEGINNING ASSEMBLY:



Read instructions cover to cover



Have two adults on hand for assembly



Do NOT assemble on flooring or carpet. Assemble on a clean non-marring surface (ex: packing foam)

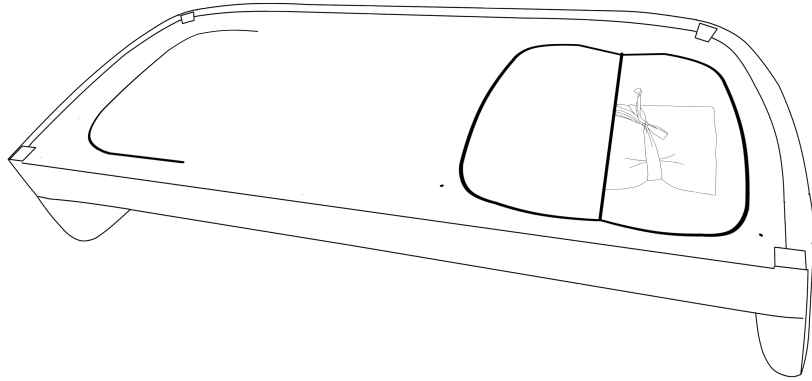


Save all packaging until assembly is completed

Need a part? Call TOV at 516-888-3355 or email service@tovfurniture.com

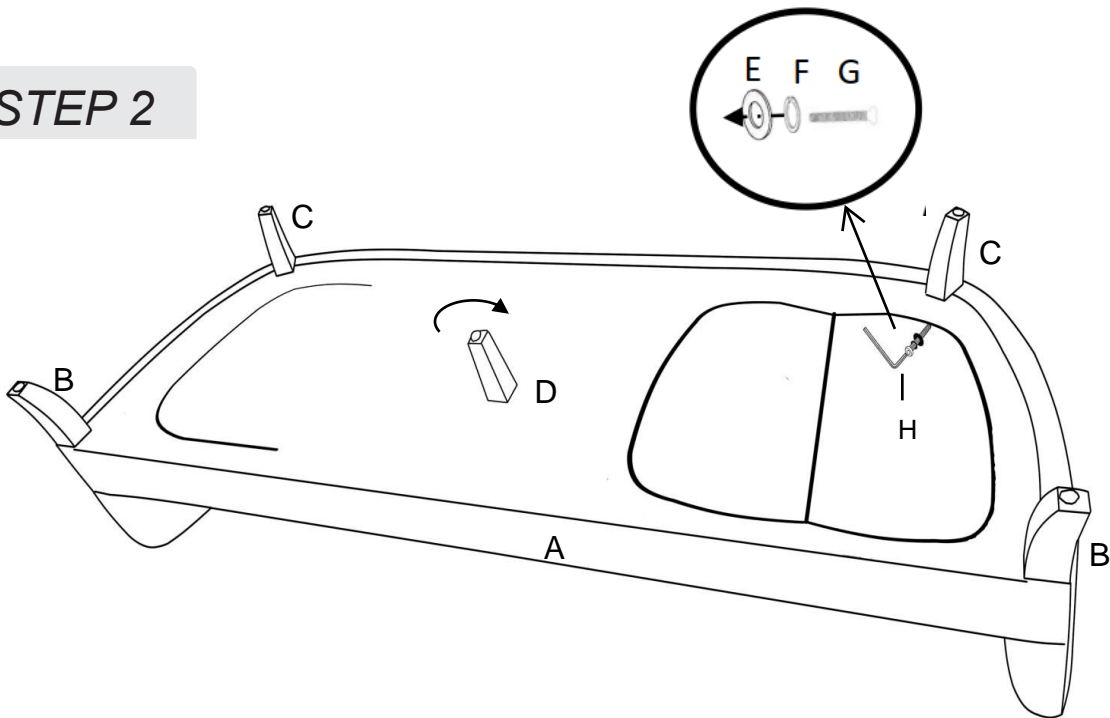
ASSEMBLY STEPS

STEP 1



- › Position the product on its bottom as shown.
- › Open the compartment to remove the legs and hardware package.

STEP 2



- › Insert 2 pieces of each Spring Washer (F), Metal Gasket (E) into 2 pieces of Bolt (G) as shown. Use Wrench (H) to tighten all the Bolts for the legs(B&C).
- › Attach the middle leg(D)and tighten it clockwise.

CARE & MAINTENANCE



Do not put hot items directly on furniture surface.



Do not clean furniture with harsh cleansers or polish.



Dust and pick up spills using a clean, non-colored, lint-free cloth.



Stains may be removed with a mild soap solution and a damp cloth.



Do not place furniture under direct sunlight.



Do not place furniture near heating or cooling vents.



Do not write on furniture without a padded barrier to protect the surface.



Do not place furniture outside, for indoor use only.