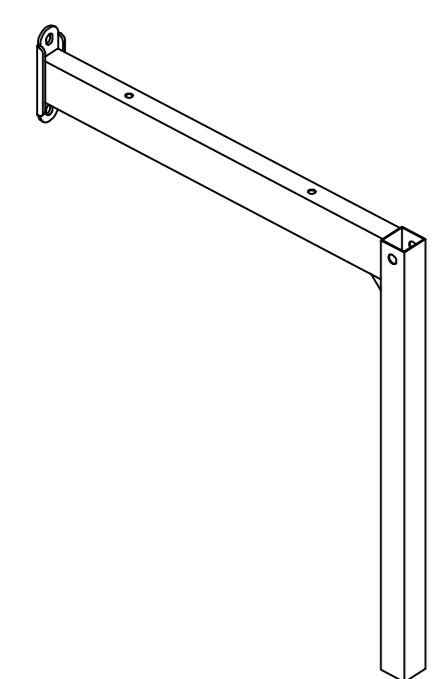




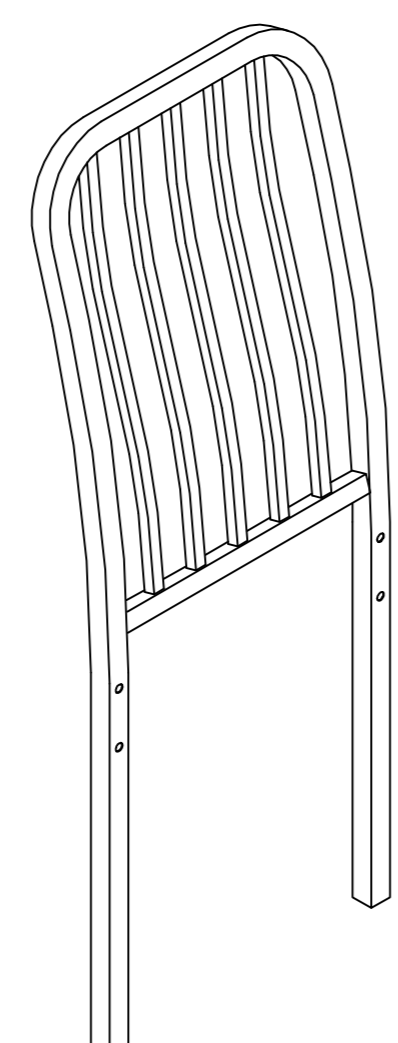
ASSEMBLY INSTRUCTION

5664S SIDE CHAIR

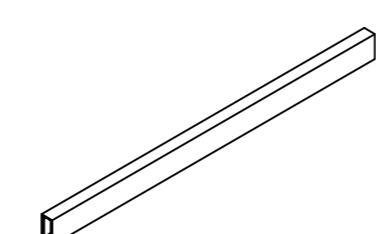
PART LIST:



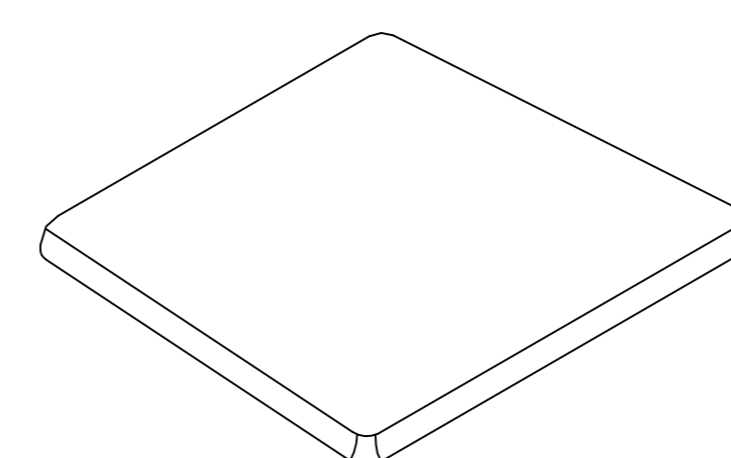
E: L&R Leg Frame
2PCS



F: Chair Back
1PC



G: Front Cross Bar
1PC

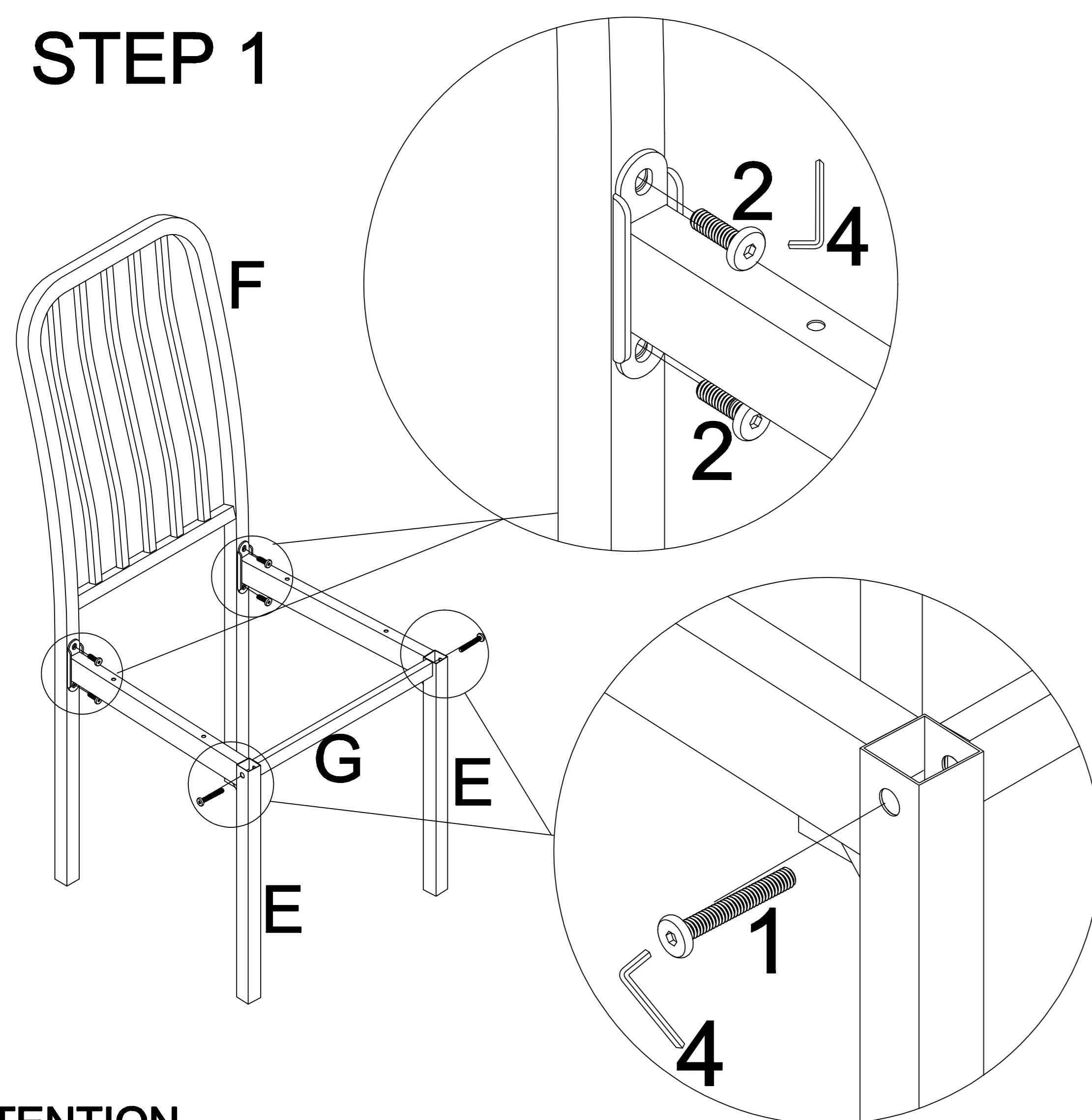


H: Seat Cushion
1PC

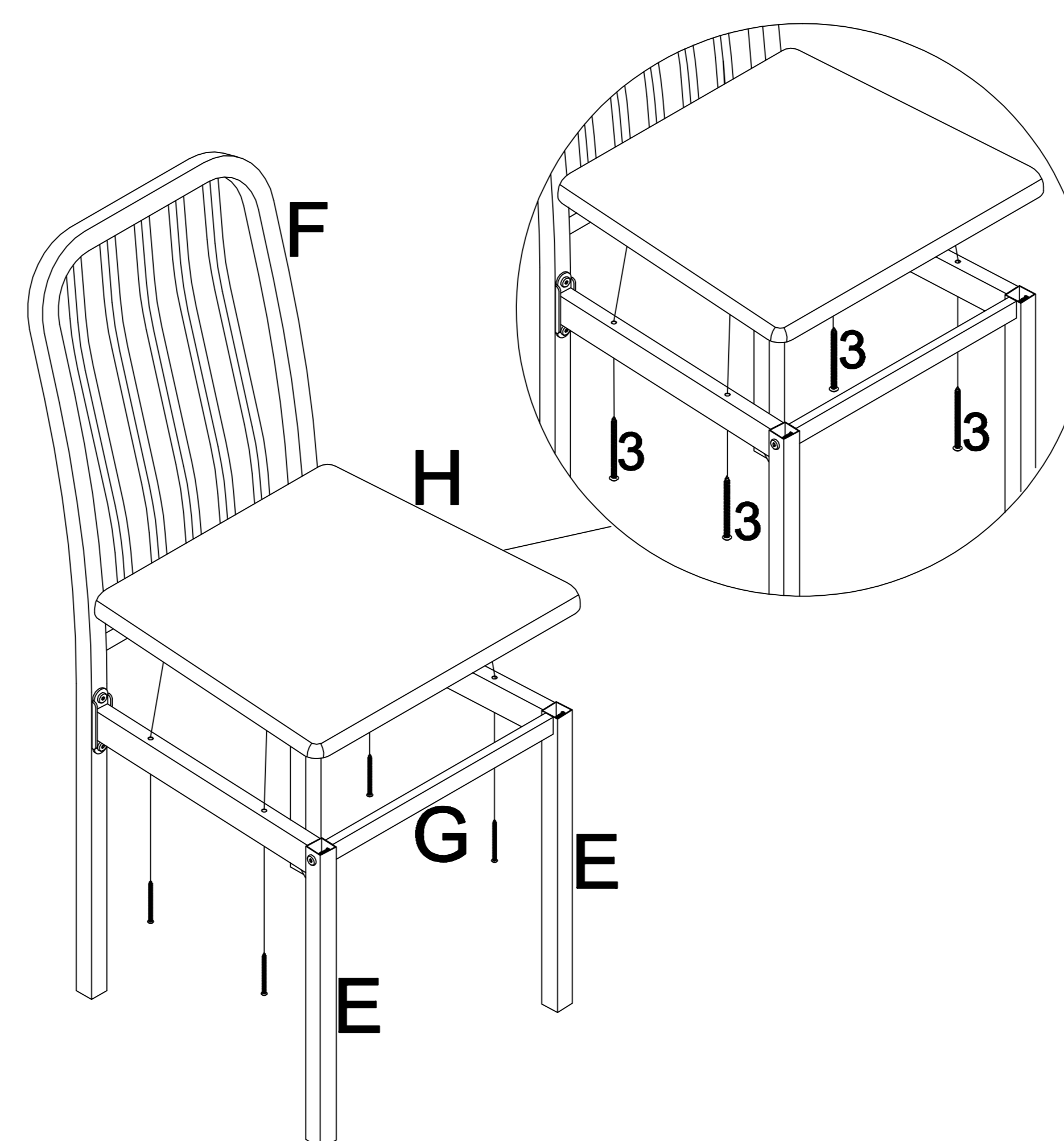
HARDWARE LIST

1		BOLT	1/4"*43mm	2pcs
2		BOLT	1/4"*19mm	4pcs
3		Screw	M5*58mm	4pcs
4		ALLEN KEY	4mm	1pc

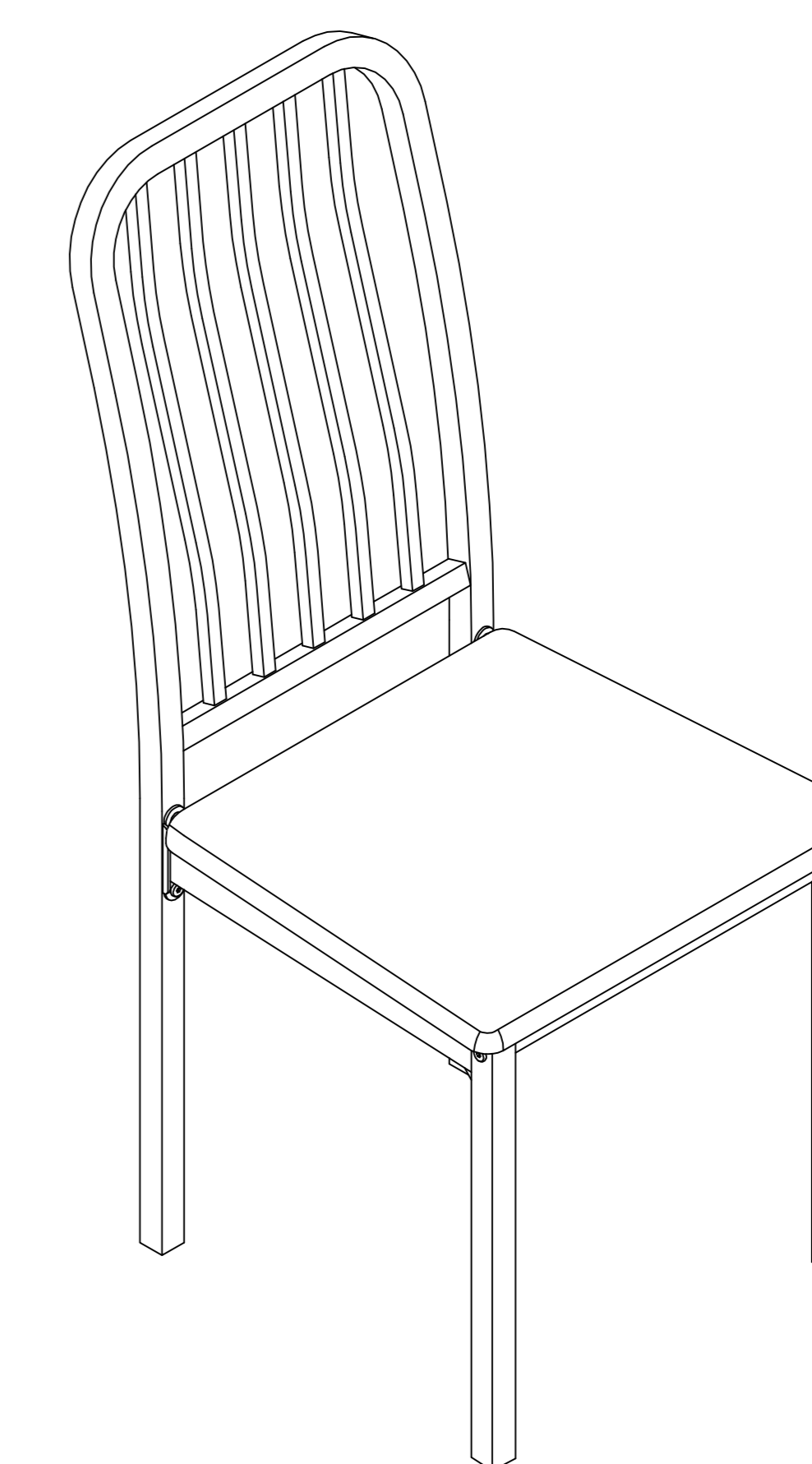
STEP 1



STEP 2



STEP 3



ATTENTION

It is recommended to install protective pads under all legs and supports to avoid damage or scratches when placing furniture on a wood floor or other hard surface, and to limit indentation and prevent discoloration if placing on carpet.

DO NOT TIGHTEN BOLTS UNTIL COMPLETELY ASSEMBLED.

NE PAS SERRER LES BOULONS JUSQU'À CE QUE LE MONTAGE SOIT COMPLÈTMENT TERMINÉ.