

# LEGS ASSEMBLY INSTRUCTIONS

1

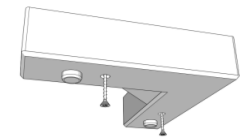


WOOD LEG

## INCLUDED

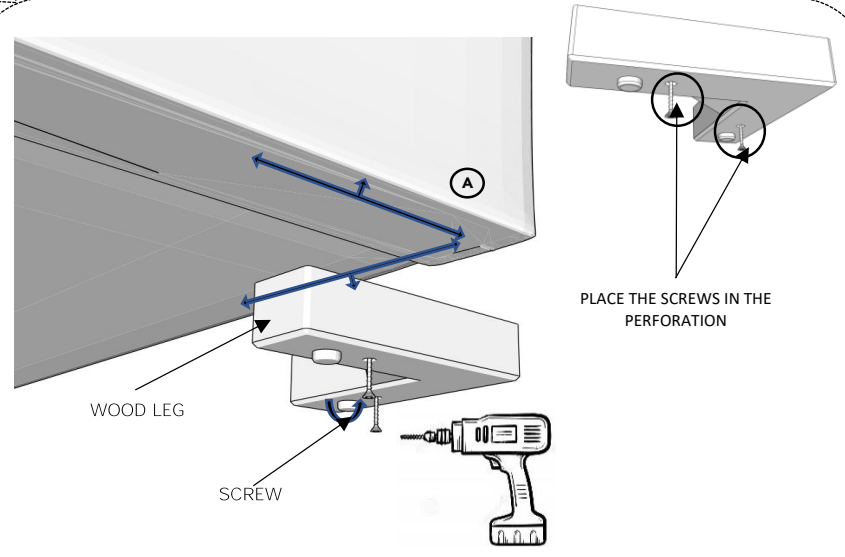


8 PHILLIPS SCREWS



4 WOOD LEGS

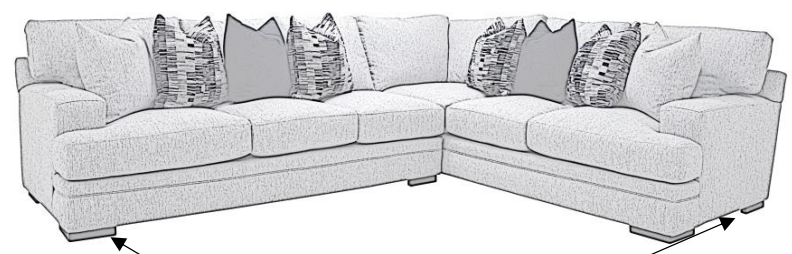
2



PLACE THE SCREWS IN THE PERFORATION

- A** Place the leg 1/4" off the edge of the sofa.
- B** Tighten the 2 screws with a phillips screwdriver.

3



FRONT WOOD LEG

BACK WOOD LEG