

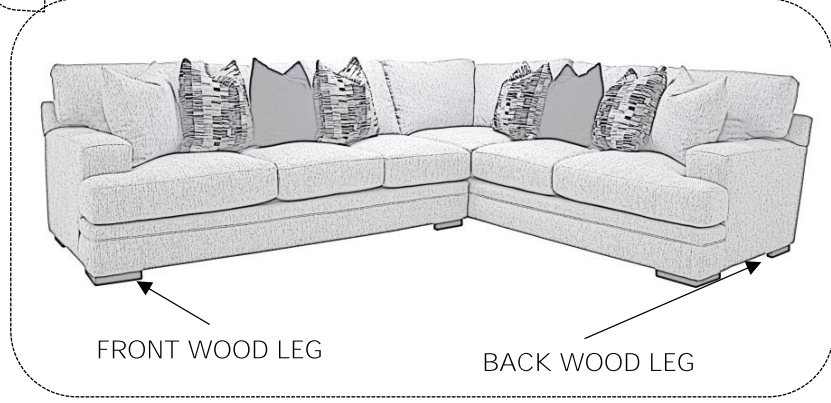
LEGS ASSEMBLY INSTRUCTIONS

1



WOOD LEG

3



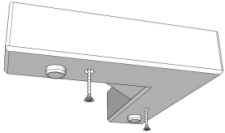
FRONT WOOD LEG

BACK WOOD LEG

INCLUDED

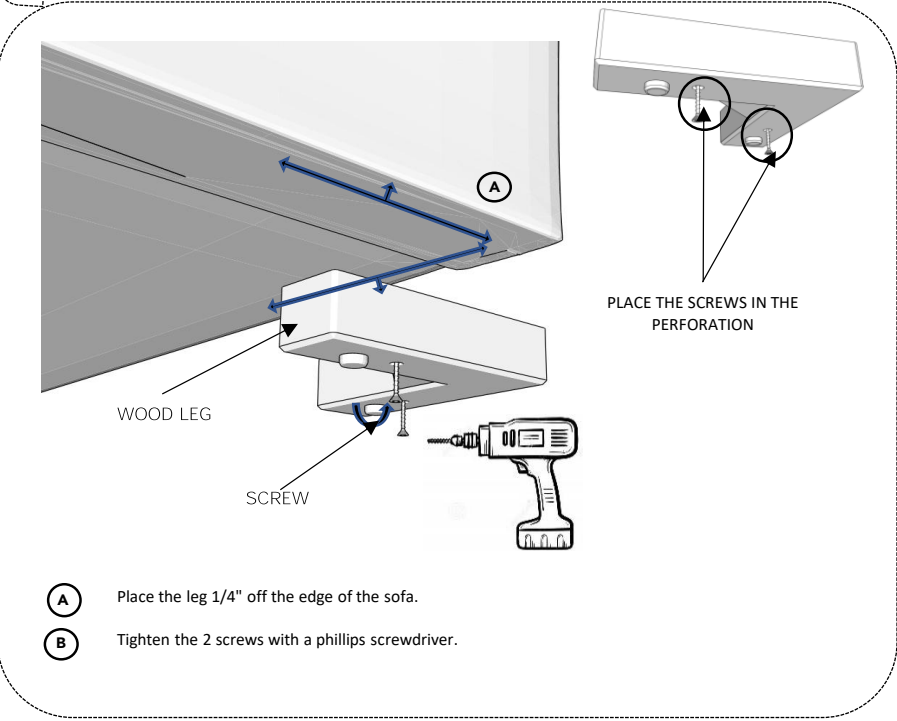


8 PHILLIPS SCREWS



4 WOOD LEGS

2



- A** Place the leg 1/4" off the edge of the sofa.
- B** Tighten the 2 screws with a phillips screwdriver.