



ASSEMBLY INSTRUCTIONS COASTER FINE FURNITURE



Fine Furniture for every stage of life

881171
Writing Desk

REVISION 0 : 10/21/2019

PAGE 1 OF 6

COASTERFURNITURE.COM

ITEM: **881171**



ASSEMBLY INSTRUCTIONS

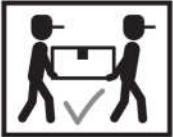
ASSEMBLY TIPS:

1. Remove hardware from box and sort by size.
2. Please check to see that all hardware and parts are present prior to start of assembly.
3. Please follow attached instructions in the same sequence as numbered to assure fast & easy assembly.



WARNING!

1. Don't attempt to repair or modify parts that are broken or defective. Please contact the store immediately.
2. This product is for home use only and not intended for commercial establishments.

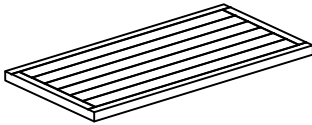


ASSEMBLY TIME

30 MINUTES

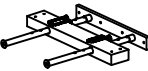
PARTS IDENTIFICATION

A TOP



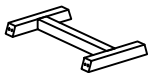
1PC

B ADJUSTING MECHANISM



2PCS

C LEG SUPPORT



2PCS

D LEG



4PCS




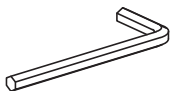
NOTE:

Phillips head screw driver is required in the assembly process; however, manufacturer does not provide this item.

ITEM: **881171**



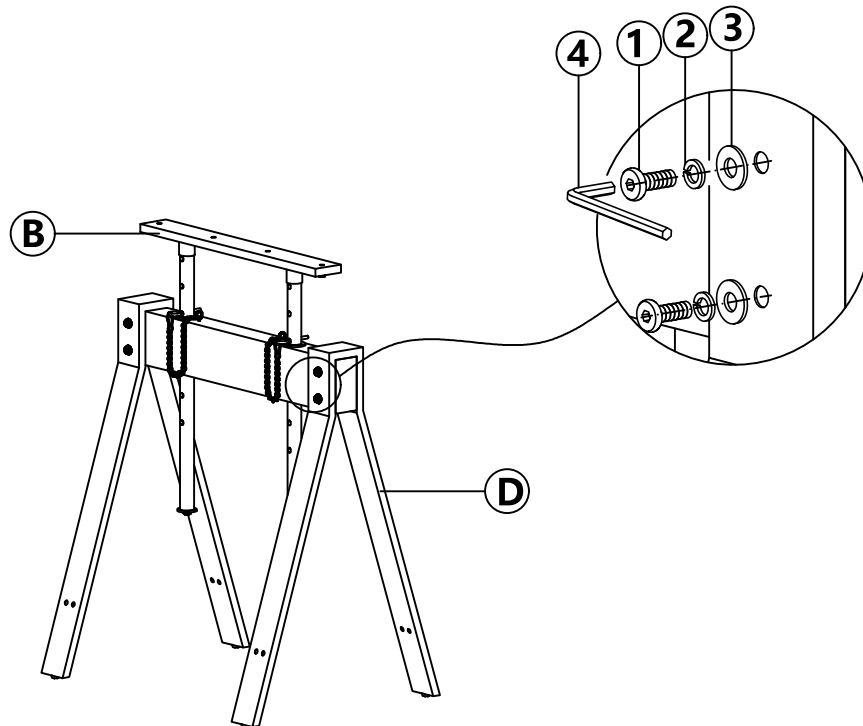
HARDWARE IDENTIFICATION

1	BOLT (Φ 1/4"x1-1/4")		40PCS
2	SPRING WASHER (Φ 10.5x Φ 7.0x1.5mm)		40PCS
3	FLAT WASHER (Φ 16.0x Φ 7.0x1.5mm)		40PCS
4	ALLEN WRENCH (4.0mm)		1PC

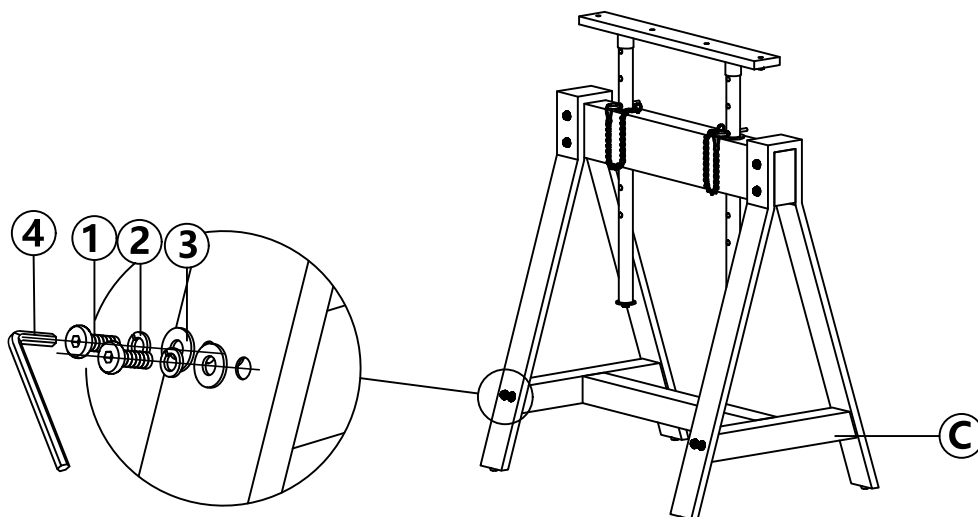
NOTE:

Phillips head screw driver is required in the assembly process; however, manufacturer does not provide this item.

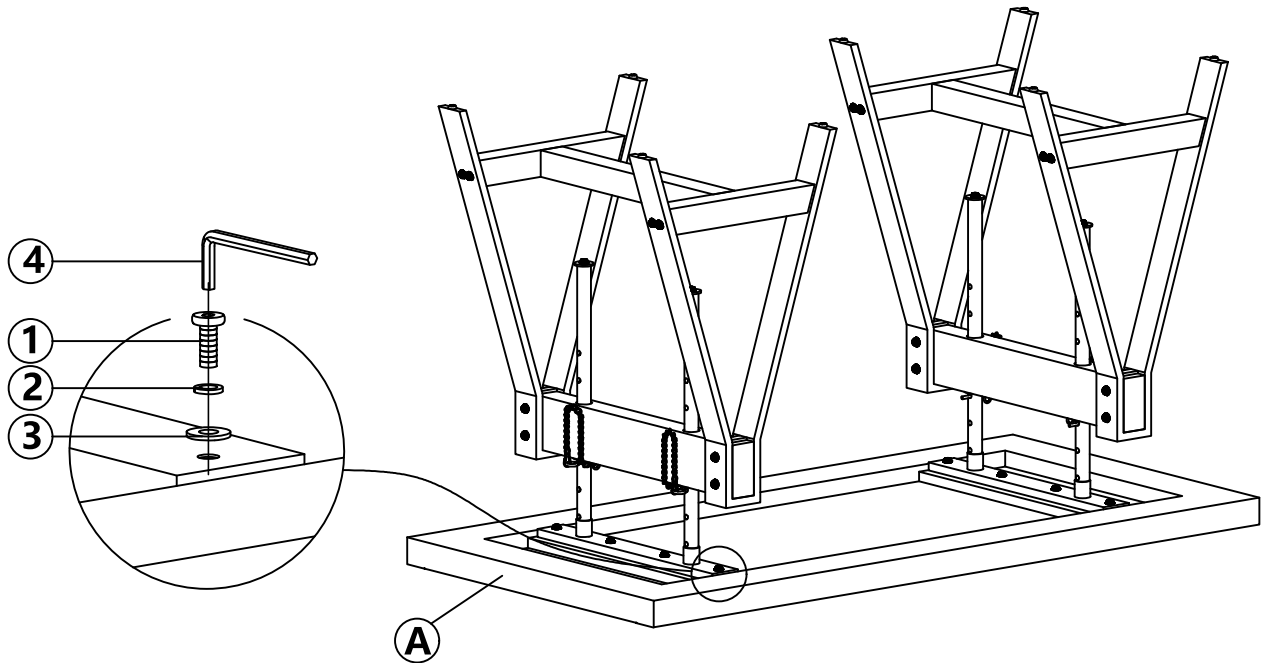
ITEM: **881171**
ASSEMBLY INSTRUCTIONS
STEP 1



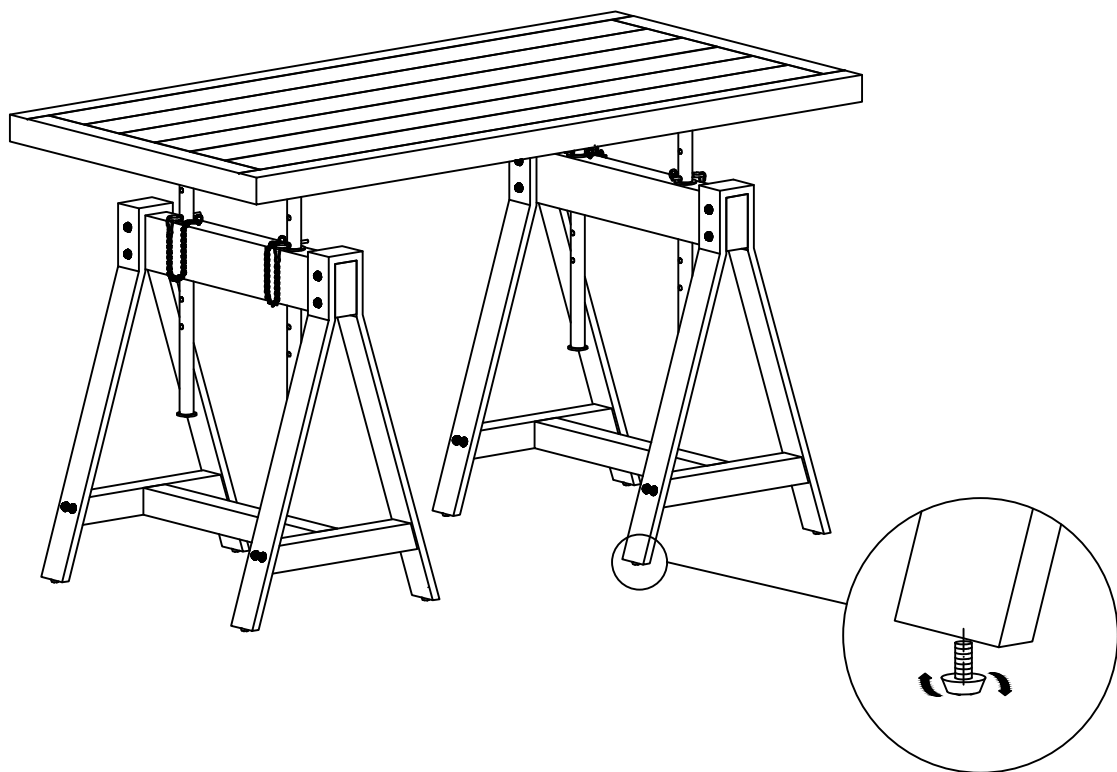
STEP 2



ITEM: **881171**
ASSEMBLY INSTRUCTIONS
STEP 3



STEP 4



ITEM: **881171**



Product size:1525WX763DX759/1065H(mm)
Product size:60"WX30"DX30"/42"H

