

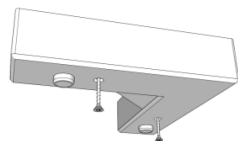


LIVING SPACES

ARLEN II

LEGS ASSEMBLY INSTRUCTIONS

1



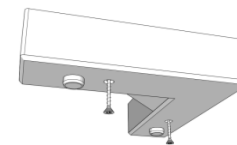
WOOD LEG



INCLUDED

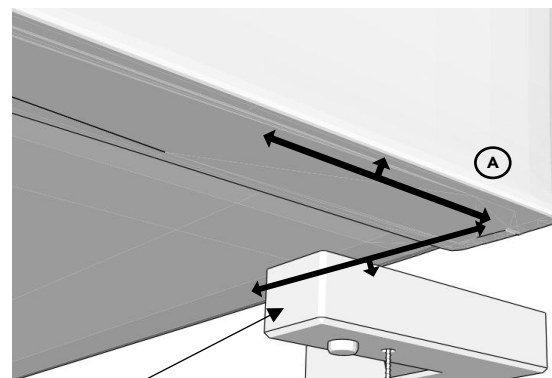


8 PHILLIPS SCREWS



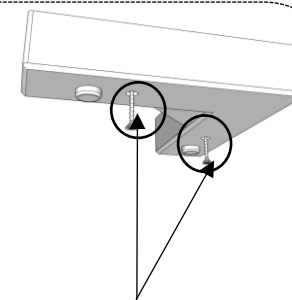
4 WOOD LEGS

2

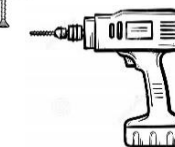


WOOD LEG

SCREW



PLACE THE SCREWS IN THE PERFORATION



Screw holes on the legs are pre drilled

3



BACK WOOD LEG

FRONT WOOD LEG

A

Place the leg 1/4" off the edge of the sofa.

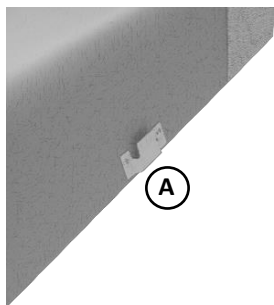
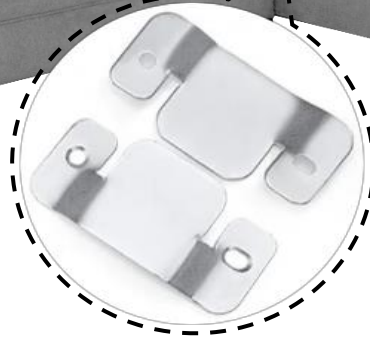
B

Tighten the 2 screws with a phillips screwdriver.



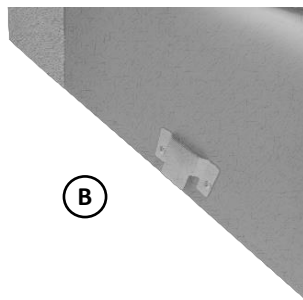
LIVING SPACES

ARLEN II SECTIONAL CONNECTOR INTERLOCKING



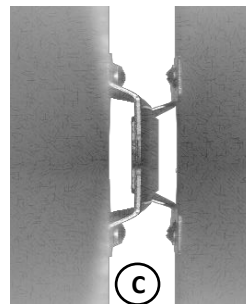
A

A Identify connector that is in the upward position.



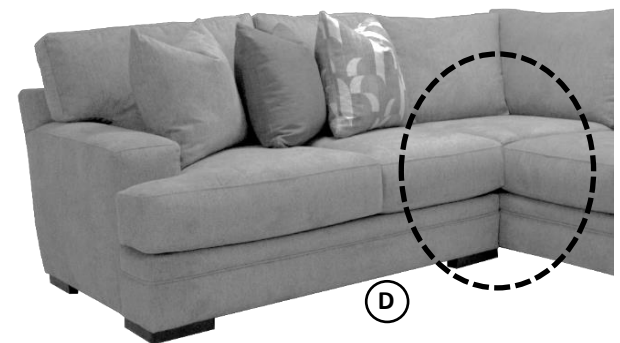
B

B Identify the connector that is in the downward position, which is to be connected with **A**.



C

C This image illustrates how the connectors look like when assembled properly.



D

D Finished assembly.