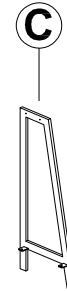
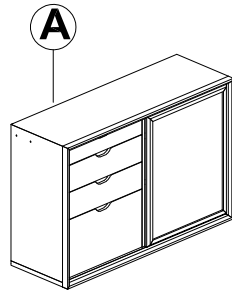


# FINCH CREDENZA ASSEMBLY INSTRUCTIONS



## PARTS PACKING CONFIGURATIONS

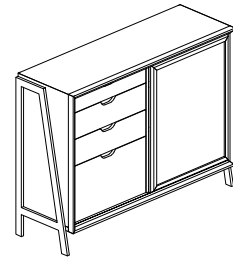
- A. CREDENZA 1PC
- B. LEFT METAL LEG 1PC
- C. RIGHT METAL LEG 1PC



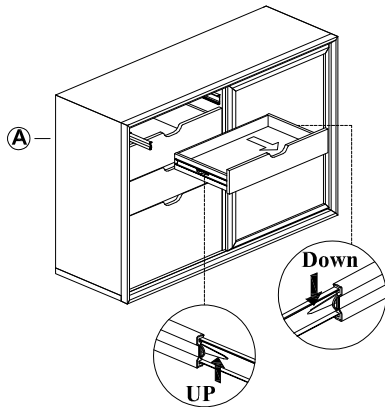
### HARDWARE ENCLOSED IN CARTON

No	DESCRIPTION	IMAGE	QUANTITY
1	ALLEN BOLT (1/4" x 1-1/8")		4 PCS
2	ALLEN BOLT (1/4" x 5/8")		4 PCS
3	LOCK WASHER (1/4")		8 PCS
4	FLAT WASHER (1/4")		8 PCS
5	ALLEN KEY		1 PC

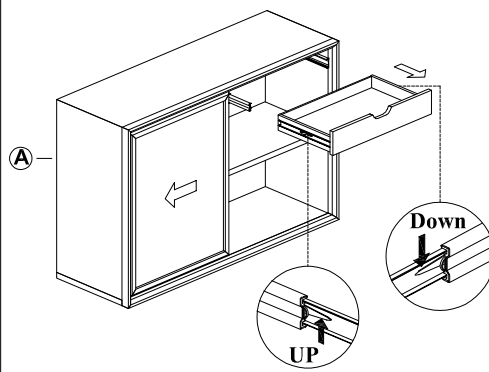
### FINCH CREDENZA FULLY ASSEMBLED



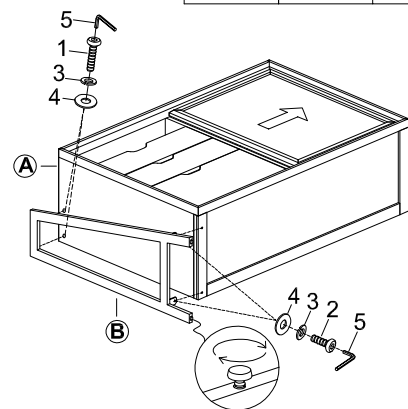
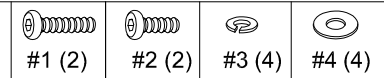
### STEP 1:



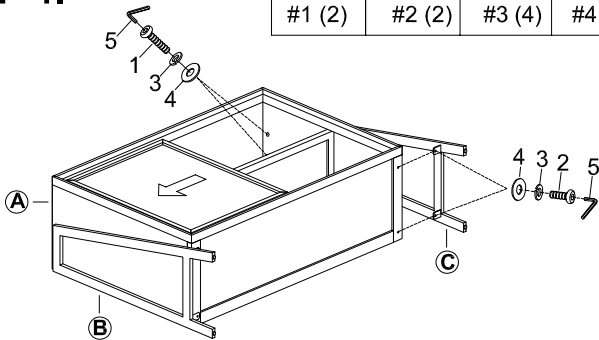
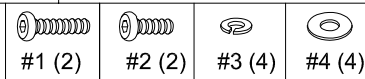
### STEP 2:



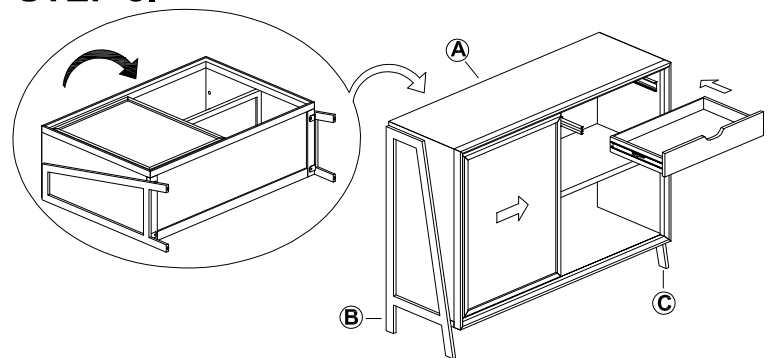
### STEP 3:



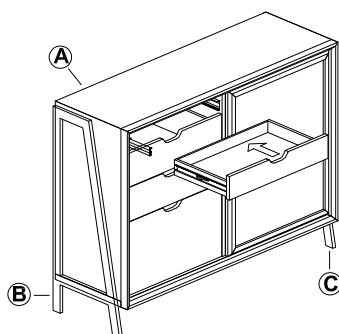
### STEP 4:



### STEP 5:



### STEP 6:



### FULLY ASSEMBLED

