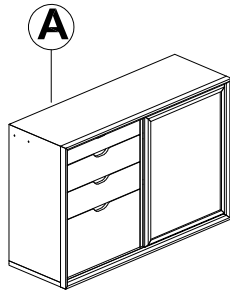


FINCH CREDENZA ASSEMBLY INSTRUCTIONS



PARTS PACKING CONFIGURATIONS

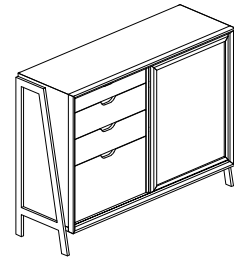
- A. CREDENZA 1PC
- B. LEFT METAL LEG 1PC
- C. RIGHT METAL LEG 1PC



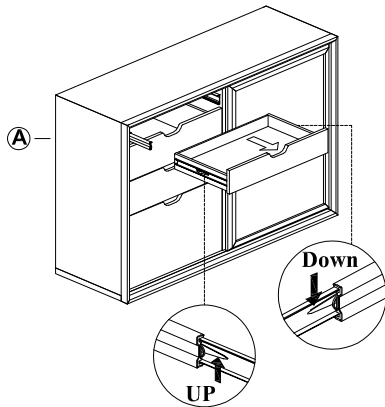
HARDWARE ENCLOSED IN CARTON

No	DESCRIPTION	IMAGE	QUANTITY
1	ALLEN BOLT (1/4" x 1-3/8")		4 PCS
2	ALLEN BOLT (1/4" x 5/8")		4 PCS
3	LOCK WASHER (1/4")		8 PCS
4	FLAT WASHER (1/4")		8 PCS
5	ALLEN KEY		1 PC

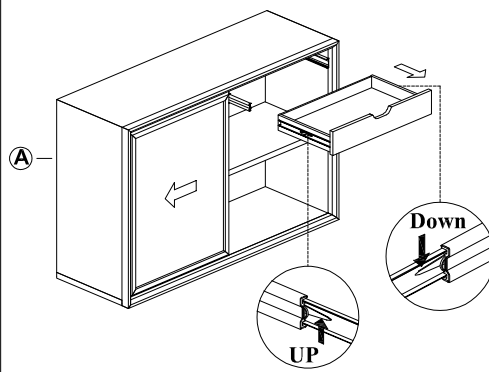
FINCH CREDENZA FULLY ASSEMBLED



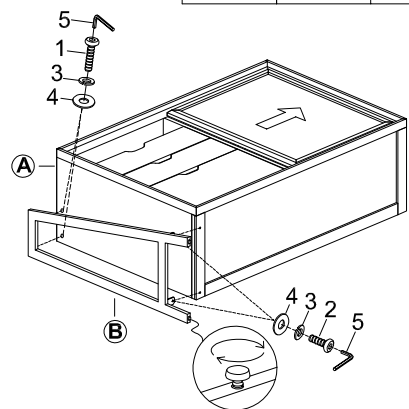
STEP 1:



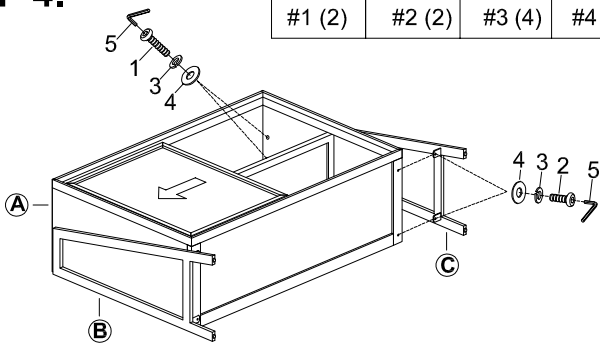
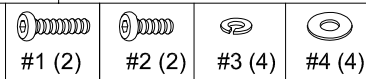
STEP 2:



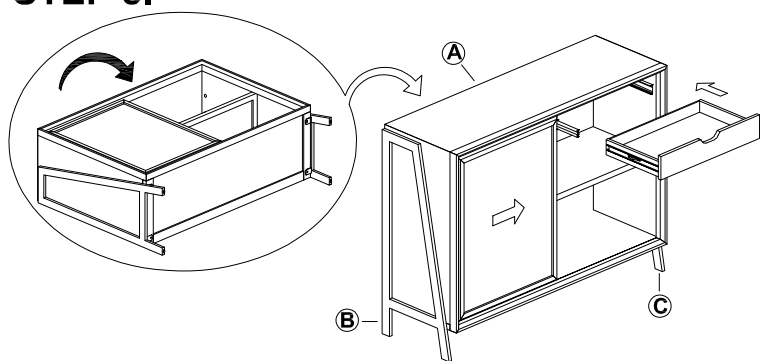
STEP 3:



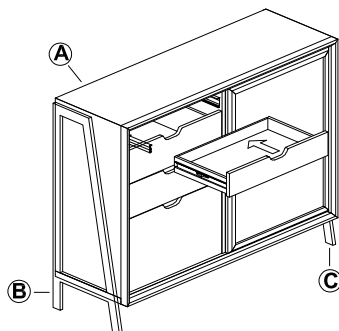
STEP 4:



STEP 5:



STEP 6:



FULLY ASSEMBLED

