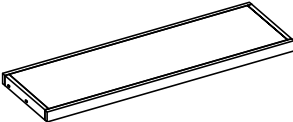

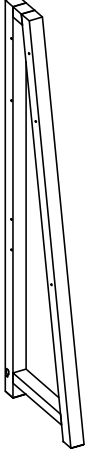

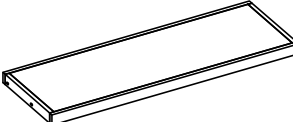
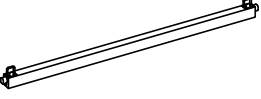
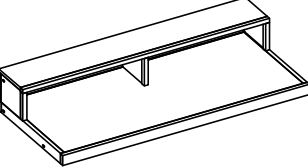
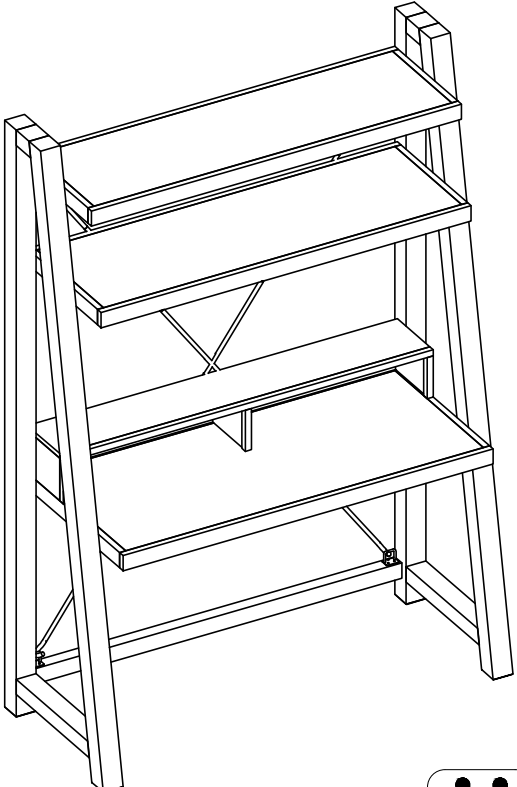







AUTUMN LADDER DESK ASSEMBLY INSTRUCTIONS

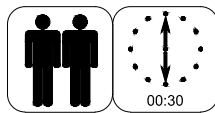


A. SHELF 1 : 1 PC 	D. SIDE LEG FRAME - LEFT : 1 PC 	E. SIDE LEG FRAME - RIGHT : 1 PC 	F. TURNBUCKLE : 2 PCS 
B. SHELF 2 : 1 PC 	G. STRETCHER : 1 PC 		
C. SHELF 3 : 1 PC 			



HARDWARE LIST:

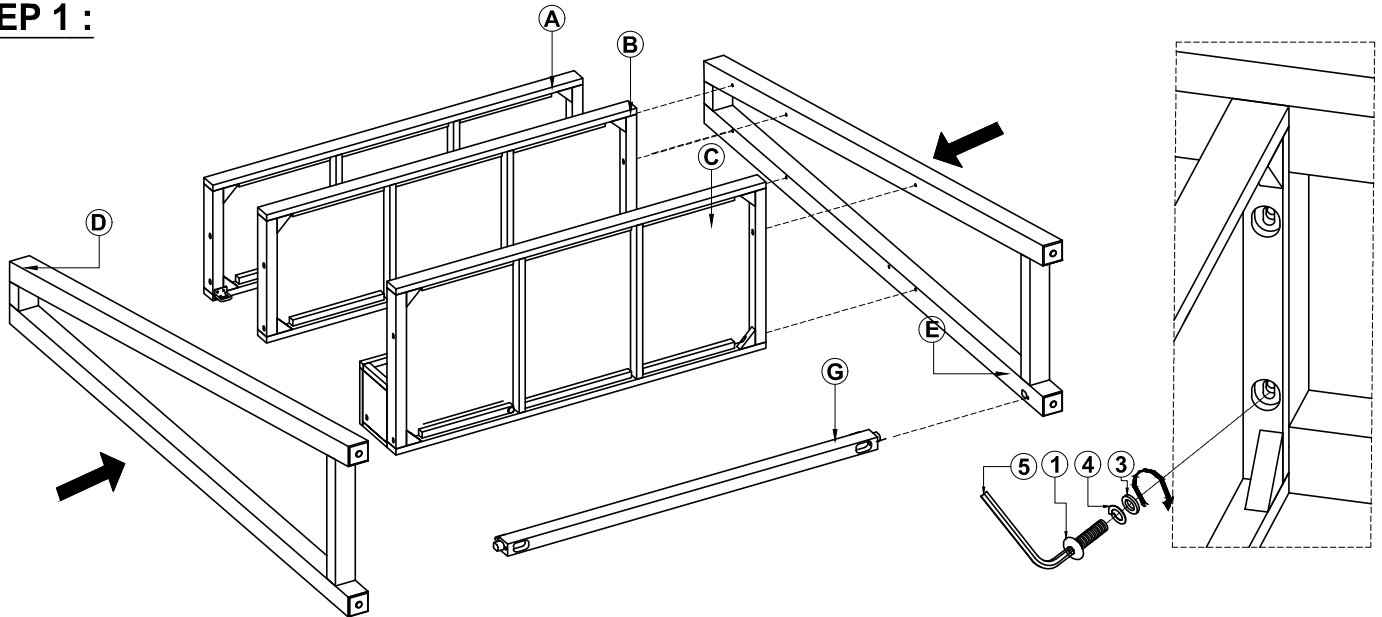
No.	Description	Photo	Quantity
1	ALLEN BOLT (6x40mm)		14 PCS
2	ALLEN BOLT (6x25mm)		02 PCS
3	FLAT WASHER (M6)		16 PCS
4	LOCK WASHER (M6)		16 PCS
5	ALLEN KEY		1 PC



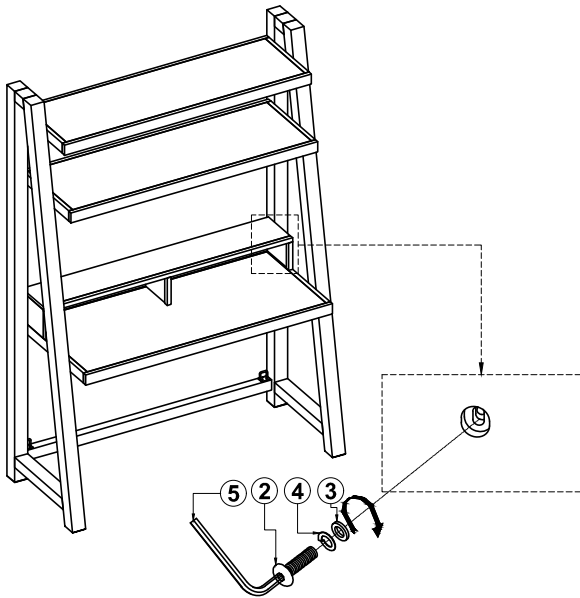
AUTUMN LADDER DESK ASSEMBLY INSTRUCTIONS



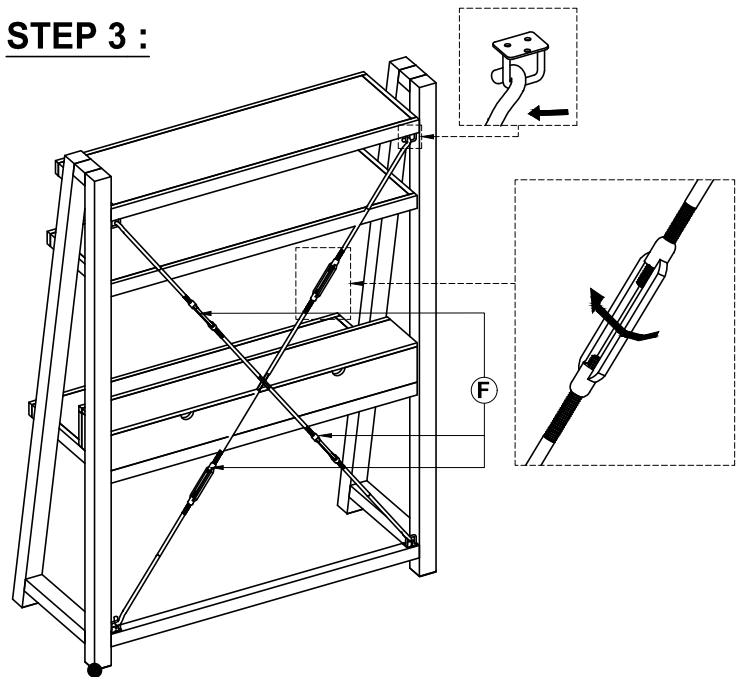
STEP 1 :



STEP 2 :



STEP 3 :



ASSEMBLY COMPLETE

