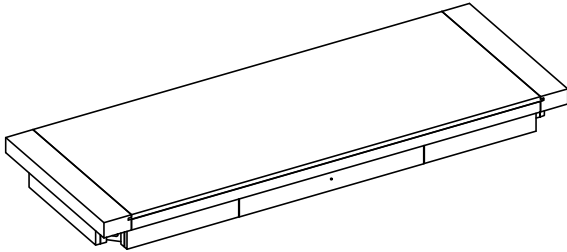


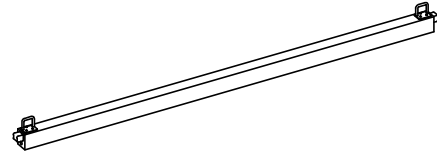
AUTUMN WRITING DESK ASSEMBLY INSTRUCTIONS



A. DESK TOP : 1 PC



B. MIDDLE STRETCHER : 1 PC



**C. FRONT LEG -
LEFT : 1 PC**



**D. FRONT LEG -
RIGHT : 1 PC**



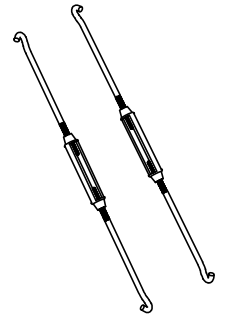
**E. BACK LEG :
2 PCS**



**F. SIDE STRETCHER :
2 PCS**

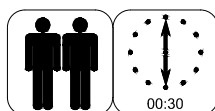
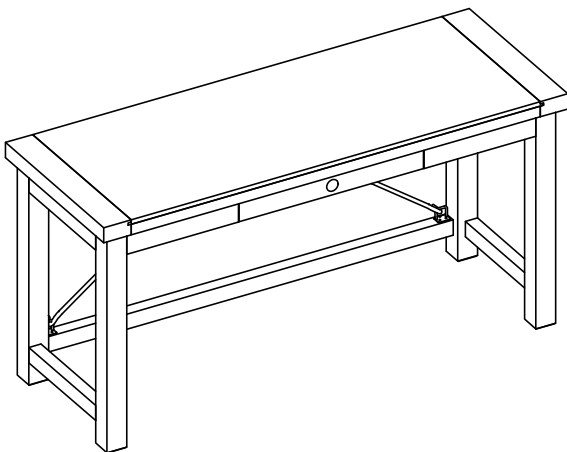


**G. TURNBUCKLE :
2 PCS**



HARDWARE LIST:

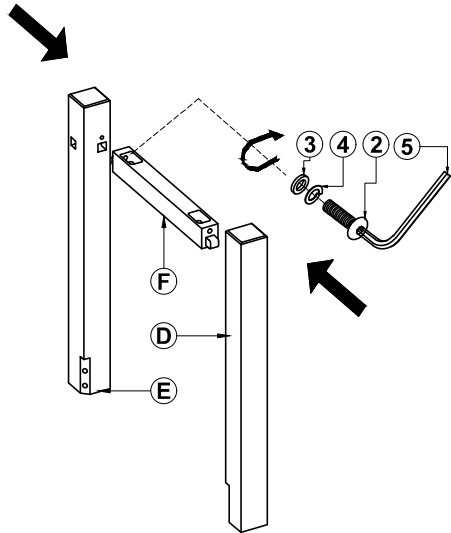
No.	Description	Photo	Quantity
1	ALLEN BOLT (6x60mm)		8 PCS
2	ALLEN BOLT (6x40mm)		6 PCS
3	FLAT WASHER (M6)		14 PCS
4	LOCK WASHER (M6)		14 PCS
5	ALLEN KEY		1 PC



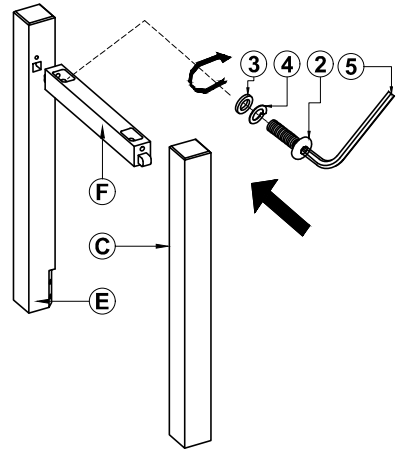
AUTUMN WRITING DESK ASSEMBLY INSTRUCTIONS



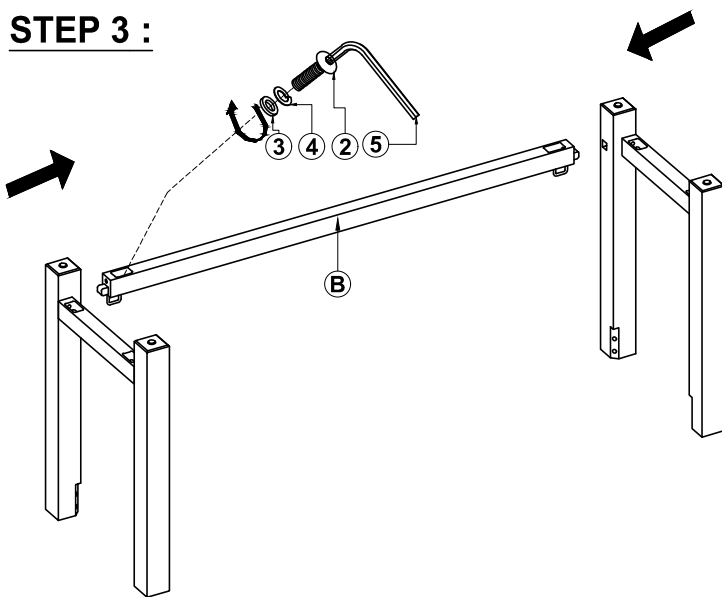
STEP 1 :



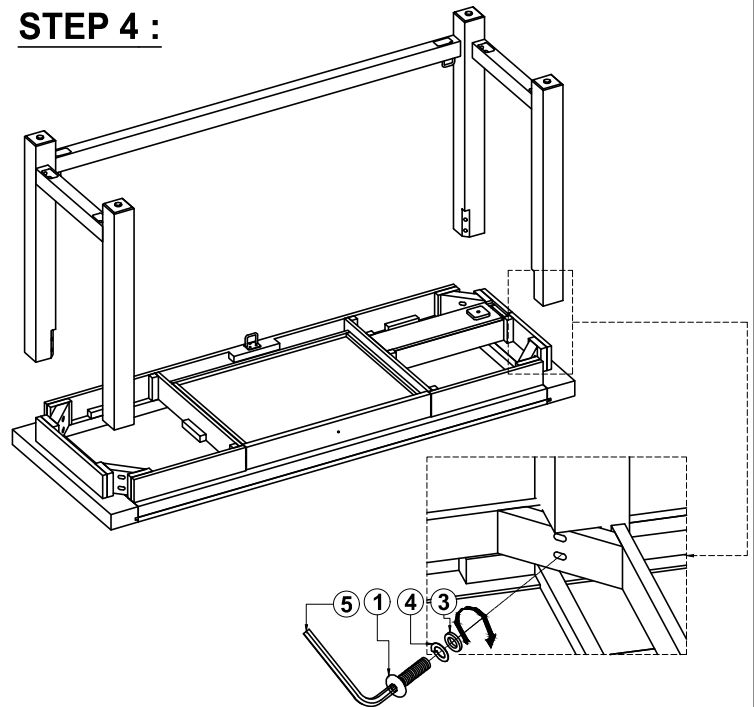
STEP 2 :



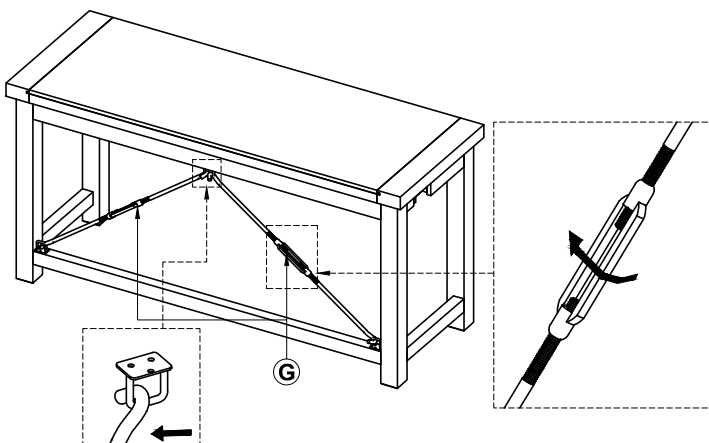
STEP 3 :



STEP 4 :



STEP 5 :



ASSEMBLY COMPLETE

