




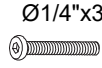





LIVING SPACES

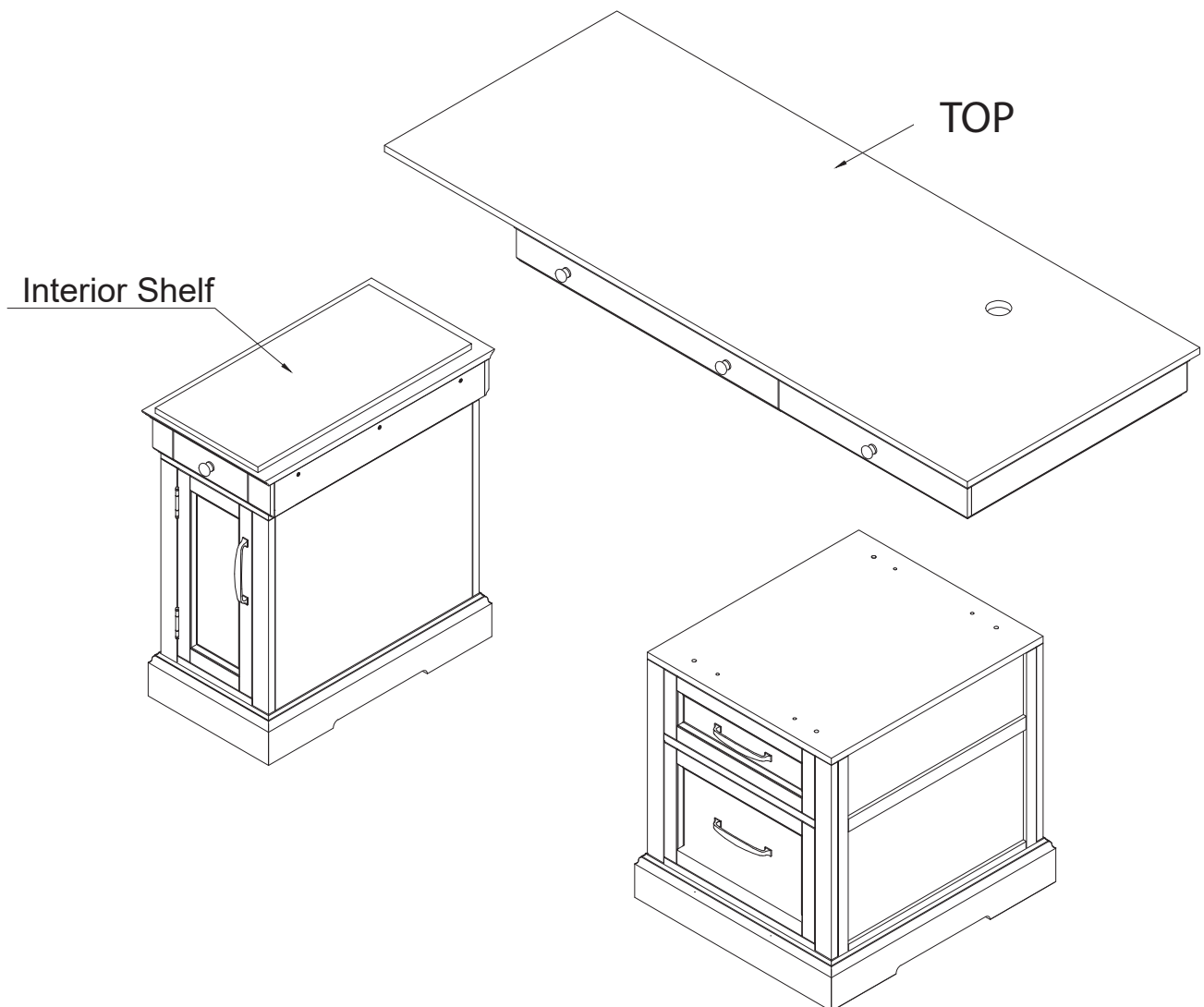
CROMWELL

72" EXECUTIVE DESK

SKU: 305921, 305922

Part List
Desk Top
Base Left (small)
Base Right (large)

Hardware bag			1SET
A	Bolt	 Ø1/4"x32mmL	11PCS
B	Lock washer	 1/4"xØ13mm	11PCS
C	Flat washer	 1/4"xØ16mm	11PCS
D	Allen Wrench	 4mm	1PC
E	Desk Grommet		1PC
F	Touch Up Pen		1PC





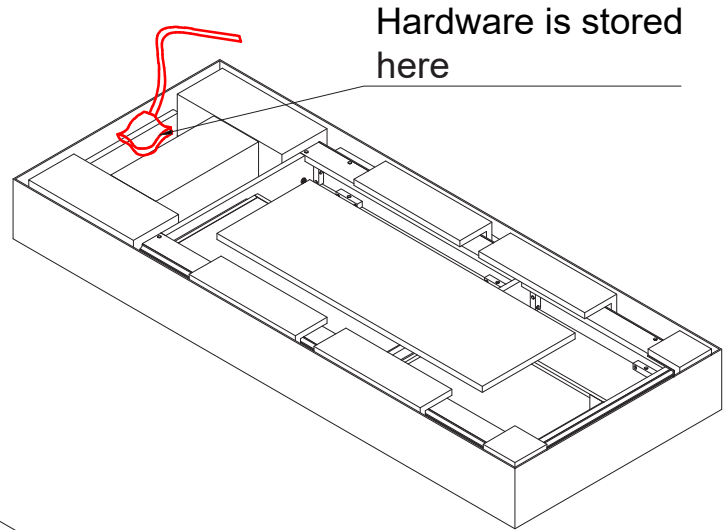
LIVING SPACES

CROMWELL

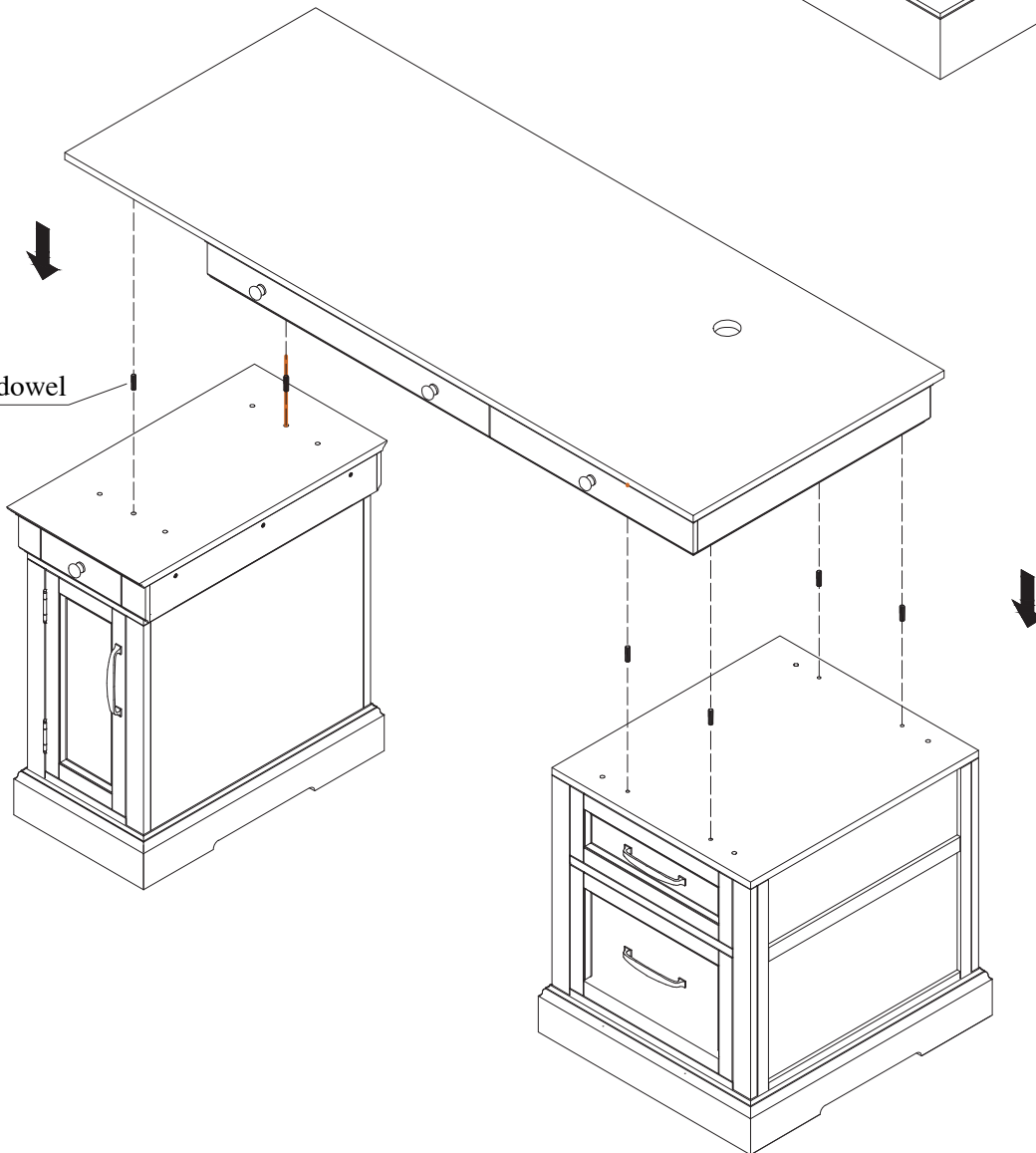
72" EXECUTIVE DESK

SKU: 305921, 305922

Step 1:



Wood dowel





LIVING SPACES

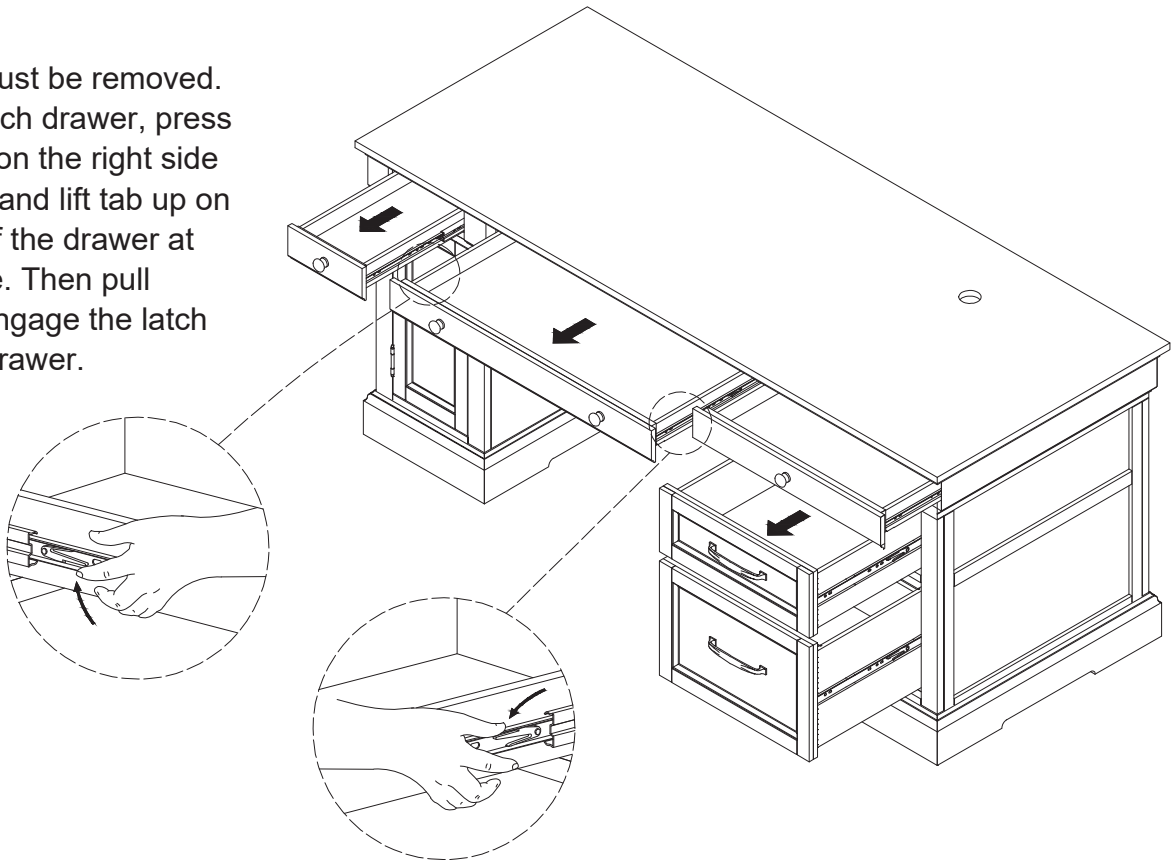
CROMWELL

72" EXECUTIVE DESK

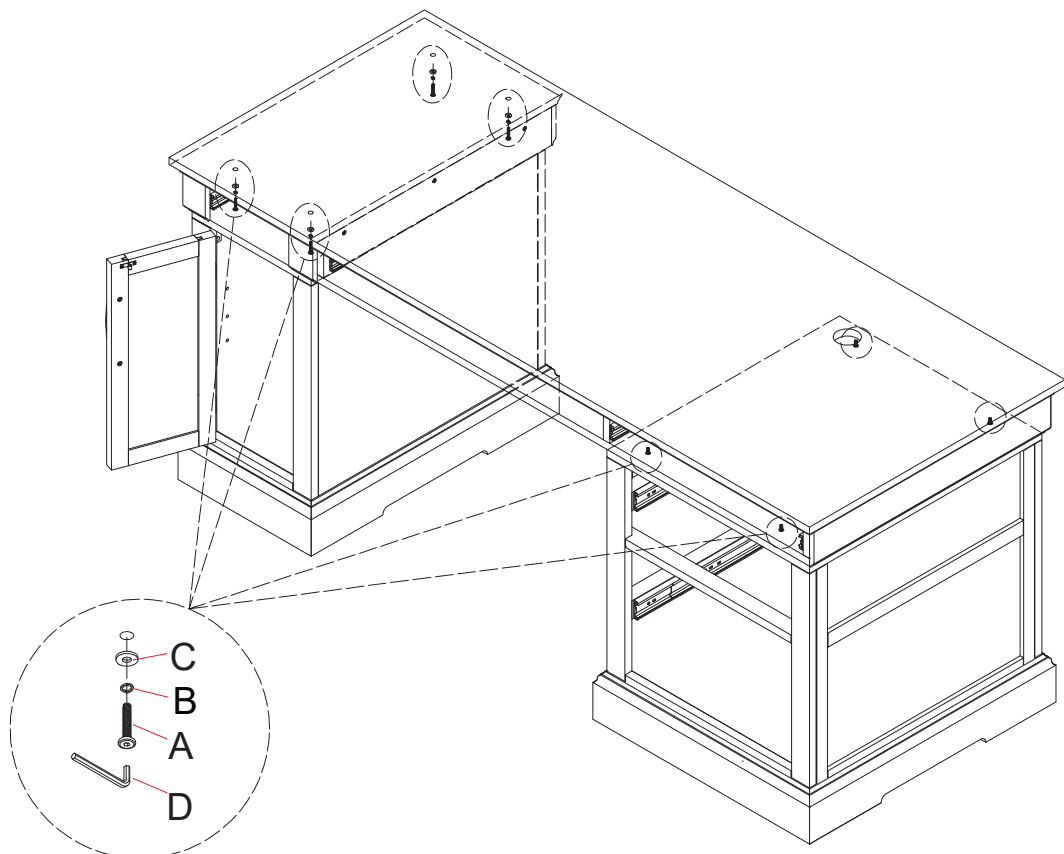
SKU: 305921, 305922

Step 2:

All drawers must be removed.
To remove each drawer, press the tab down on the right side of the drawer and lift tab up on the left side of the drawer at the same time. Then pull slowly to disengage the latch and remove drawer.



Step 3:





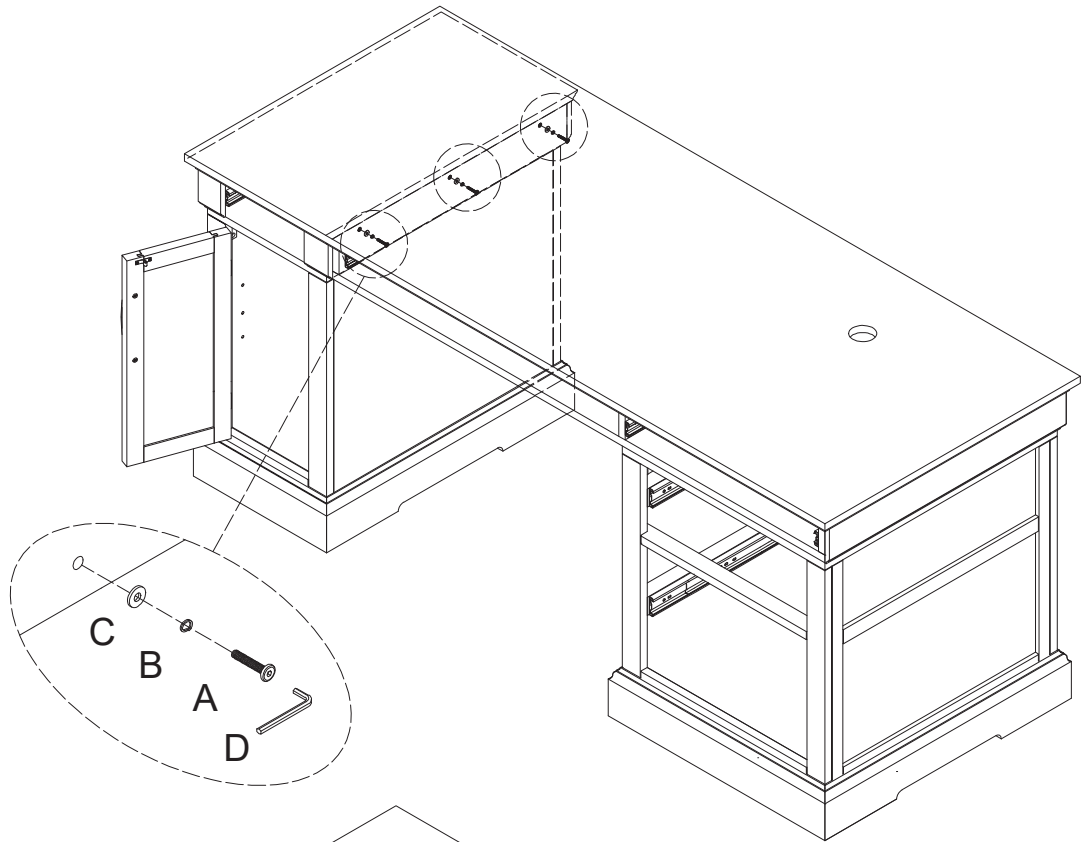
LIVING SPACES

CROMWELL

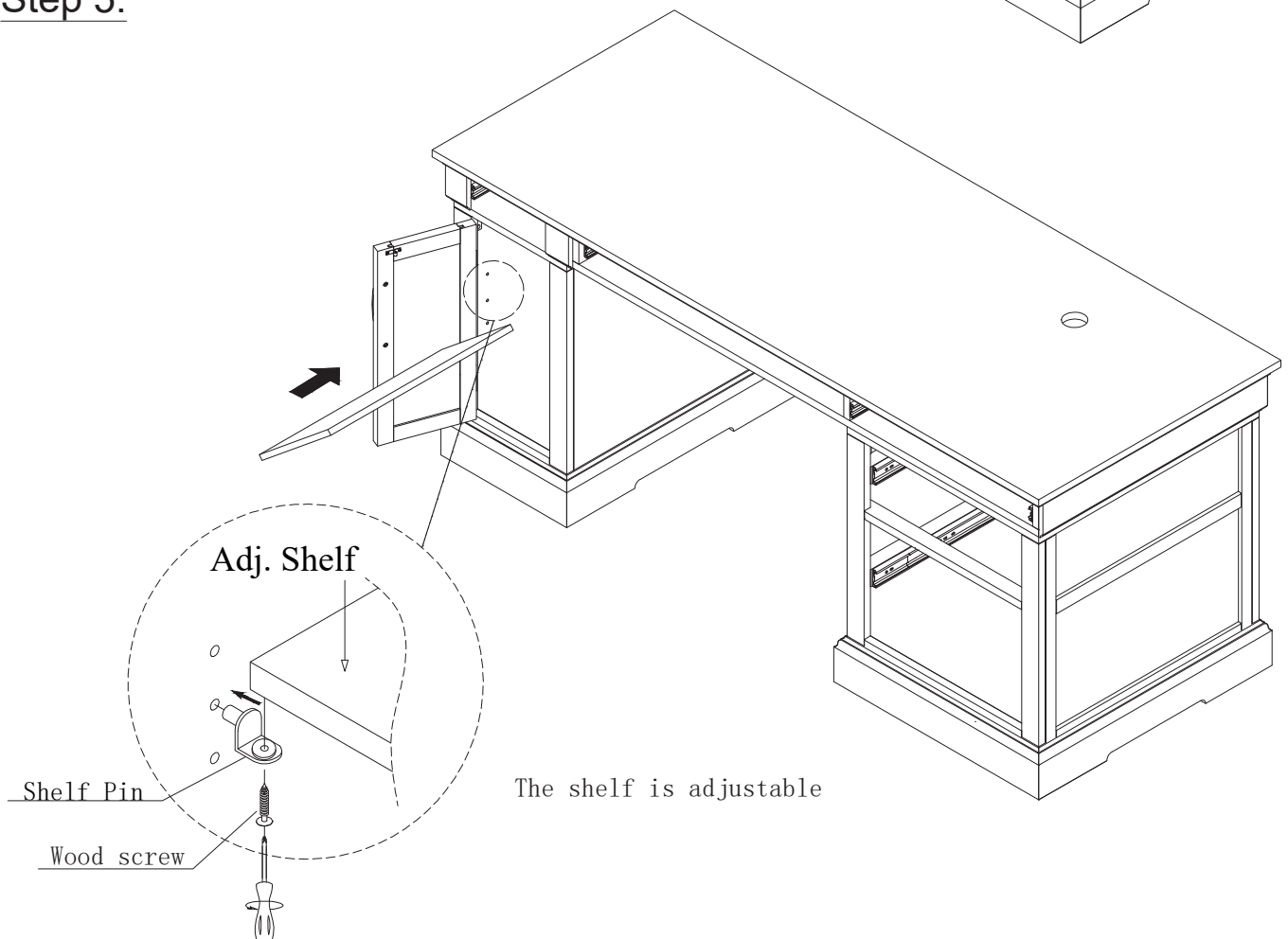
72" EXECUTIVE DESK

SKU: 305921, 305922

Step 4:



Step 5:





LIVING SPACES

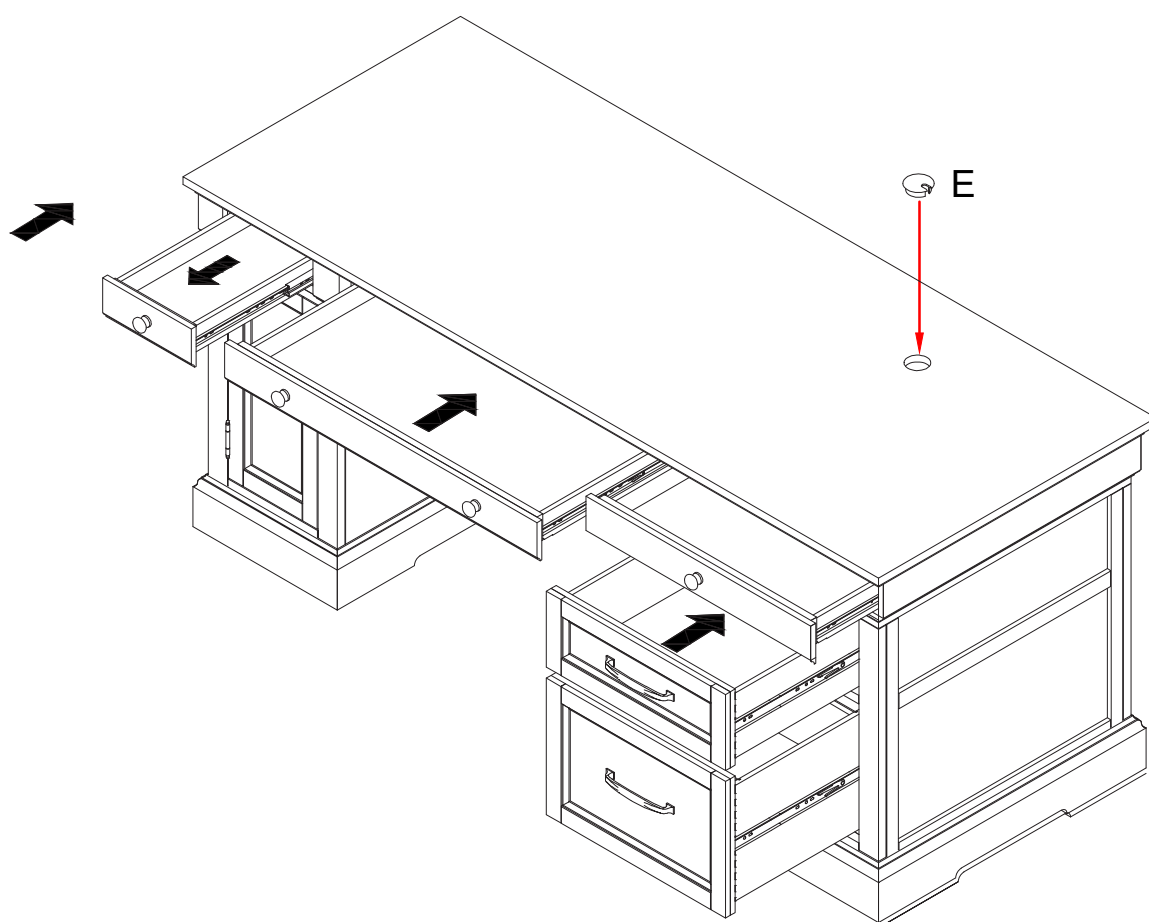
CROMWELL

72" EXECUTIVE DESK

SKU: 305921, 305922

Step 6:

Replace the drawers. Align the drawer rails with the receiving slides. Push drawer in all the way. Gently open and close the drawer to ensure it is seated properly on the slides.





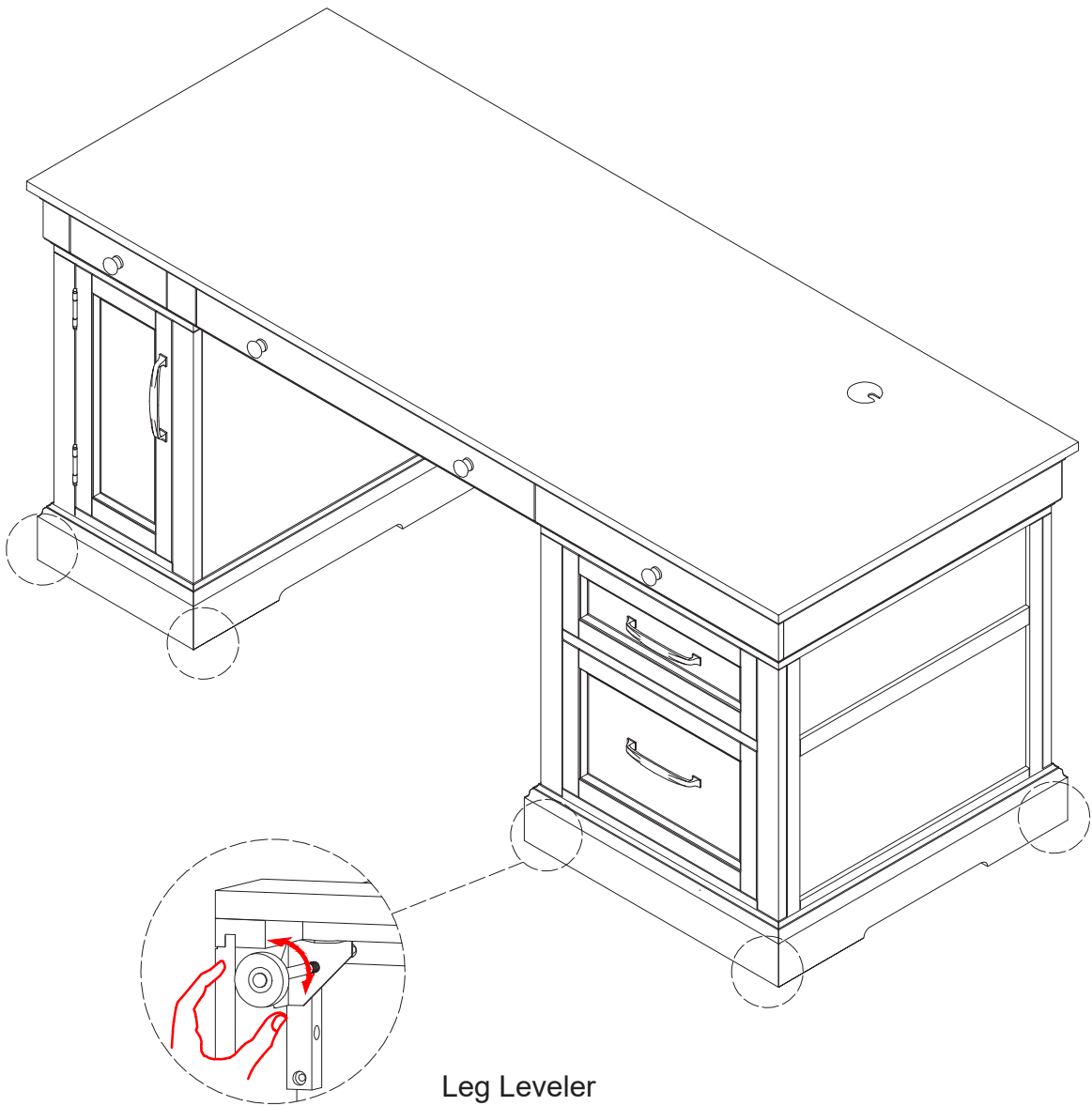
LIVING SPACES

CROMWELL

72" EXECUTIVE DESK

SKU: 305921, 305922

Step 9:



Leg Leveler