




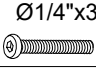


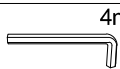

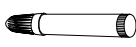
LIVING SPACES

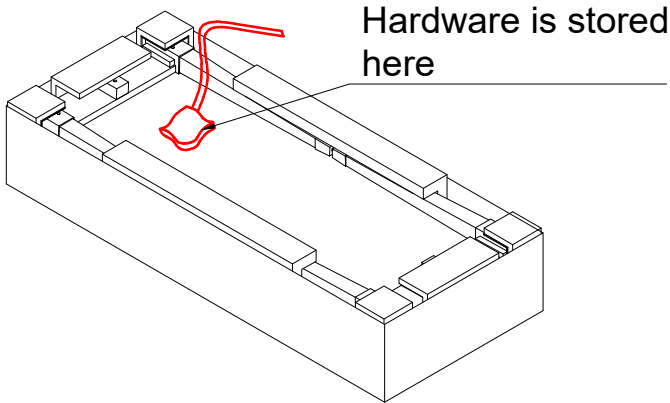
Assembly Instructions

Cromwell Writing Desk

Part List

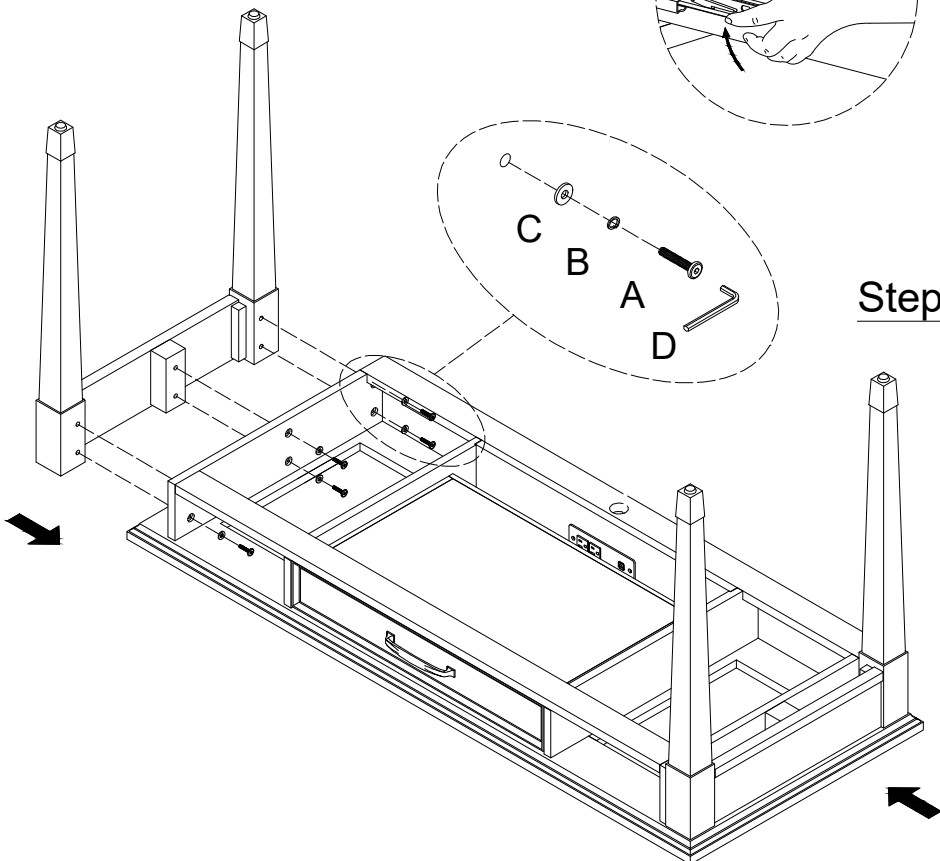
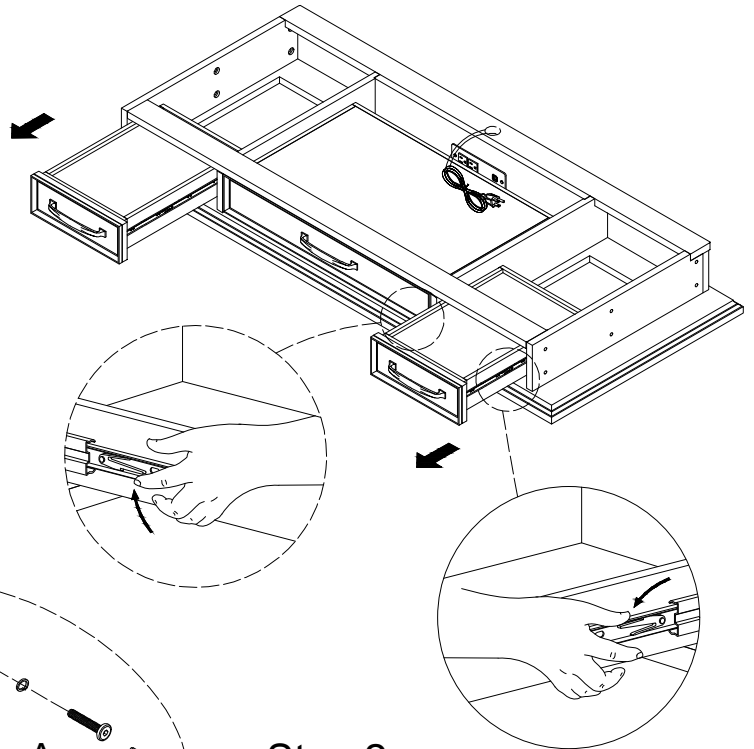
No.	Description	Q'ty
#1	Desk Top	1
#2	Side Frame	2

Hardware bag			1SET
A	Bolt	 $\varnothing 1/4" \times 32\text{mmL}$	12PCS
B	Lock washer	 $1/4" \times \varnothing 13\text{mm}$	12PCS
C	Flat washer	 $1/4" \times \varnothing 16\text{mm}$	12PCS
D	Allen Wrench	 4mm	1PC
E	Desk Grommet		2PCS
F	Touch Up Pen		1PC



Step 1:

Take out the drawer. Press the tab down on the right side of the drawer and lift tab up on the left side of the drawer at the same time. Then pull drawer out another inch to disengage latch.



Step 2:



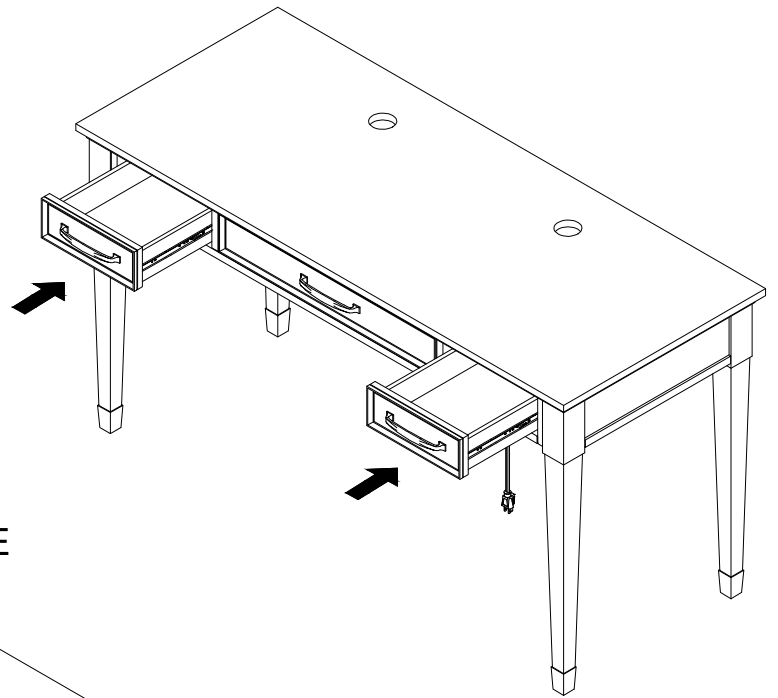
Assembly Instructions

Cromwell Writing Desk

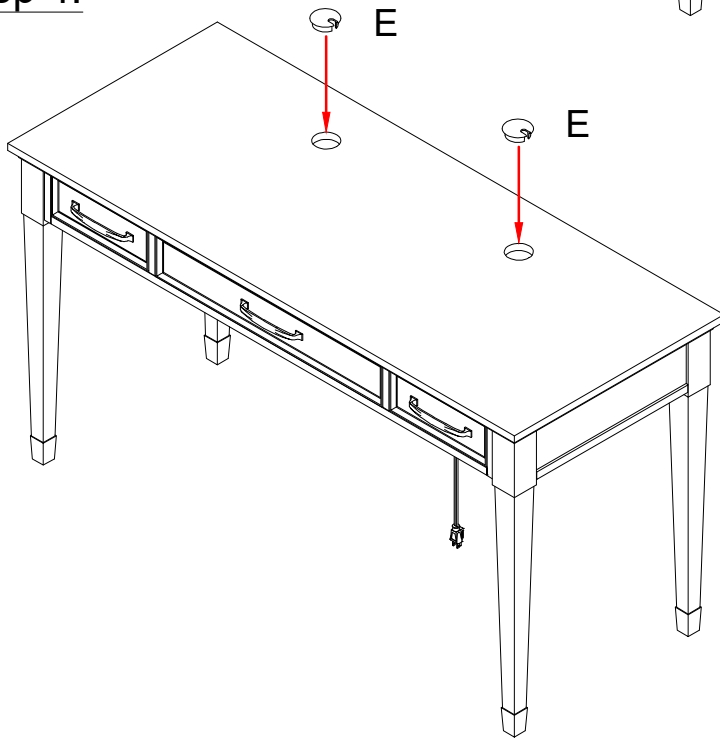
LIVING SPACES

Step 3:

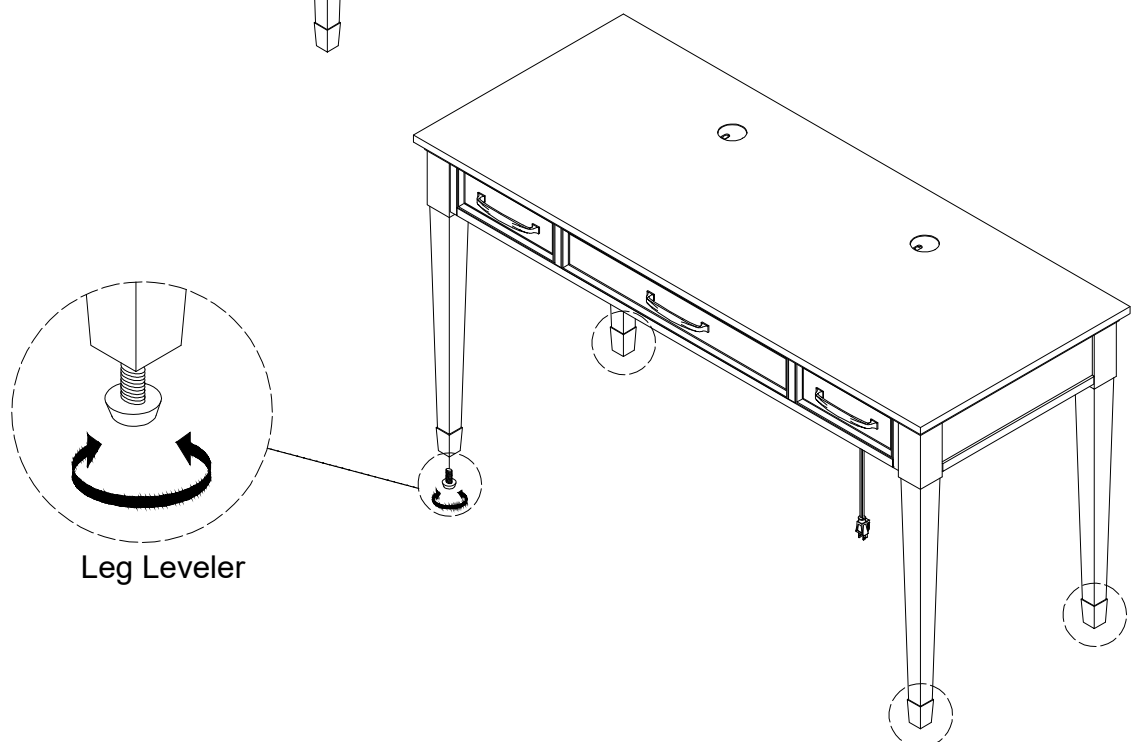
Replace the drawers. Align the drawer rails with the receiving slides. Push drawer in all the way. Gently open and close the drawer to ensure it is seated properly on the slides.



Step 4:



Step 5:



Leg Leveler