



ASSEMBLY INSTRUCTION

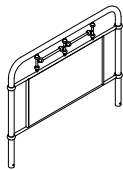
4982T-1 TWIN METAL BED

HOMELEGANCE

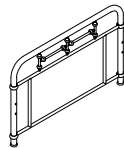
PART LIST:



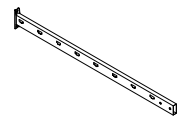
A:Lsf/Rsf hb Leg
2PCS



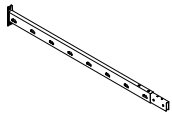
B:Headboard
1PC



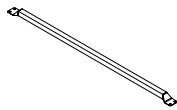
C:Footboard
1PC



D:Side Rail
2PCS



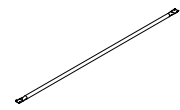
E:Side Rail
2PCS



F:Center Cross Bar
1PC



G:Center Slat
Support Leg
2PC



H:Slat
16PCS

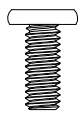


I:Slat Connector
32PCS

HARDWARE LIST:



1: Bolt 1/4*22mm
X 8pcs



2: Bolt 5/16*19mm
X 8pcs



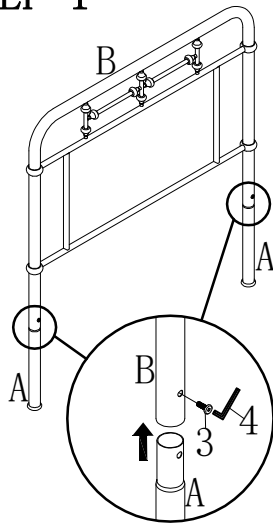
3: Bolt 1/4*17.5mm
X 6pcs



4: Allen Key
X 1pc

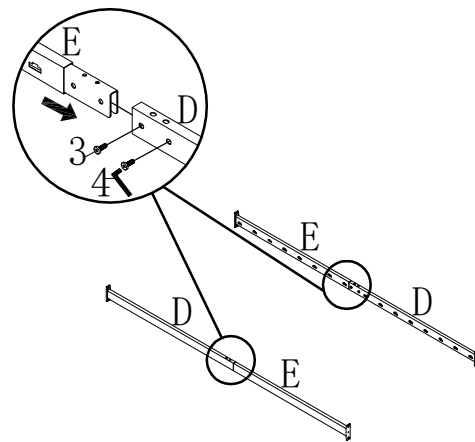
Note: Please do not tighten all bolts until the bed is assembled completely.

STEP 1



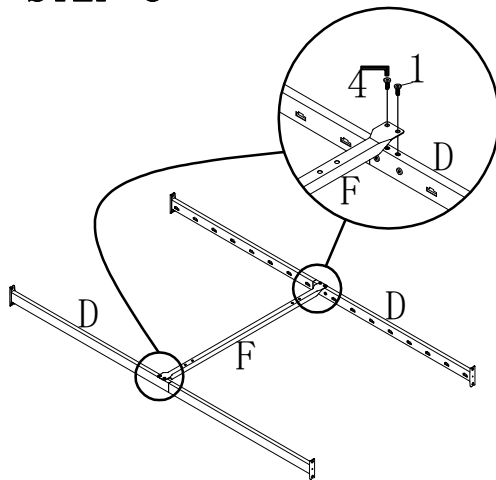
Hardware 3: 2 pcs

STEP 2



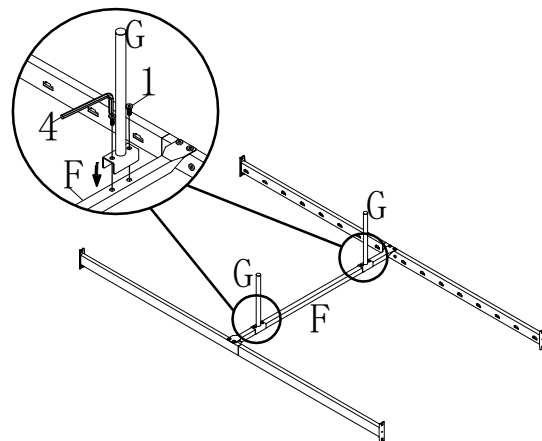
Hardware 3: 4 pcs

STEP 3



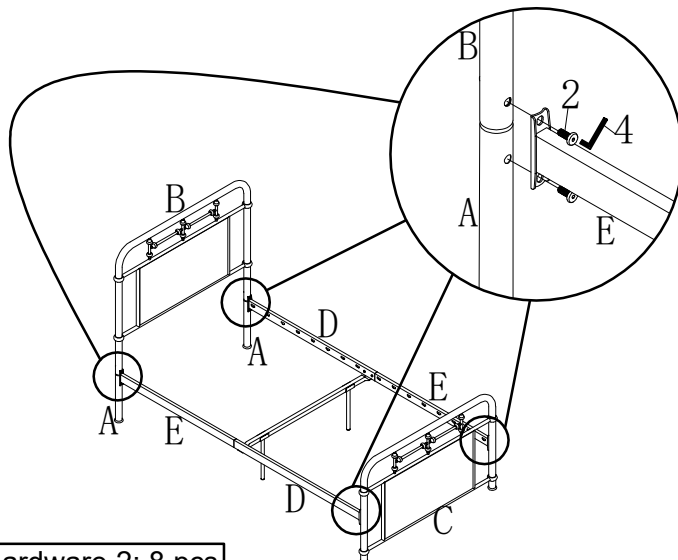
Hardware 1: 4 pcs

STEP 4



Hardware 1: 4 pcs

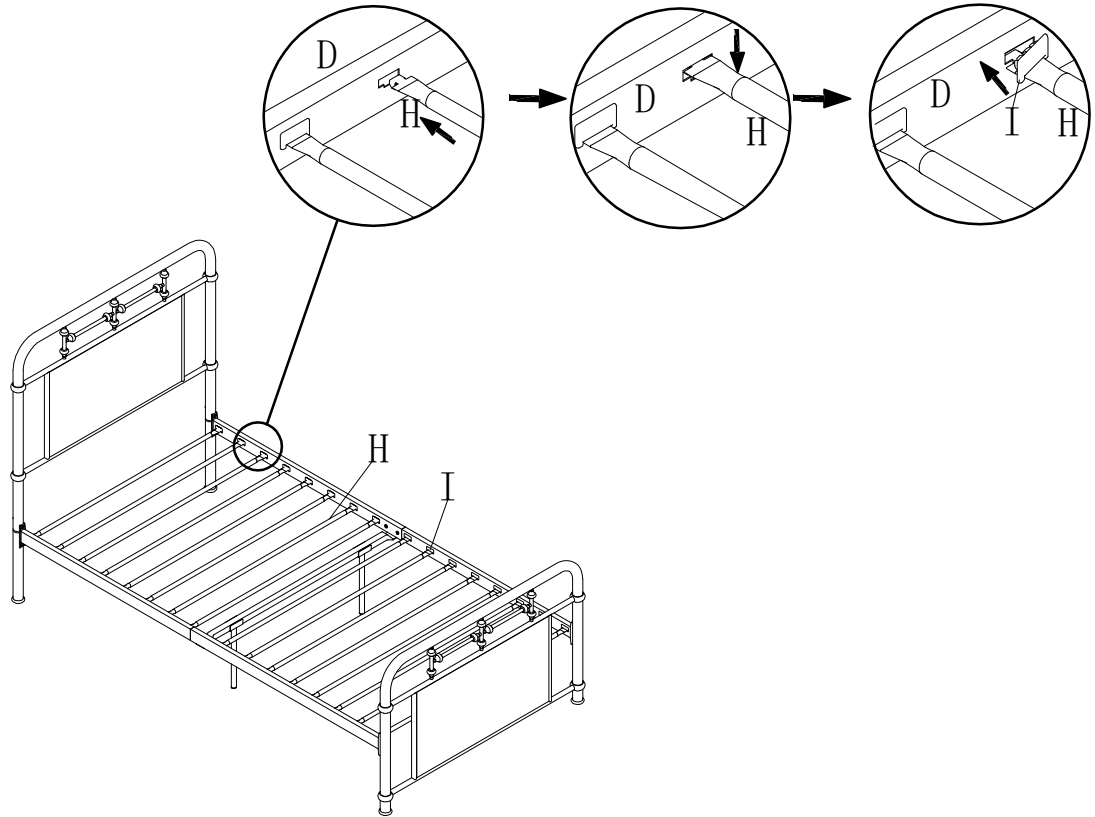
STEP 5



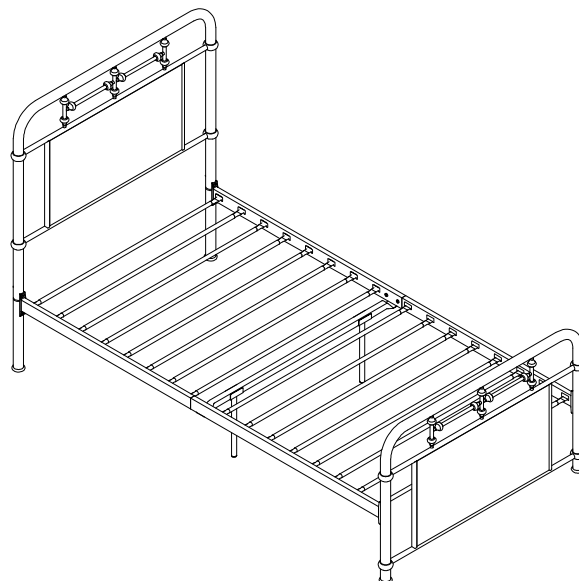
Hardware 2: 8 pcs

Note: Please do not tighten all bolts until the bed is assembled completely.

STEP 6



COMPLETED



For items use on wooden floor, hard surfaces or carpets, it is recommended to install protective pads under all legs and supports to avoid/prevent from damages/scratches and discoloration.