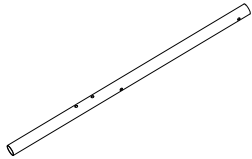




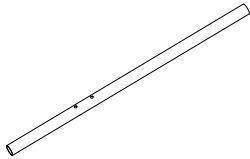
# ASSEMBLY INSTRUCTION

HOMELEGANCE 2052FW-1 FULL BED, WHITE

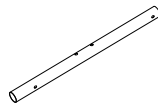
## PART LIST:



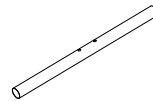
A: LSF Headboard post  
x 1pc



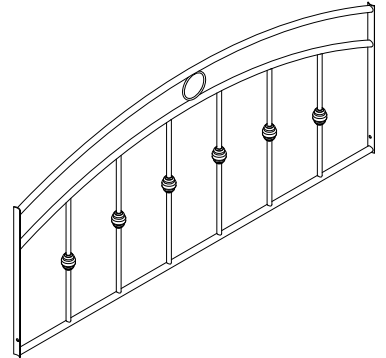
B: RSF Headboard post  
x1pc



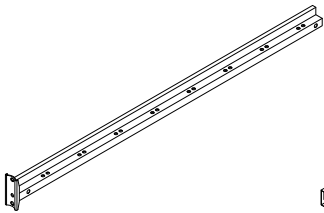
C: LSF Footboard post  
x1pc



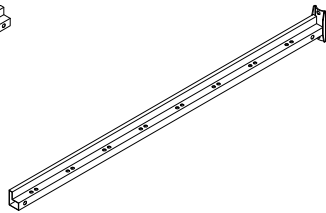
D: RSF Footboard post  
x1pc



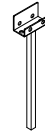
E: Headboard & Footboard Frame  
x2pcs



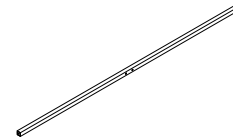
F: Rail section (1)  
x 2pcs



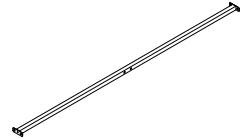
G: Rail section (2)  
x 2pcs



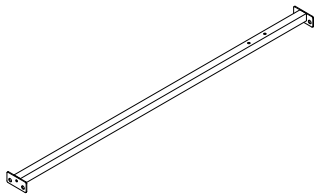
H: Rail Support Legs  
x 2pcs



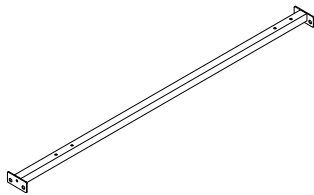
I: Front/Rear Support Bar  
x 2pcs



J: Center support Bar  
x 1pc



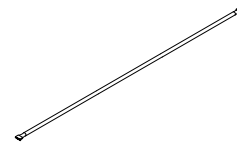
K: Front Center Rail  
x 1pc



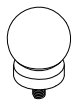
L: Rear Center Rail  
x 1pc



M: Center Support Legs  
x 3pcs



N: Slat with Connectors  
x 16pcs



O: Finial  
x 4pcs

## HARDWARE LIST:



1: Bolt 1/4\*46mm  
x8pcs



2: Bolt 1/4\*36mm  
x2pcs



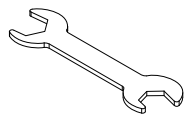
3: Bolt 1/4\*16mm  
x30pcs



4: Nut  
x6pcs



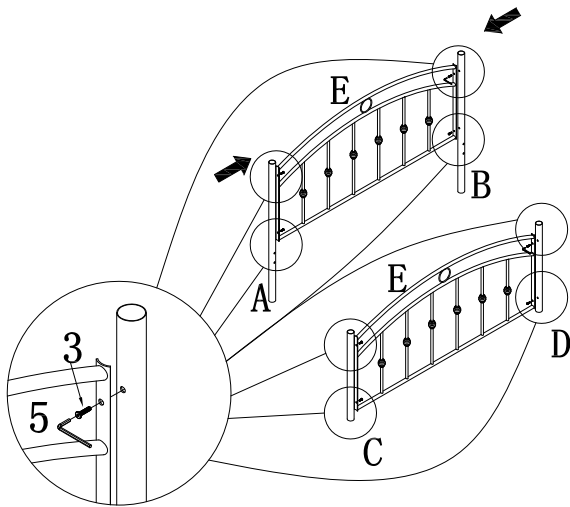
5: Allen Key  
x1pc



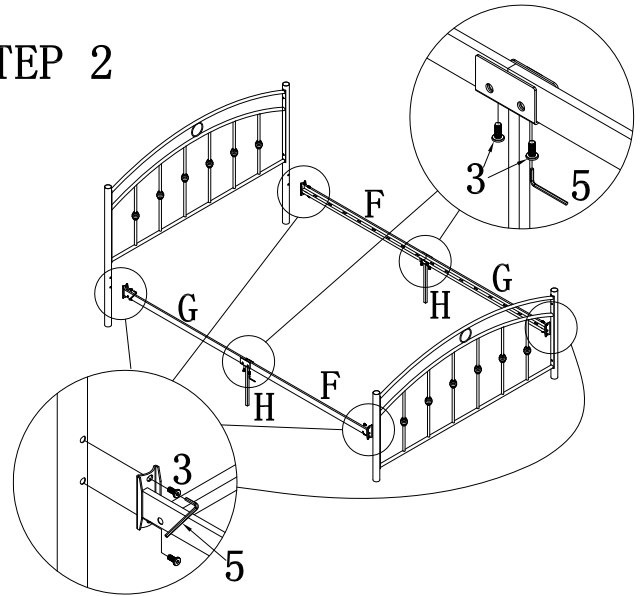
6: Wrench  
x1pc

Note: Please do not tighten all bolts until the bed is assembled completely.

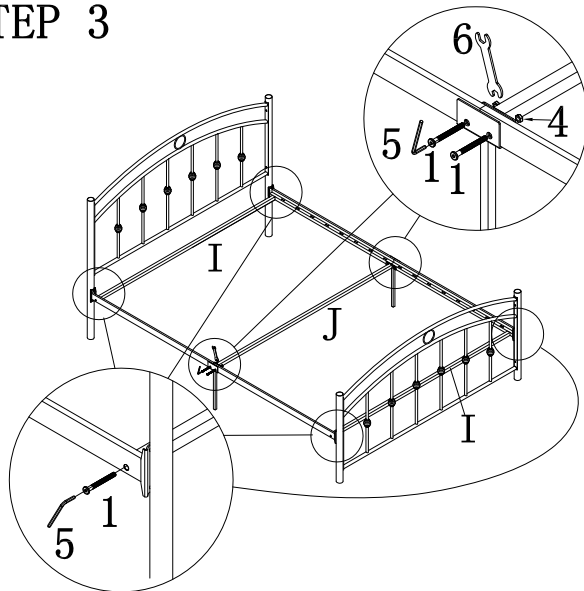
STEP 1



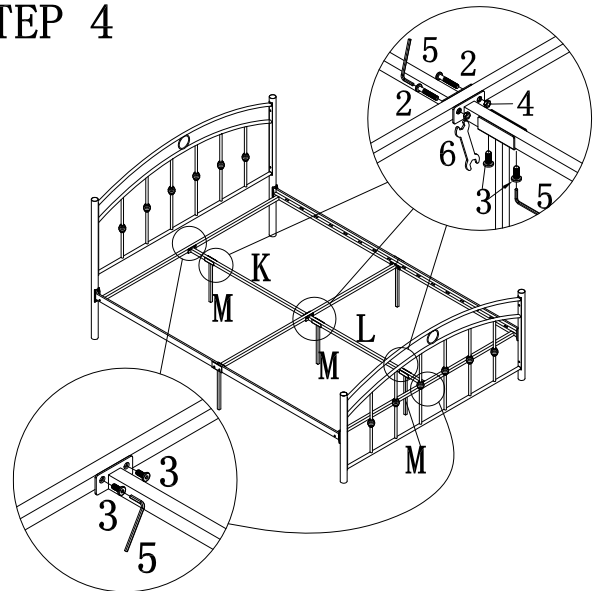
STEP 2



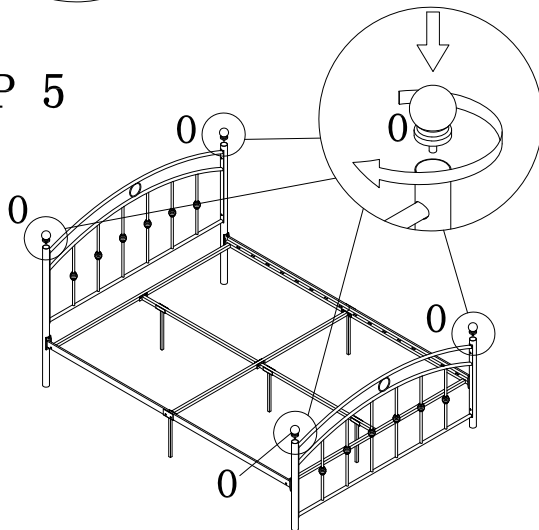
STEP 3



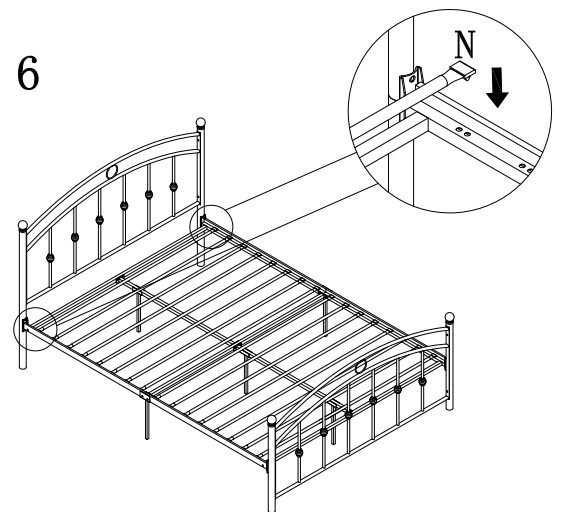
STEP 4



STEP 5



STEP 6



For items use on wooden floor, hard surfaces or carpets, it is recommended to install protective pads under all legs and supports to avoid/prevent from damages/scratches and discoloration.