







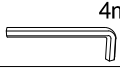



LIVING SPACES

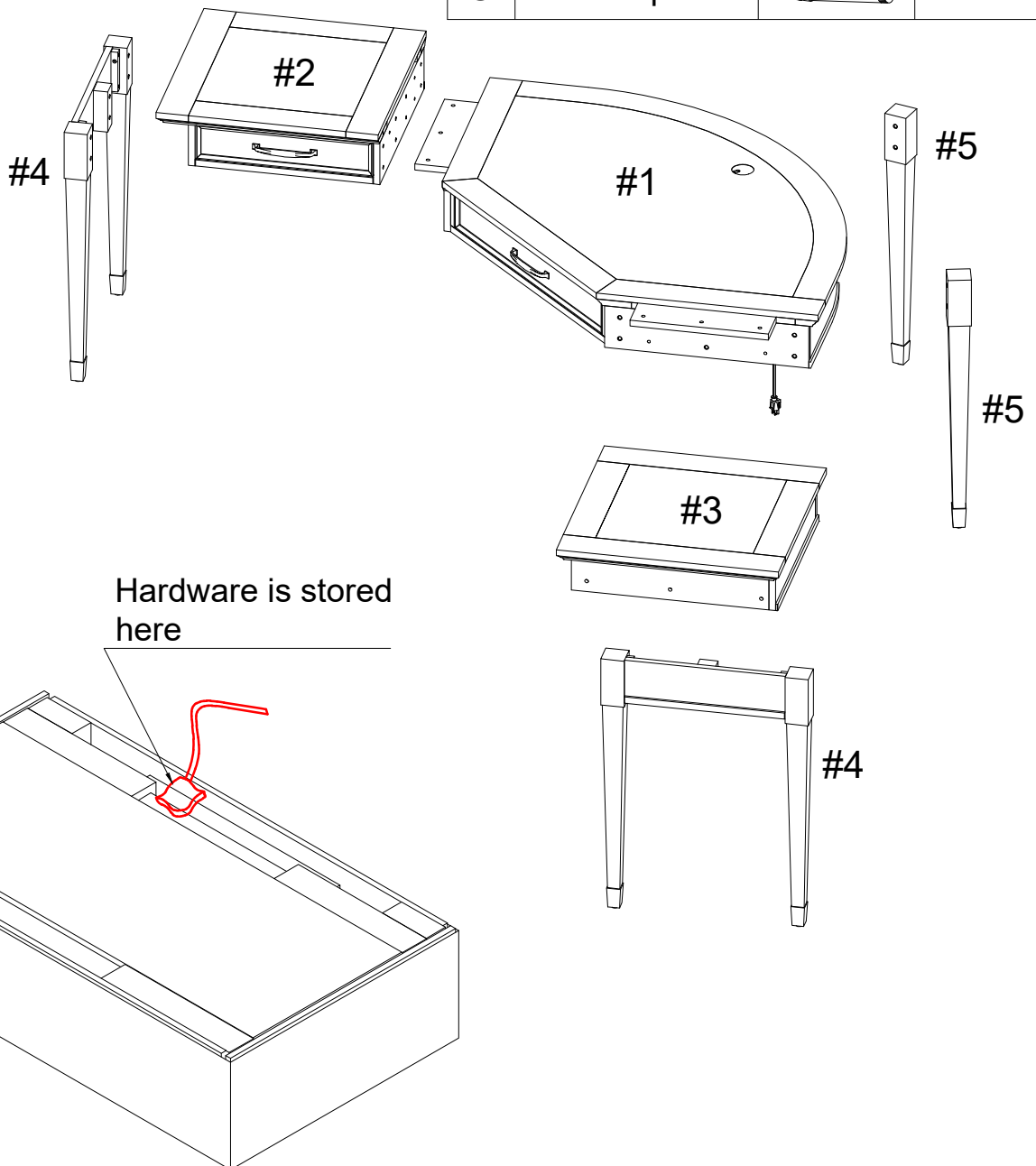
Assembly Instructions

Cromwell Boomerang Desk

Part List

No.	Description	Q'ty
#1	Middle Desk Top	1
#2	Left Desk Top	1
#3	Right Desk Top	1
#4	Side Frame	2
#5	Back Leg	2

Hardware bag			1SET
A	Bolt	 Ø1/4"x32mmL	34PCS
B	Lock washer	 1/4"xØ13mm	34PCS
C	Flat washer	 1/4"xØ16mm	34PCS
D	Allen Wrench	 4mm	1PC
E	Wood dowel	 Ø8x30mm	8PCS
F	Desk Grommet		1PC
G	Touch Up Pen		1PC





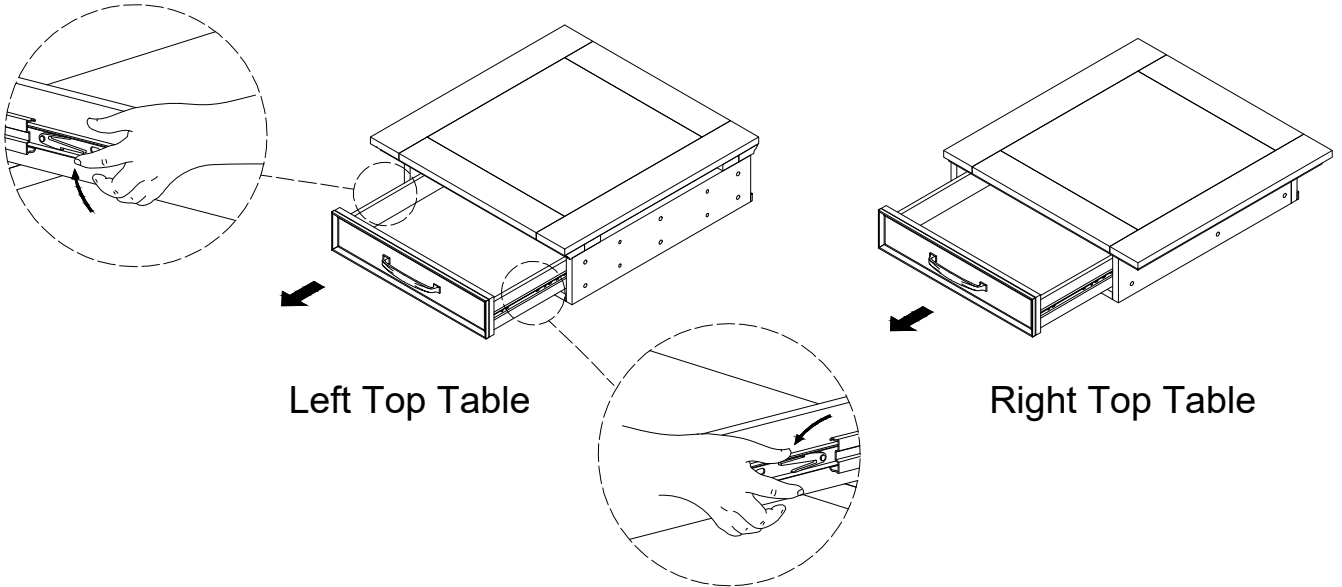
Assembly Instructions

Cromwell Boomerang Desk

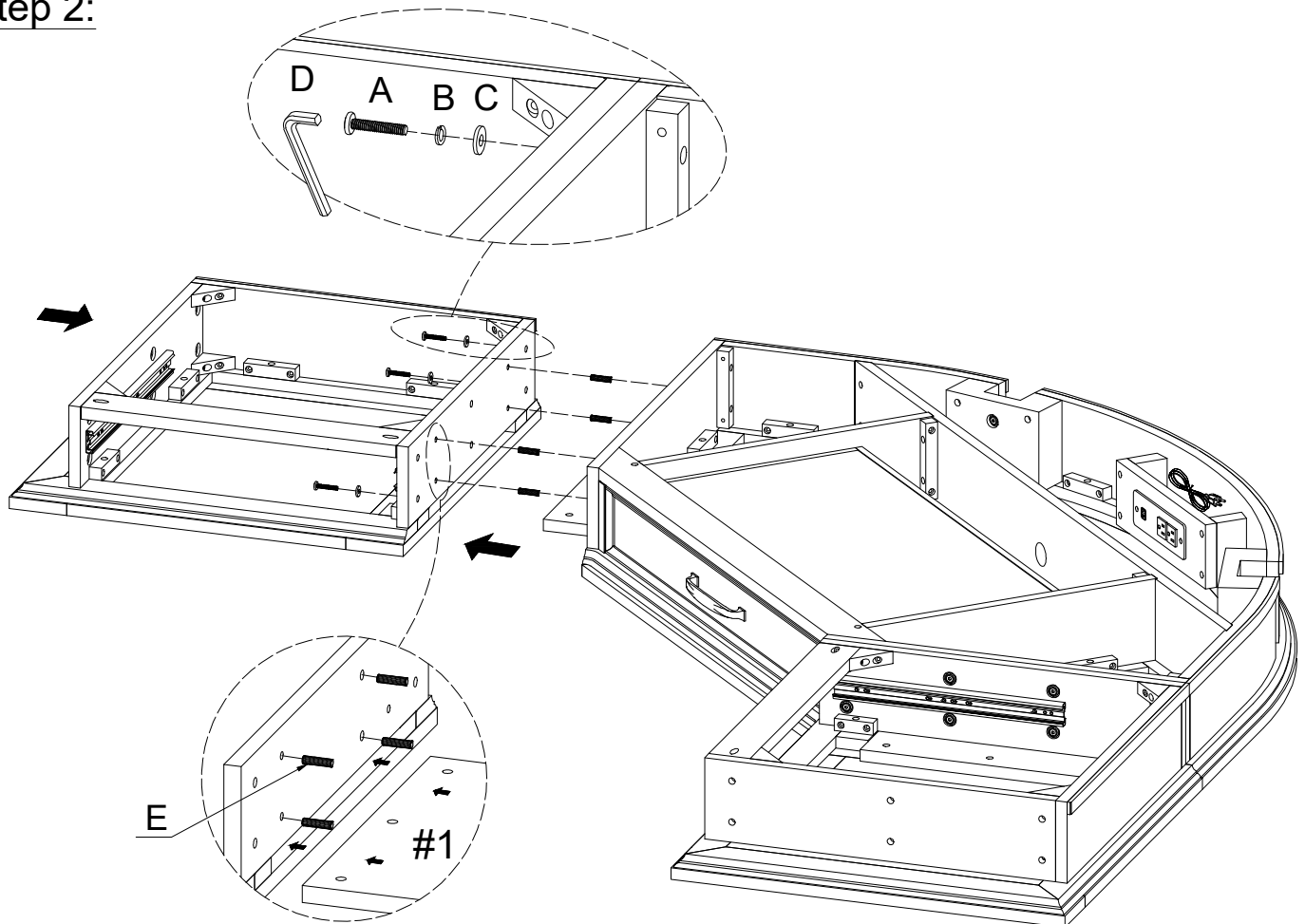
LIVING SPACES

Step 1:

Replace the drawers. Press the tab down on the right side of the drawer and lift tab up on the left side of the drawer at the same time. Then pull drawer out another inch to disengage latch.



Step 2:



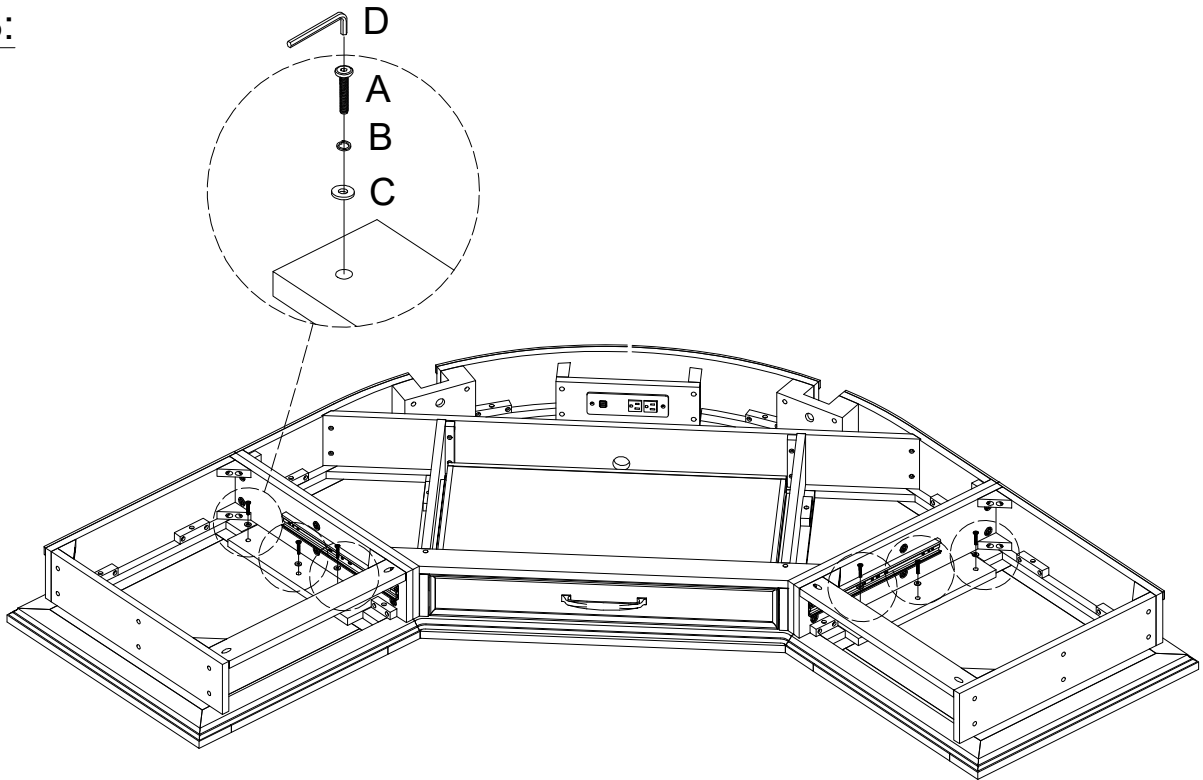


Assembly Instructions

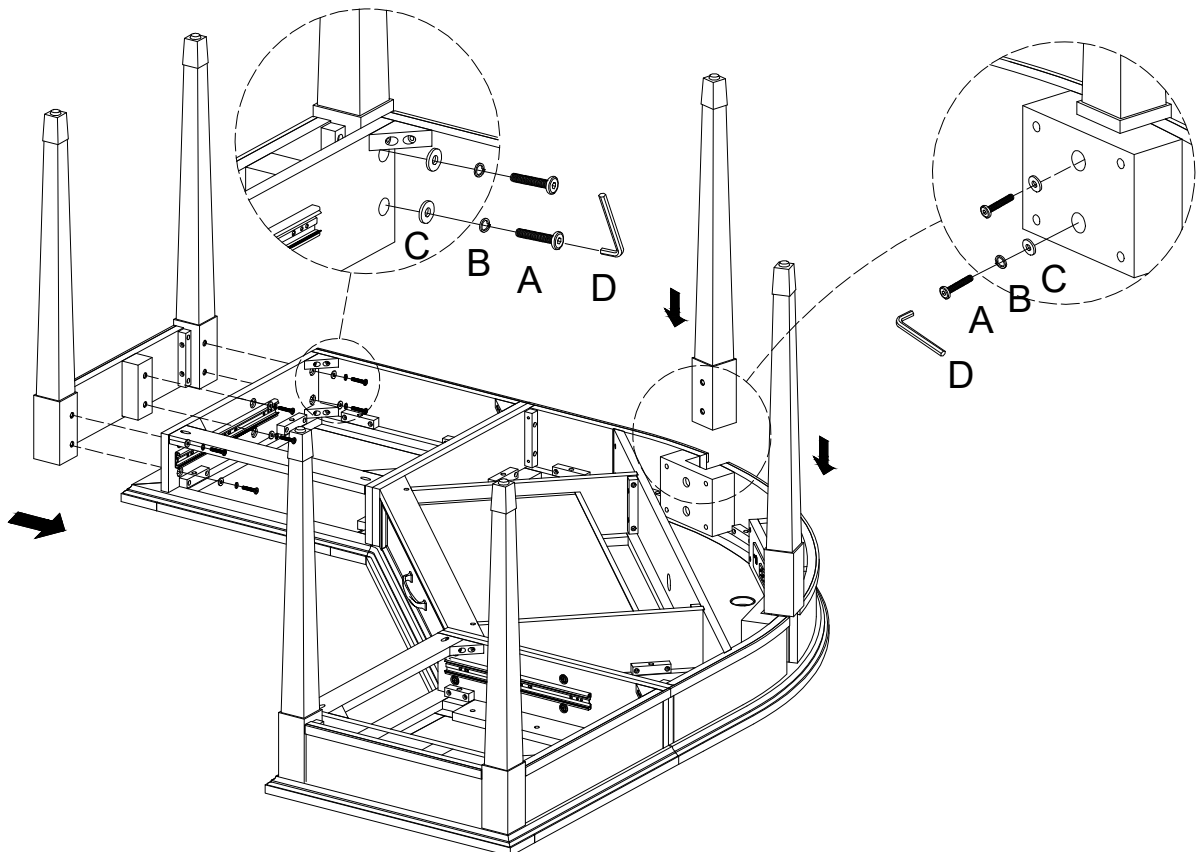
Cromwell Boomerang Desk

LIVING SPACES

Step 3:



Step 4:





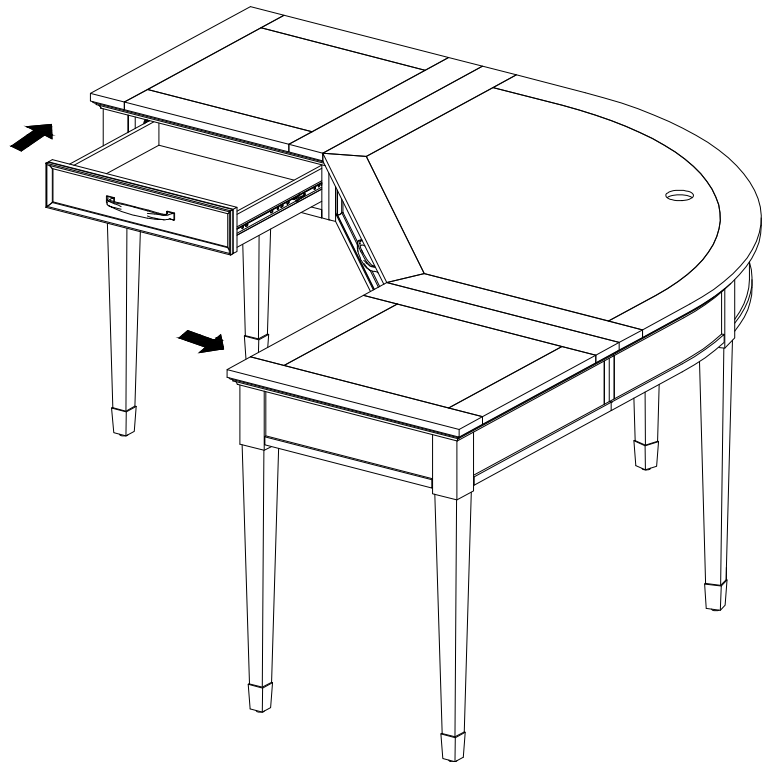
Assembly Instructions

Cromwell Boomerang Desk

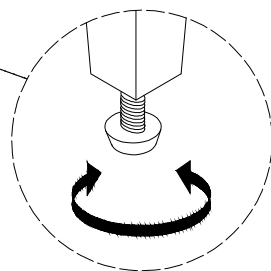
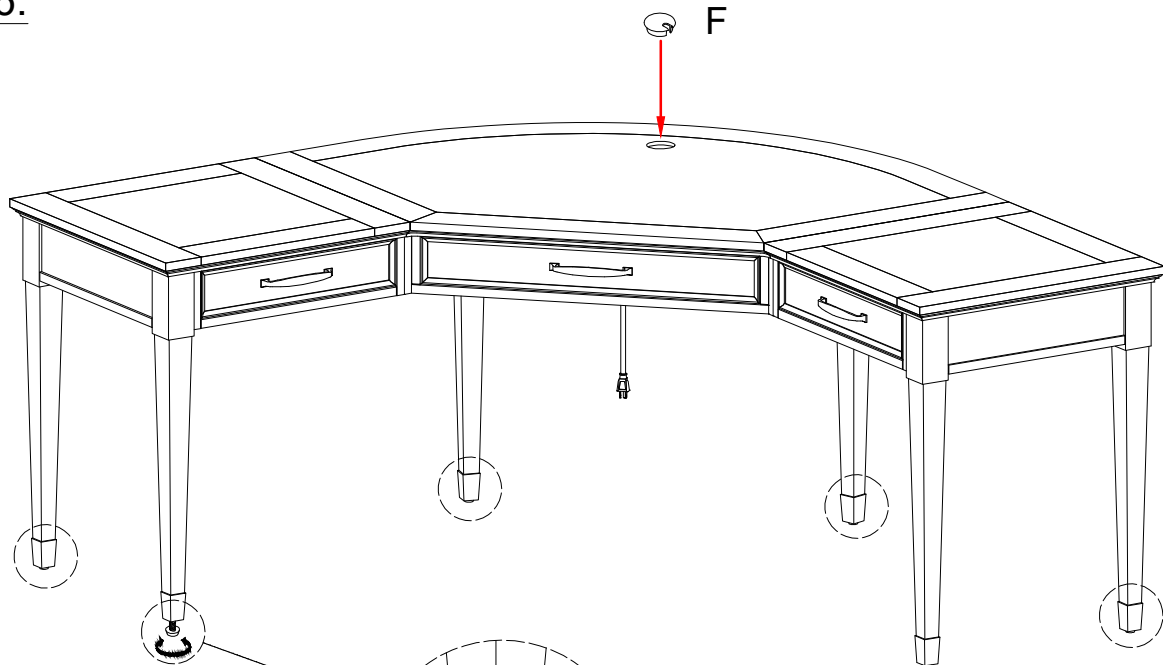
LIVING SPACES

Step 5:

Replace the drawers. Align the drawer rails with the receiving slides. Push drawer in all the way. Gently open and close the drawer to ensure it is seated properly on the slides.



Step 6:



Leg Leveler