





LIVING SPACES

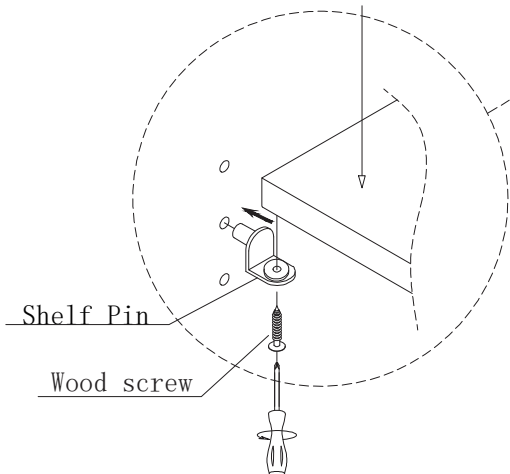
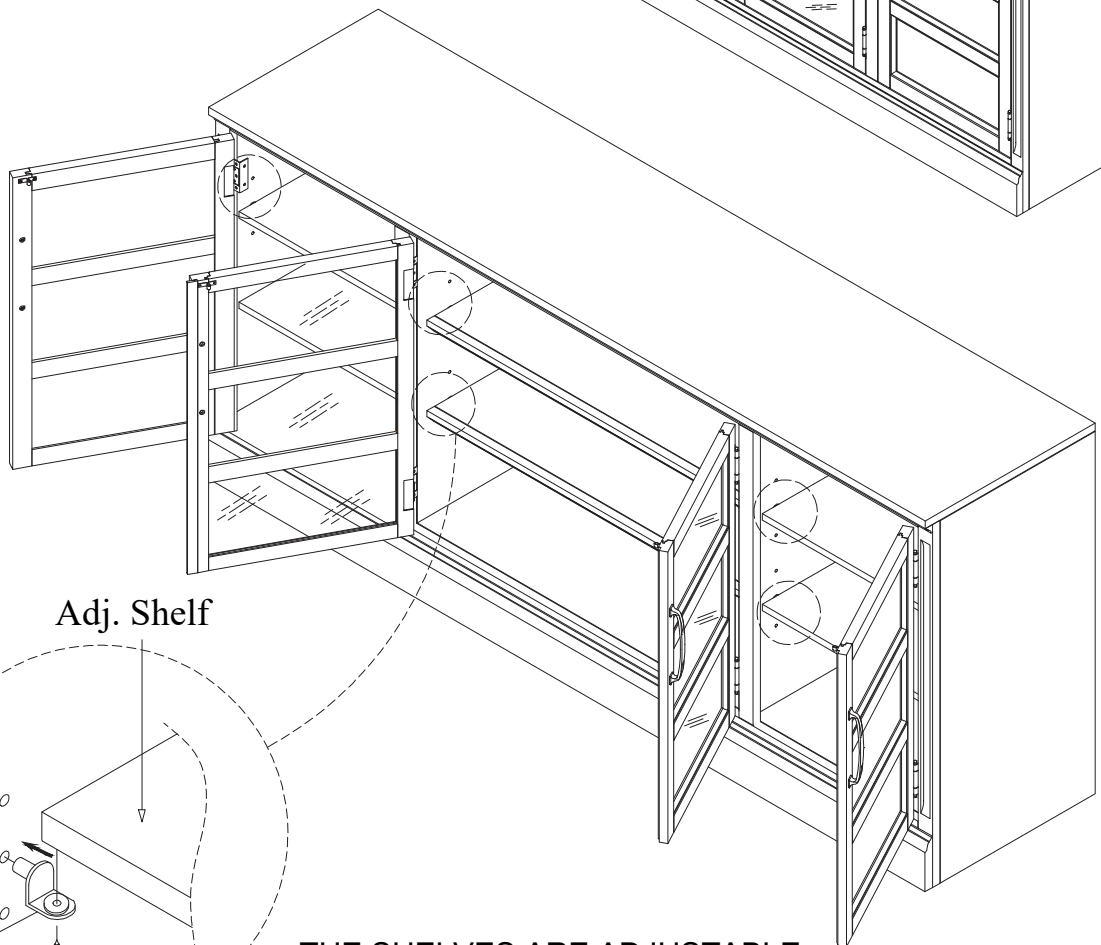
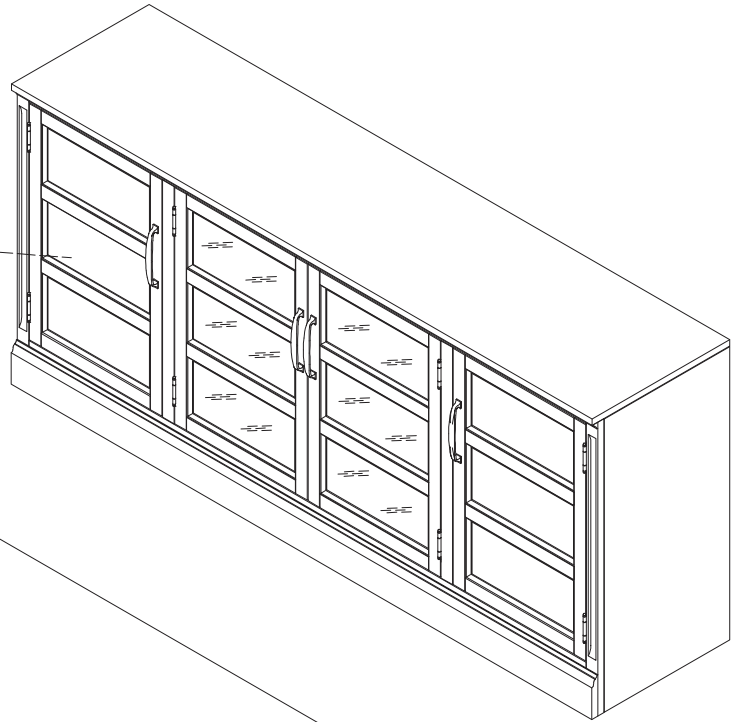
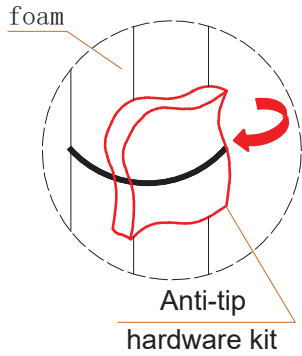
# CROMWELL

ASSEMBLY INSTRUCTIONS

SKU: 305260

305261

|              |  |      |
|--------------|--|------|
| Hardware bag |               | 1SET |
| A            | Anti-tip hardware kit  | 1PC  |
| B            | Touch Up Pen  | 1PC  |





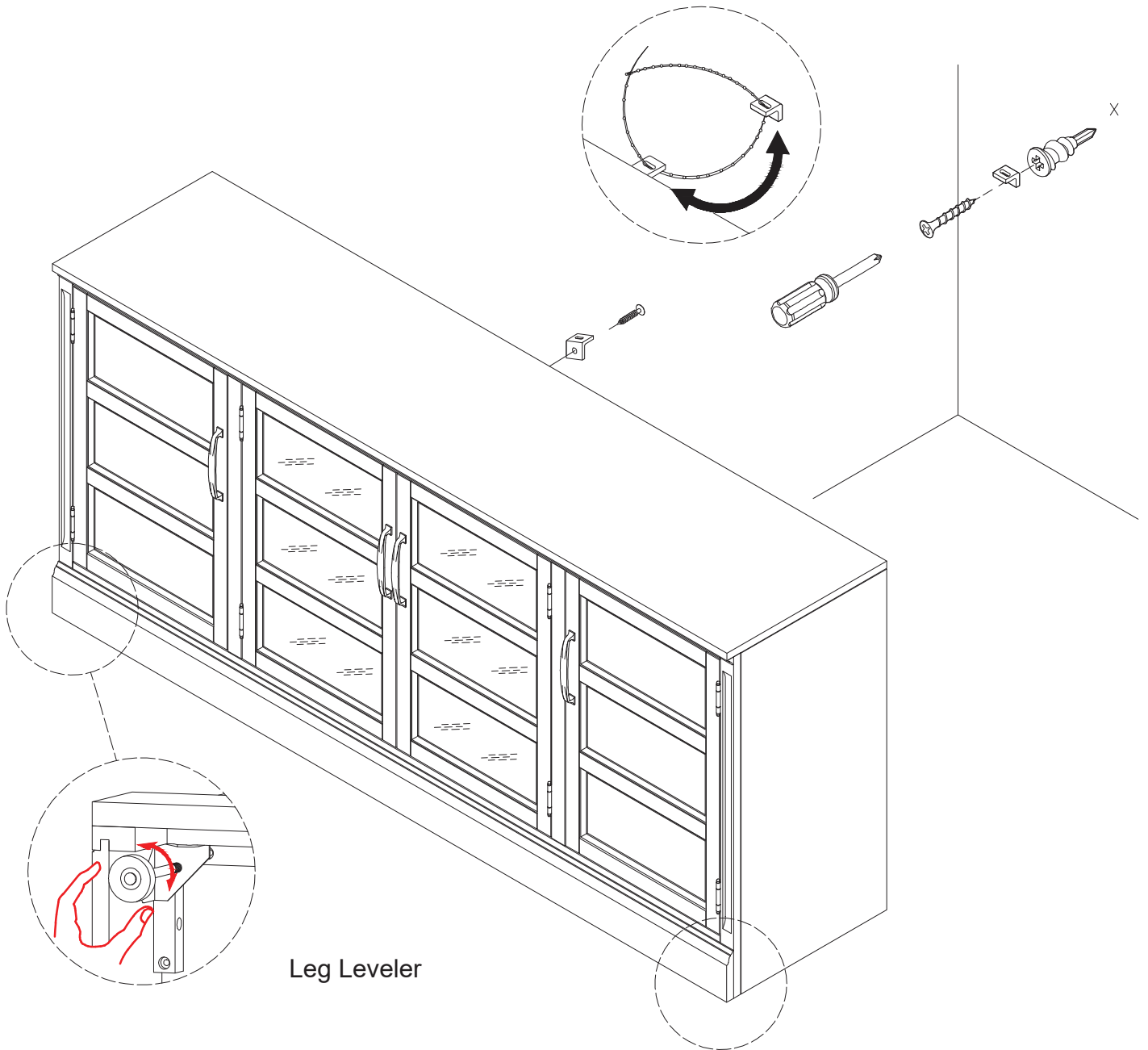
LIVING SPACES

# CROMWELL

ASSEMBLY INSTRUCTIONS

SKU: 305260

305261



Leg Leveler



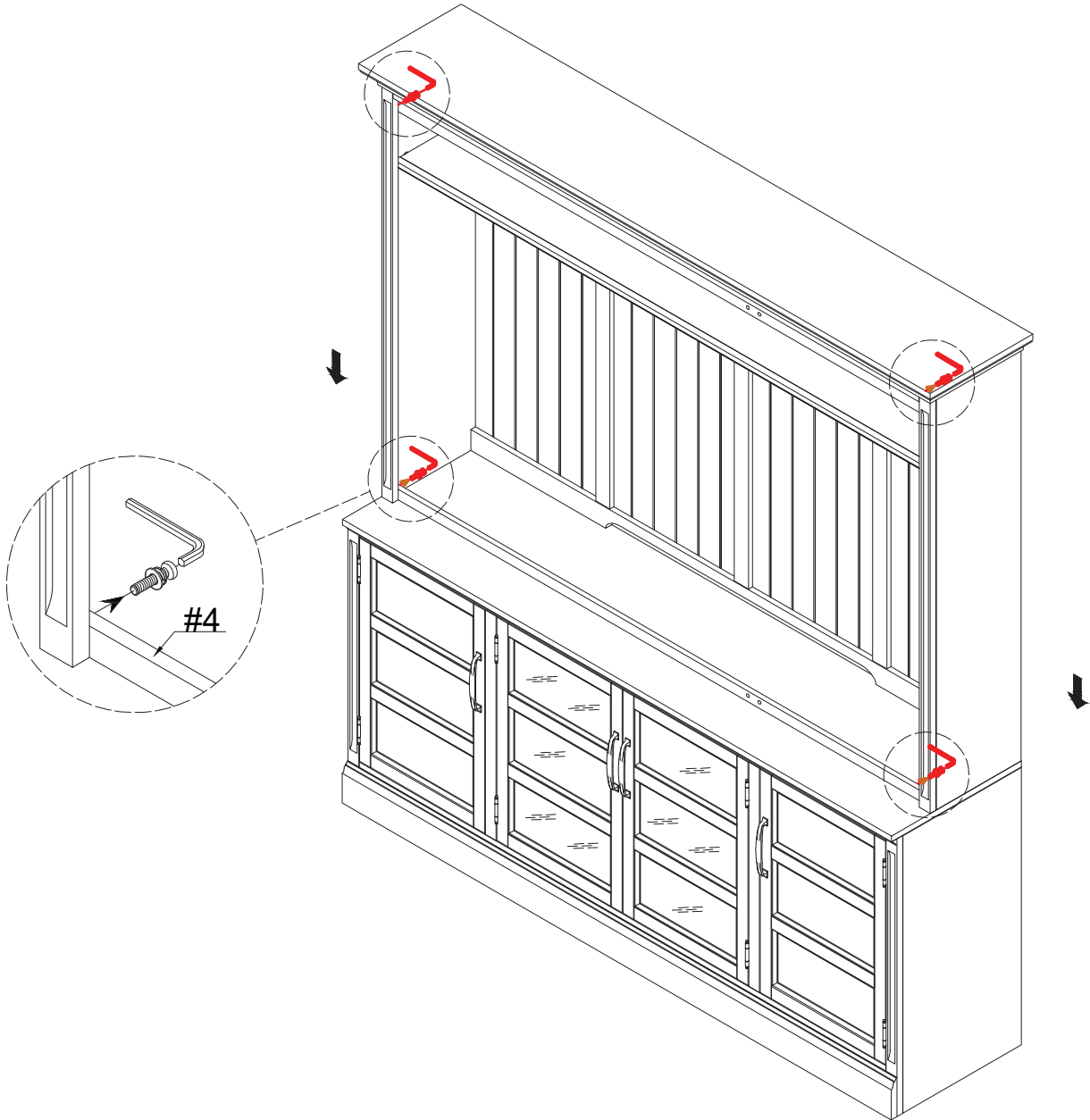
LIVING SPACES

# CROMWELL

ASSEMBLY INSTRUCTIONS

SKU: 305260

305261





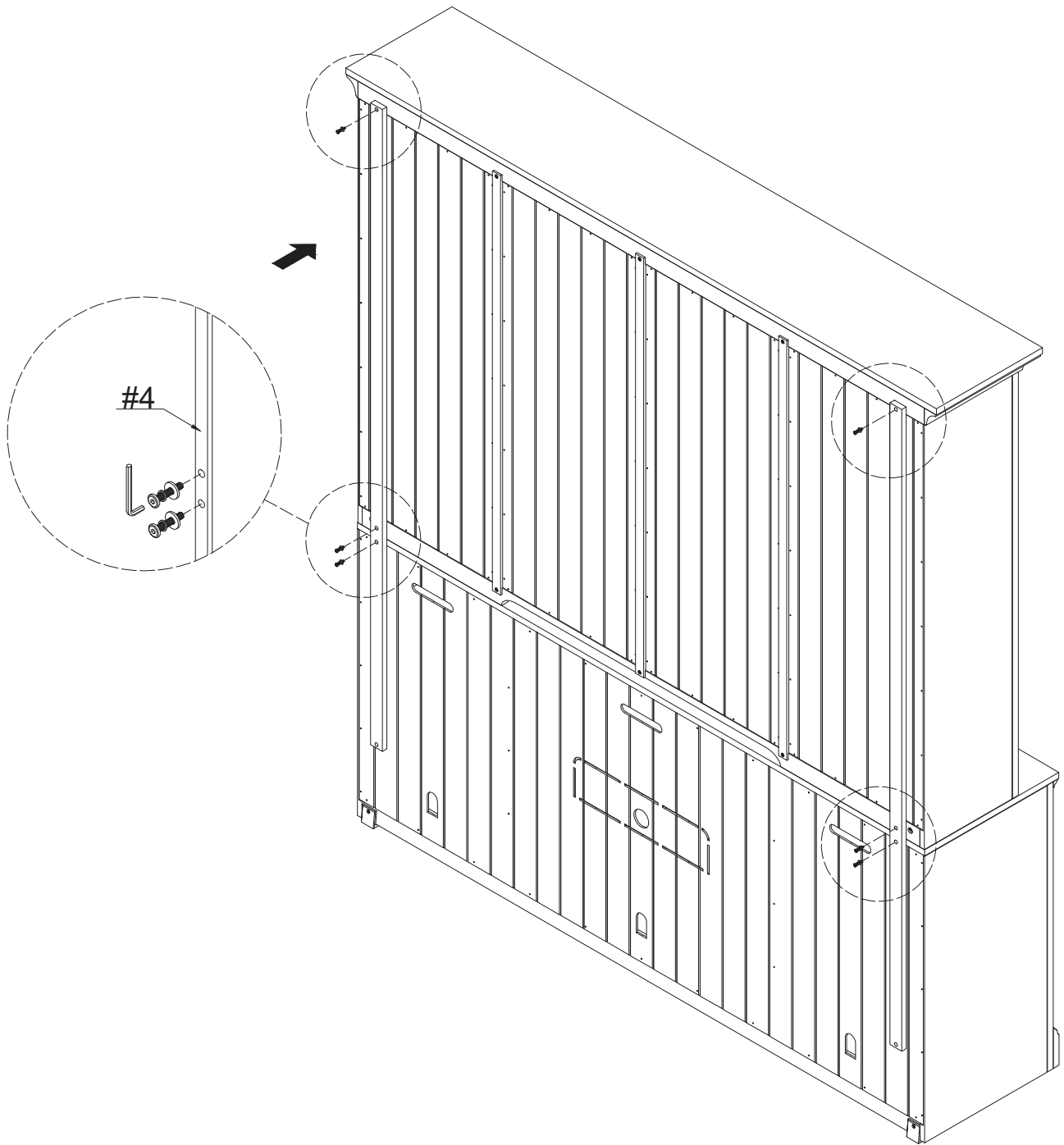
LIVING SPACES

# CROMWELL

ASSEMBLY INSTRUCTIONS

SKU: 305260

305261





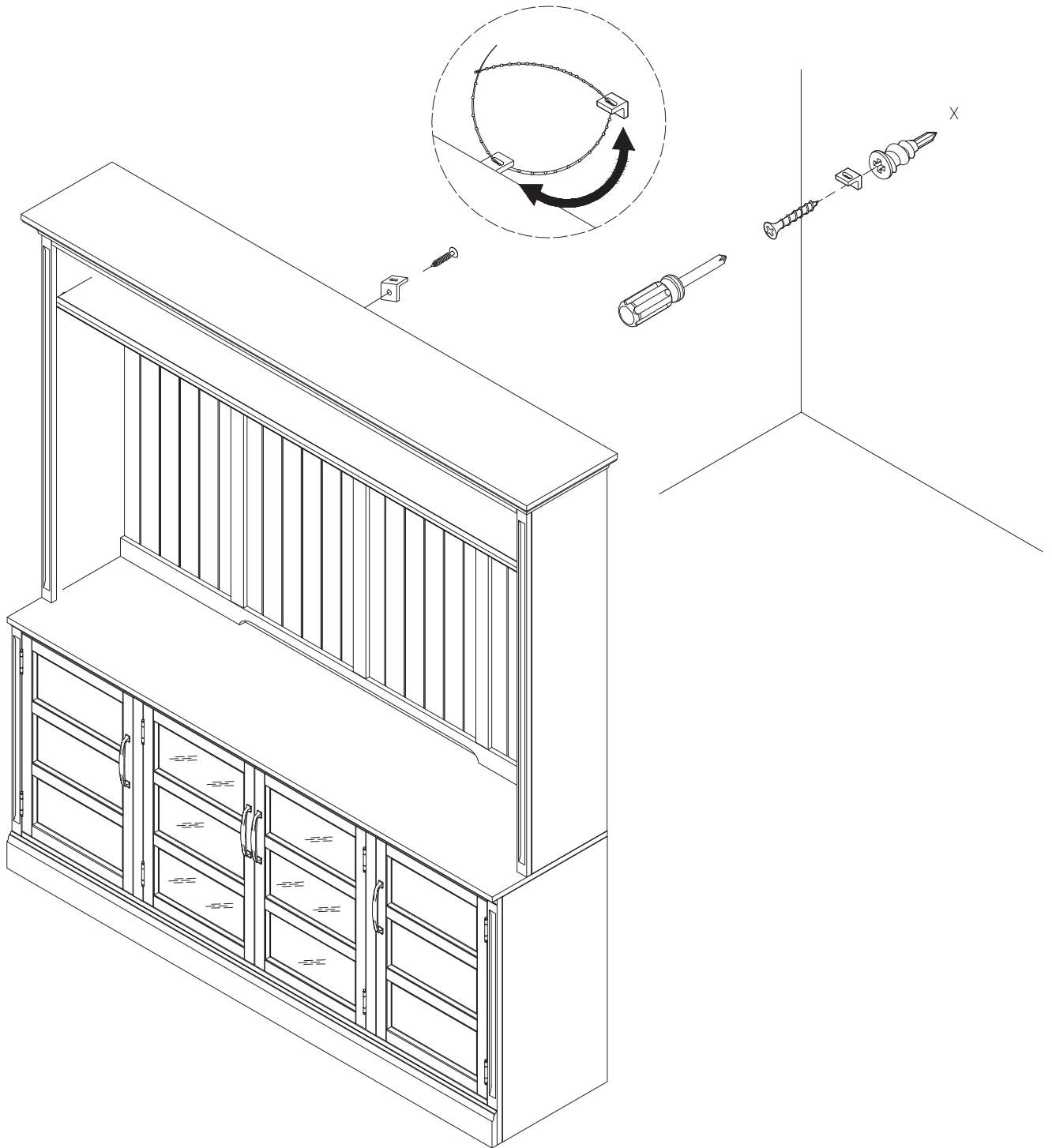
LIVING SPACES

# CROMWELL

ASSEMBLY INSTRUCTIONS

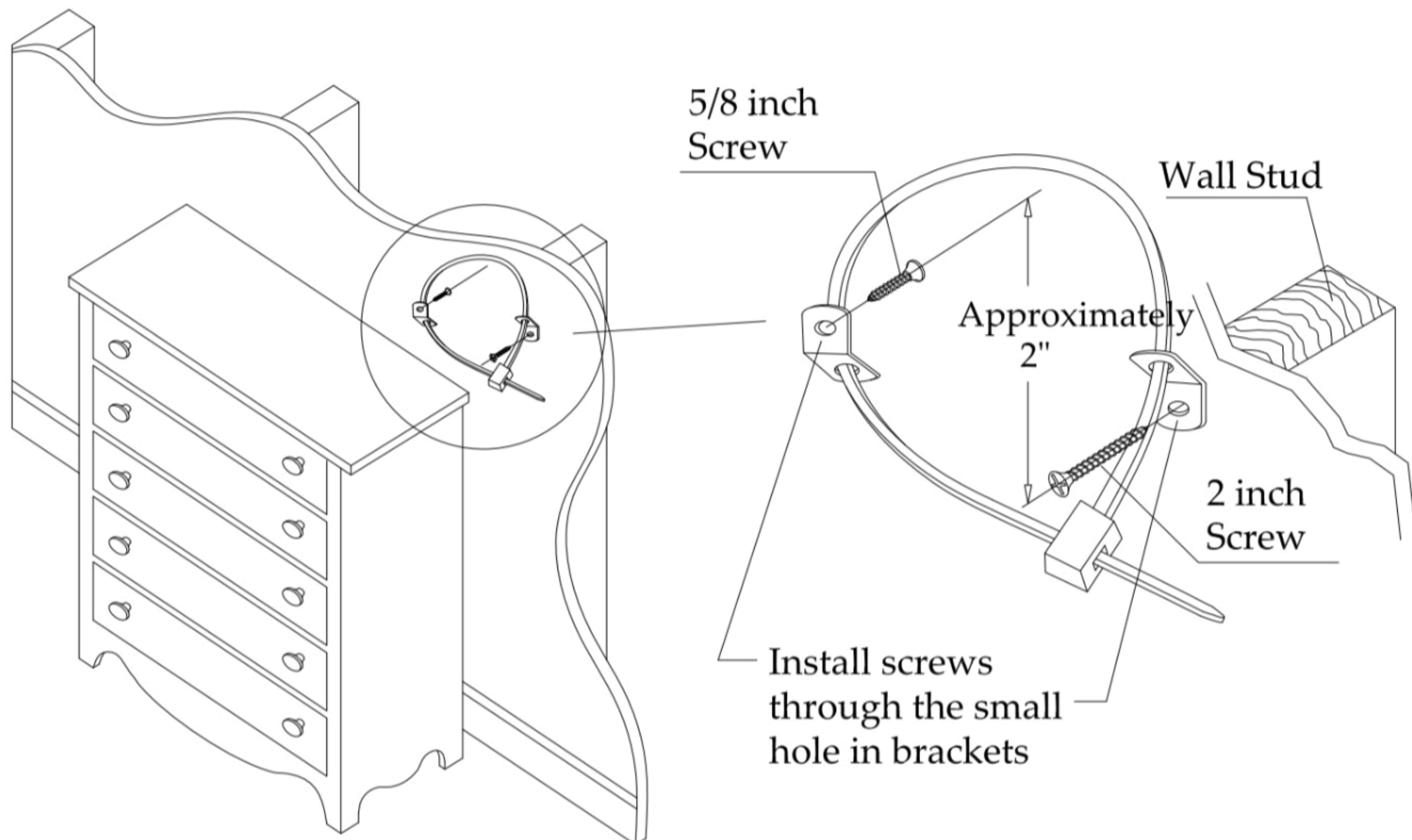
SKU: 305260

305261



# Anti-Tip Hardware Installation Instructions

Notice: In homes where small children may be present, it is recommended that steps be taken for certain furniture items to prevent or minimize the risk of tip-over. This furniture is equipped with Tip-over Restraint Hardware to minimize this risk, if used. Please follow the below installation steps. The U.S. Consumer Product Safety Commission (CPSC) recommends that parents and guardians periodically visit the CPSC website at <http://www.cpsc.gov/> and stay up to date on all issues related to children's product safety.



1. Temporarily locate the furniture to near its final location in the room next to a wall. Locate a wall stud behind your furniture and also mark the stud's location on the back of your furniture.
2. Firmly attach one bracket to the stud approximately 2" below the top of the furniture with the **2 inch long** Wood Screws provided. It may be necessary to drill 3/32 dia. pilot holes for the screws.
3. Firmly attach the other bracket onto a solid, structural part on the back of the furniture using the **5/8 inch long** Wood Screws. It may also be necessary to pilot bore for these screws.
4. Move the furniture into its final position, taking care to line up the wall bracket with the furniture bracket. Thread a strap through the bracket as shown in the illustration. Tighten strap until snug but do not over tighten.

Warning: This tip-over restraint is not to be a substitute for proper adult supervision. Do not allow children to climb on furniture. Items left on top of the TV and furniture, such as toys, remote controls and treats might tempt young children to climb. Push the TV as far back as possible from the front of its stand. Place electrical cords out of a child's reach, and teach children not to play with the cords.