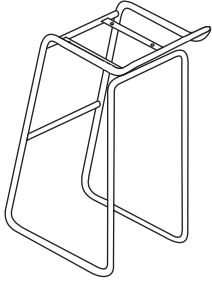
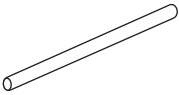
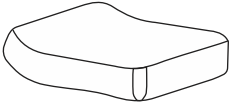
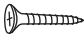




ITEM NAME /NOM D' ITEM:WEDGE BARSTOOL

ITEM # /NO. ITEM:300041 (BLACK/NOIR)

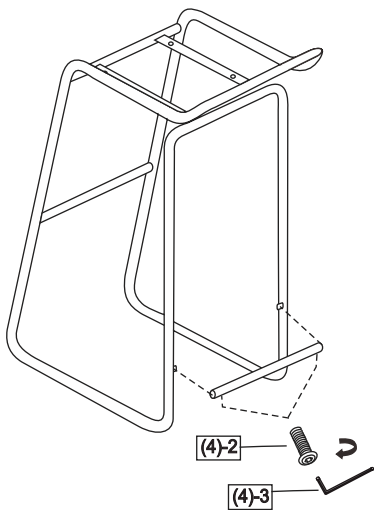
Enquiry:parts@zuomod.com

PART LIST/Liste des pièces

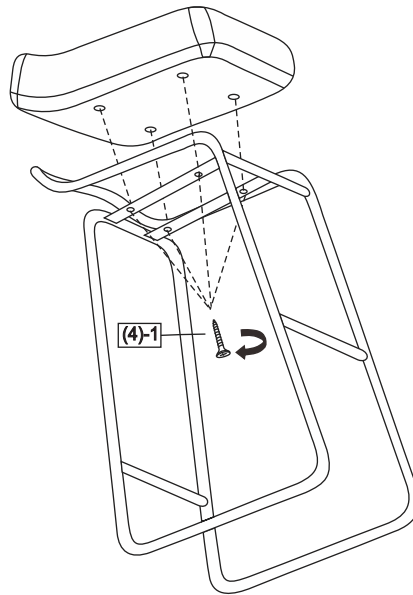
(1)	(2)	(3)	(4)
 X1	 X1	 X1	<p>1.  X4 6X20MM</p> <p>2.  X2 6X10MM</p> <p>3.  X1</p>

INSTRUCTION

A



B



C

