

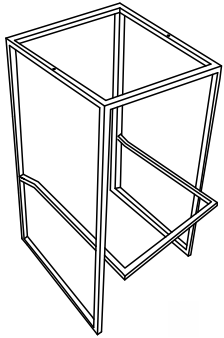
ITEM NAME /NOM D' ITEM:LIDS COUNTER STOOL

ITEM # /NO. ITEM:300037 (DARK GRAY)

Enquiry:parts@zuomod.com

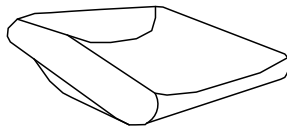
PART LIST/Liste des pièces

(1)



X1

(2)



X1

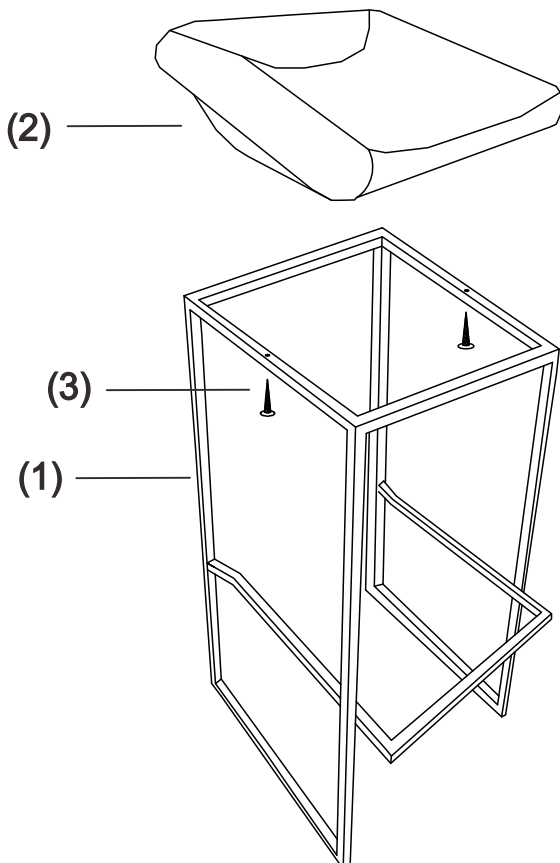
(3)



X2

INSTRUCTION

A



B

