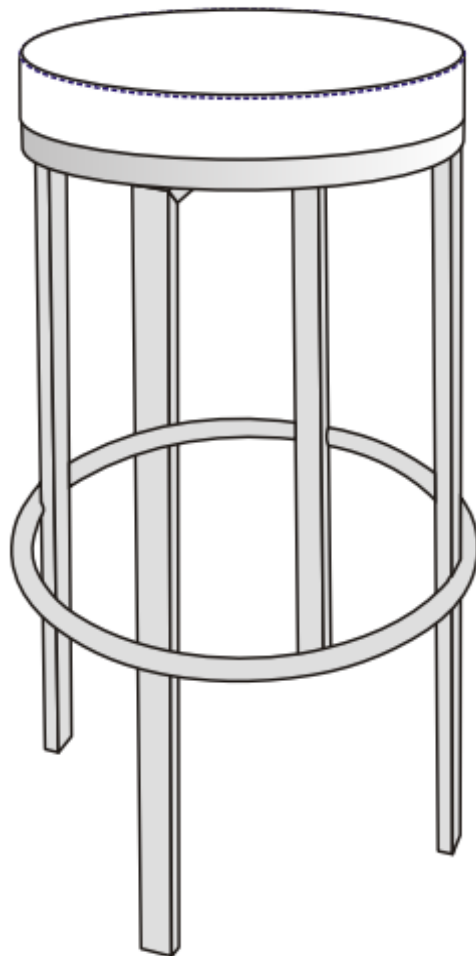


Pratt Counterstool

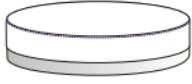
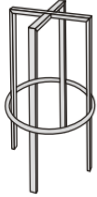

TOV-K3675/TOV-K3676/TOV-K3677

Pratt

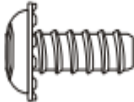

ASSEMBLY INSTRUCTIONS



Parts List

| Label | Picture | Description | QTY |
|-------|---|-------------|-----|
| A |  | Seat Pad | 1 |
| B |  | Frame | 1 |
| C |  | Swivel | 1 |

Hardware

| Label | Picture | Description | QTY |
|-------|---|---------------|-----|
| C |  | Screw 6x16 MM | 8 |
| D |  | Spanner (M5) | 1 |

BEFORE BEGINNING ASSEMBLY:



Read instructions cover to cover



Have two adults on hand for assembly



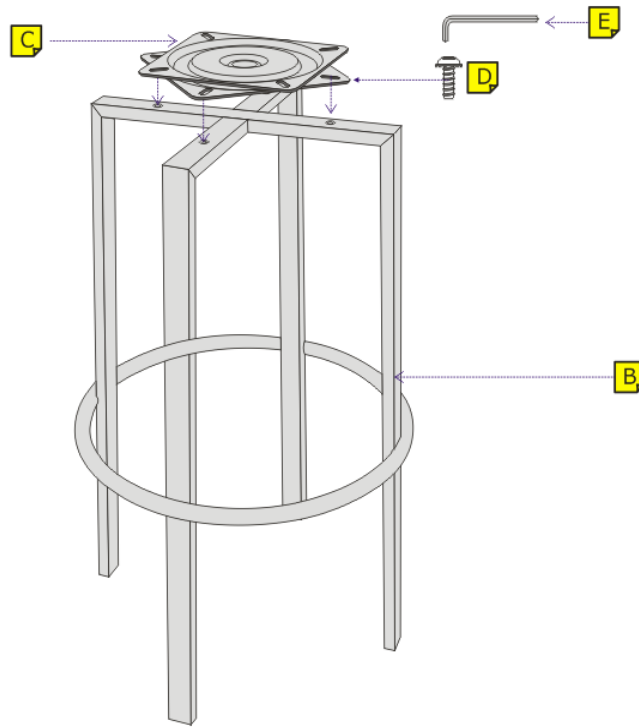
Do NOT assemble on flooring or carpet. Assemble on a clean non-marring surface (ex: packing foam)



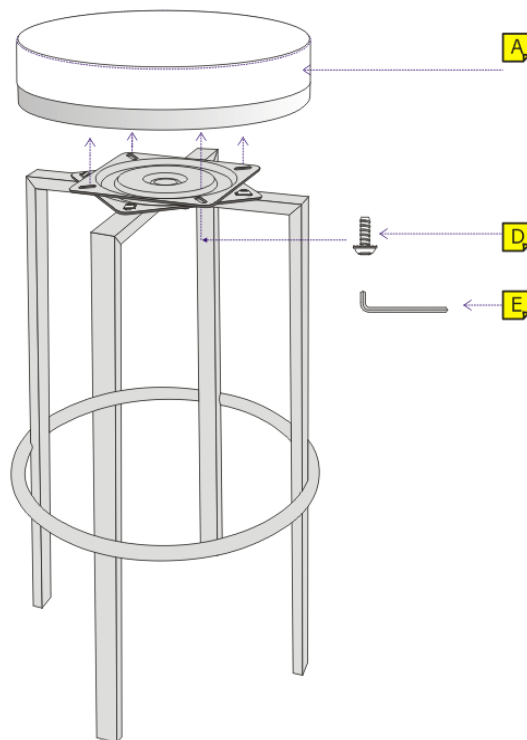
Save all packaging until assembly is completed

Assembly Steps

Step 1



Step 2



As the picture shows. Tighten the screws.

"Need a part? Call TOV at 516-888-3355 or email service@tovfurniture.com"

CARE & MAINTENANCE



Do not put hot items directly on furniture surface.



Do not clean furniture with harsh cleansers or polish.



Dust and pick up spills using a clean, non-colored, lint-free cloth.



Stains may be removed with mild soap solution and a damp cloth.



Do not place furniture under direct sunlight.



Do not place furniture near heating or cooling vents.



Do not write on furniture without a padded barrier to protect the surface.



Do not place furniture outside, for indoor use only.