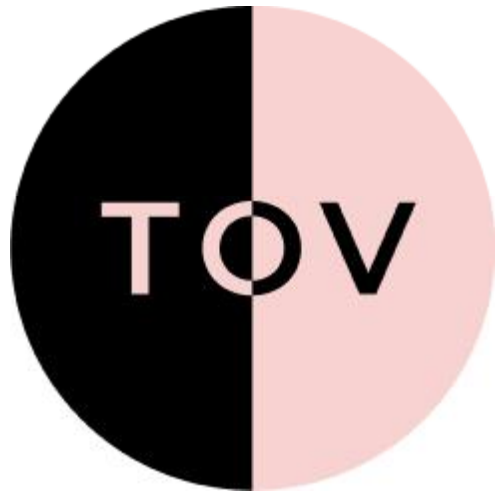
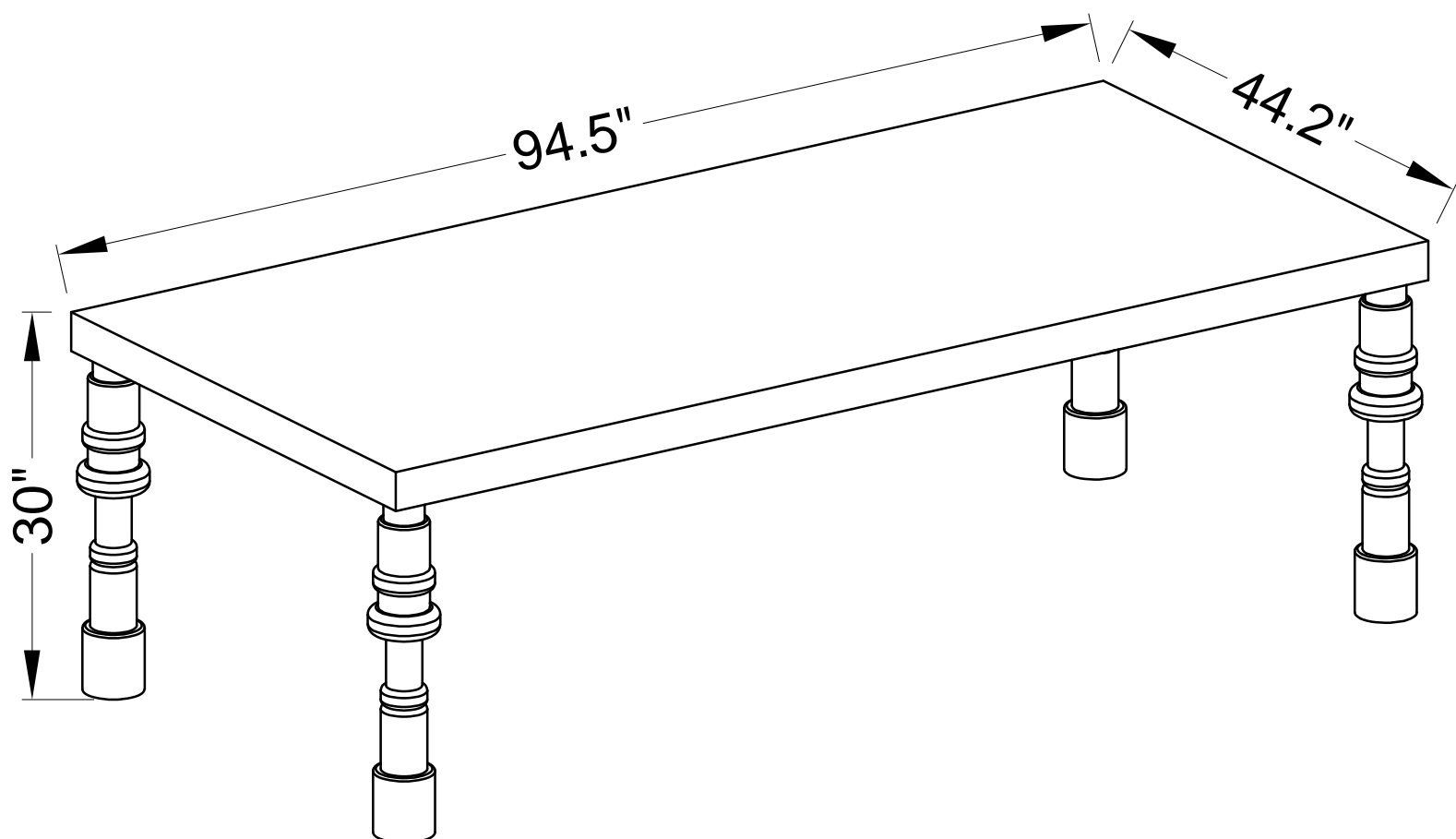


SPINDLE DINING TABLE

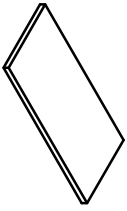
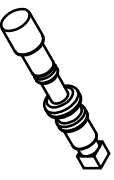


SPINDLE




ASSEMBLY INSTRUCTION



PARTS LIST

LABEL	PICTURE	DESCRIPTION	QTY.
A		TOP	1
B		LEGS	4

HARDWARE

LABEL	PICTURE	DESCRIPTION	QTY.
C		SCREW M10X60	8
D		WASHER Ø23xØ10x2mm	8
E		SPANNER K17	1

BEFORE BEGINNING ASSEMBLY:

 Read instructions cover to cover.

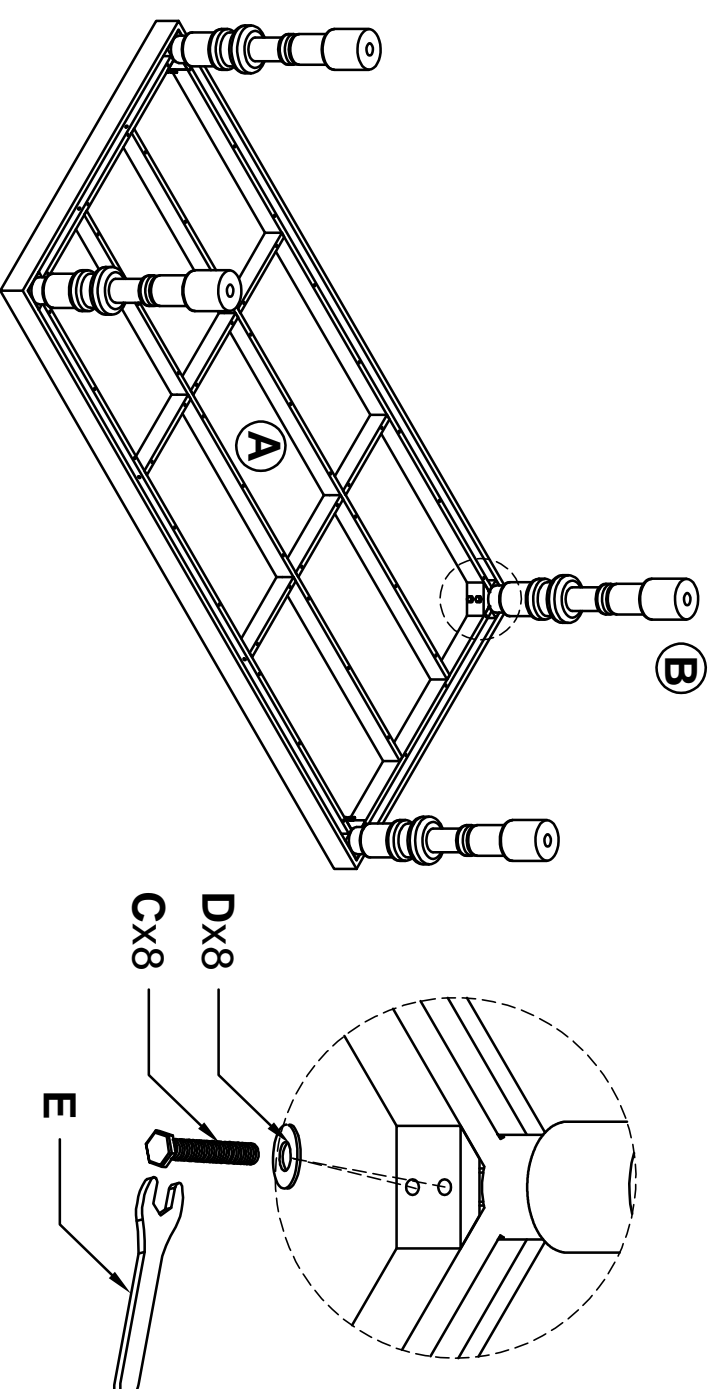
 Have two adults on hand for assembly.

 Do NOT assemble on flooring or carpet. Assemble on a clean non-marring surface (ex: packing foam).

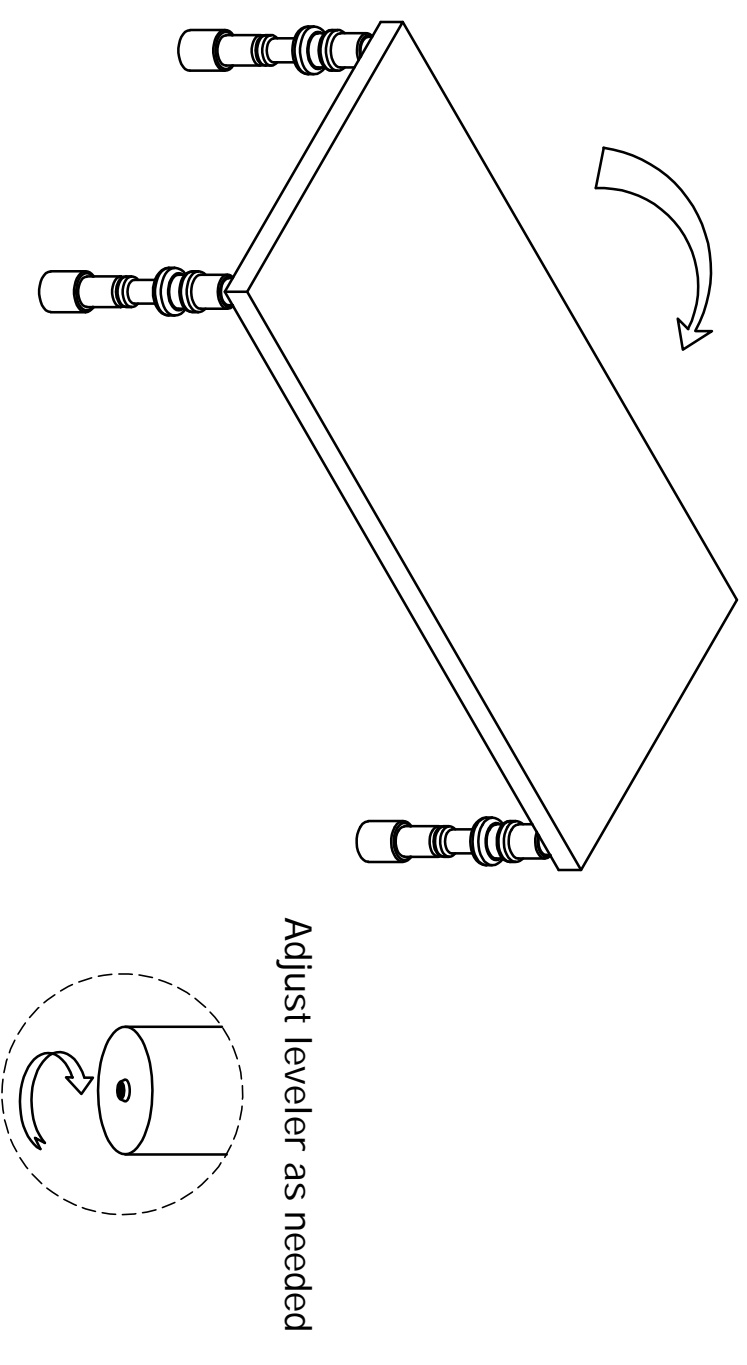
 Save all packaging until assembly is completed.

ASSEMBLY STEPS

STEP 1



STEP 2



CARE & MAINTENANCE



Do not put hot items directly on furniture surface.



Do not clean furniture with harsh cleansers or polish



Dust and wipe up spills using a clean, non-colored, lint-free cloth.



Stains may be removed with a mild soap solution and a damp cloth.



Do not place furniture under direct sunlight.



Do not place furniture near heating or cooling vents.



Do not write on furniture without a padded barrier to protect the surface.



Do not place furniture outside, for indoor use only.

**"Need a part? Call TOV at 516-888-3355 or
email service@tovfurniture.com"**