

WD LEANING SHELF 69"H, 21"W

Assembly Instructions

Left Upright



1 PC

Right Upright



1 PC

Shelf



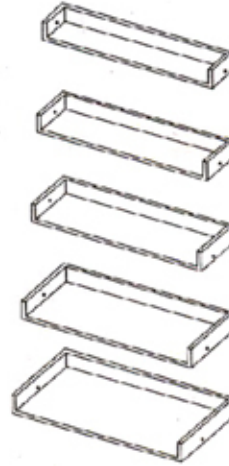
5 PCS Screw



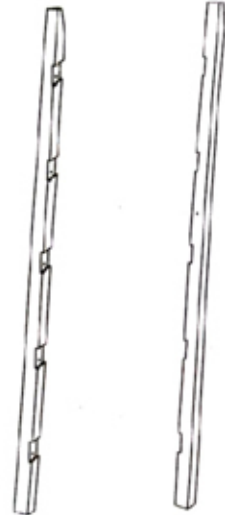
10PCS

Important Note:
Unpack and lay parts on clean, padded surface like carpet or blanket. Check that you have all parts indicated on the front page.

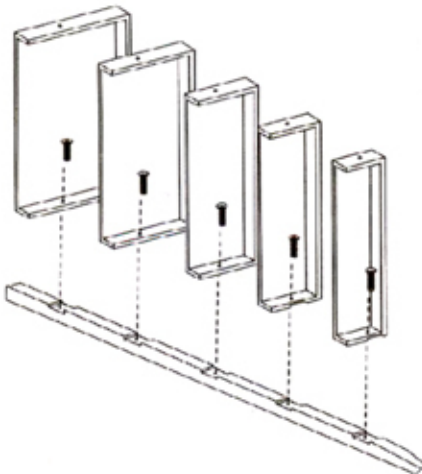
1



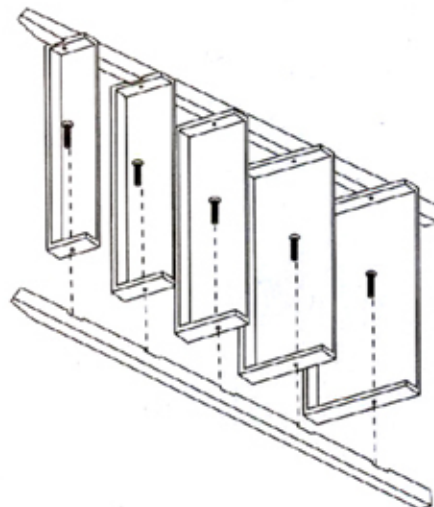
2



3



4



5

