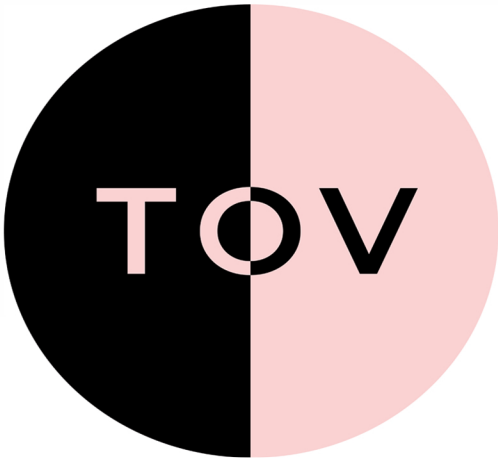
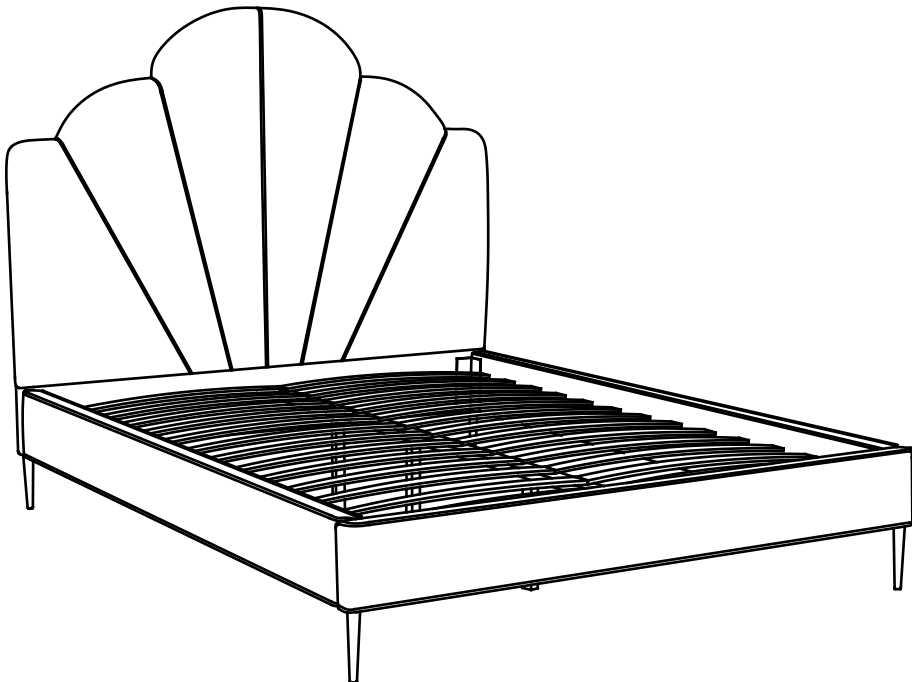


Bianca Bed

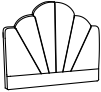


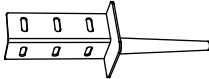





Bianca


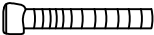

Assembly Instructions



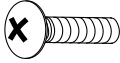
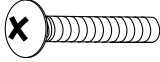

PARTS LIST

LABEL	PICTURE	DESCRIPTION	QTY
A		Head board	1
B		Side board	2
C		Foot board	1
D		Leg	4
E		Center Support Bar	1
F		Mid Leg	3
G		Bed Slat	2

HARDWARE

LABEL	PICTURE	DESCRIPTION	QTY
a		Metal Gasket	24
b		Screw M6x30	24
c		Wrench	1

HARDWARE

LABEL	PICTURE	DESCRIPTION	QTY
1		Screw M6x30	8
2		Screw M6x50	3
3		Screwdriver	1

BEFORE BEGINNING ASSEMBLY:



Read instructions cover to cover



Have two adults on hand for assembly



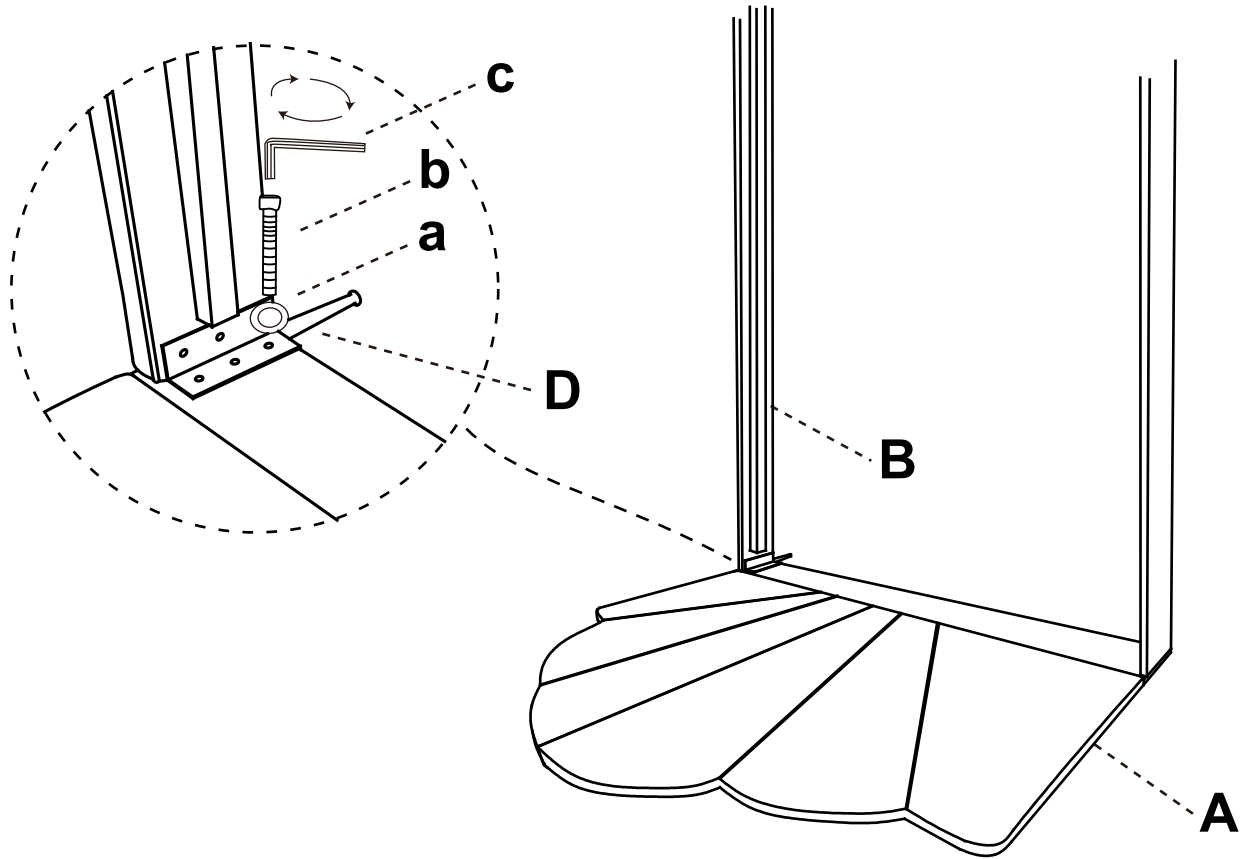
Do NOT assemble on flooring or carpet. Assemble on a clean non-marring surface (ex: packing foam)



Save all packaging until assembly is completed

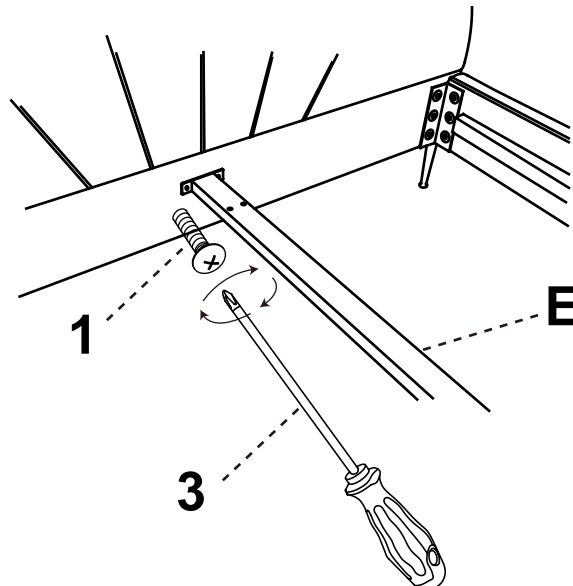
ASSEMBLY STEPS

STEP 1



> Using the included hardware, attach the legs to the headboard and rails as shown.

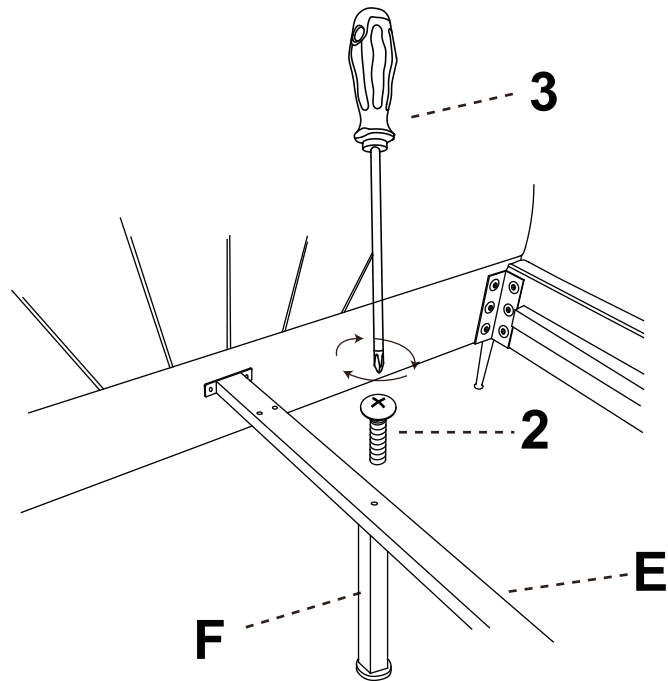
STEP 2



> Attach the center support bar as shown.

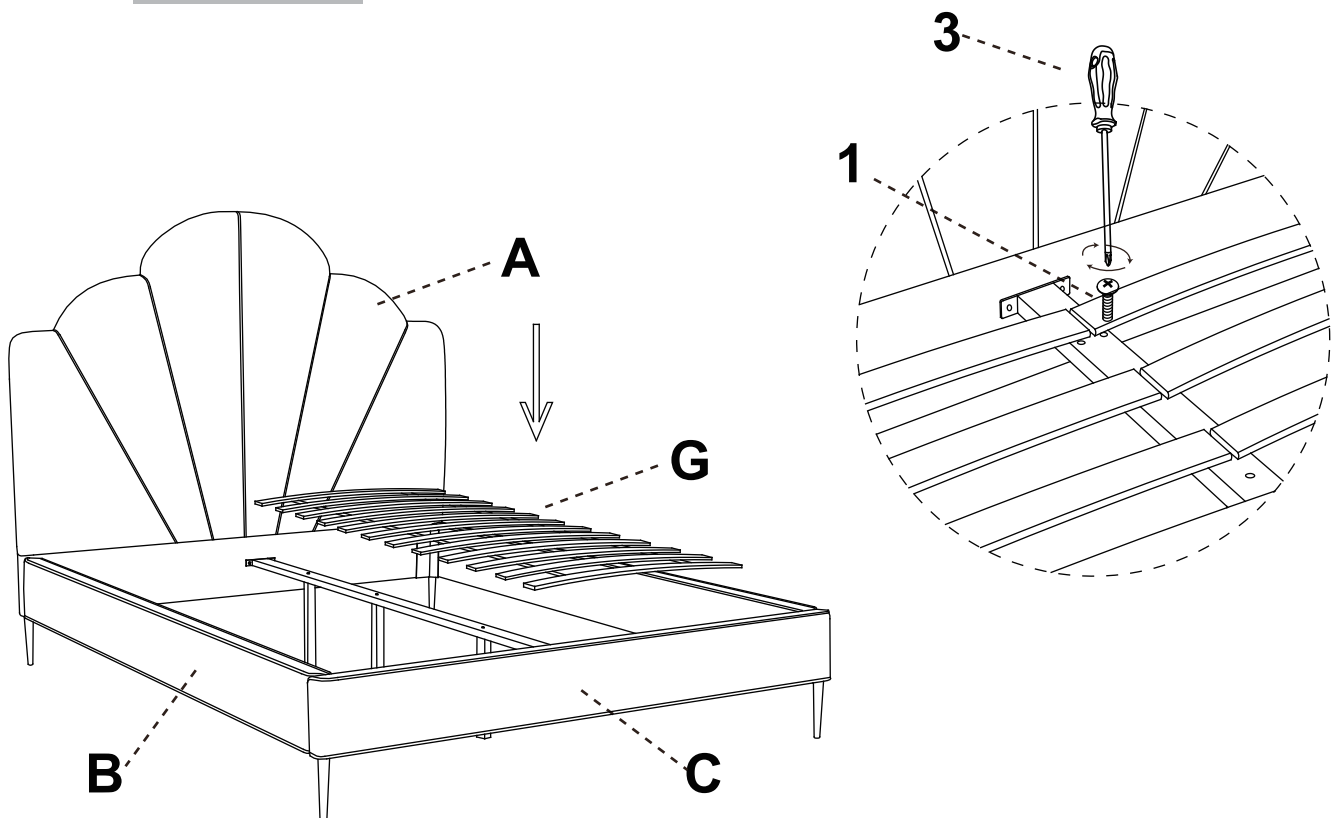
ASSEMBLY STEPS

STEP 3



> Attach the middle legs as shown.

STEP 4



CARE & MAINTENANCE



Do not put hot items directly on furniture surface.



Do not clean furniture with harsh cleansers or polish.



Dust and wipe up spills using a clean, non-colored, lint-free cloth.



Stains may be removed with mild soap solution and a damp cloth



Do not place furniture under direct sunlight.



Do not place furniture near heating or cooling vents.



Do not write on furniture without a padded barrier to protect the surface.



Do not place furniture outside, for indoor use only.