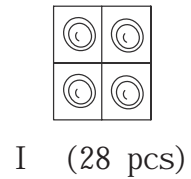
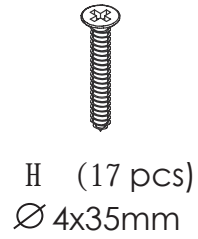
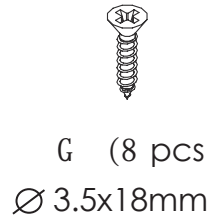
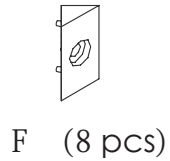
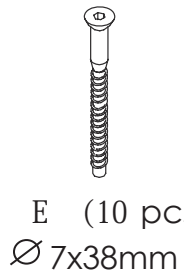
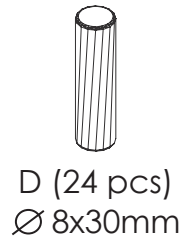
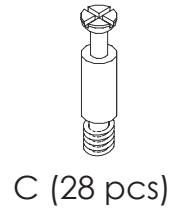
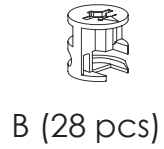
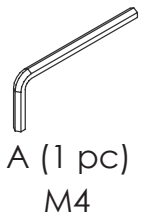
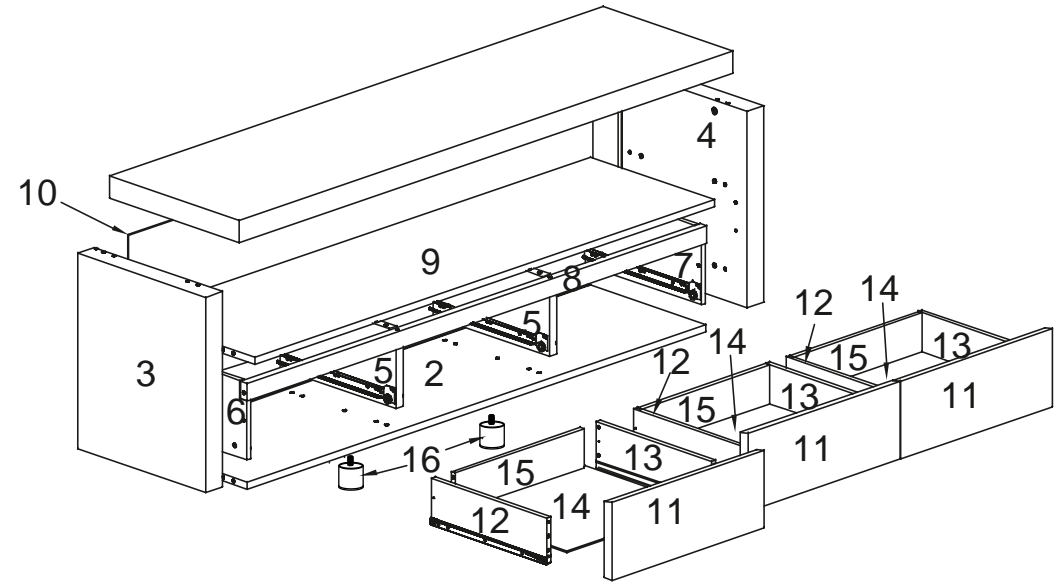


Assembly Instructions

BRYANT Media Stand

PLEASE NOTE: Check that you have received all components and hardware before assembling. If you are missing any parts, contact your retailer.

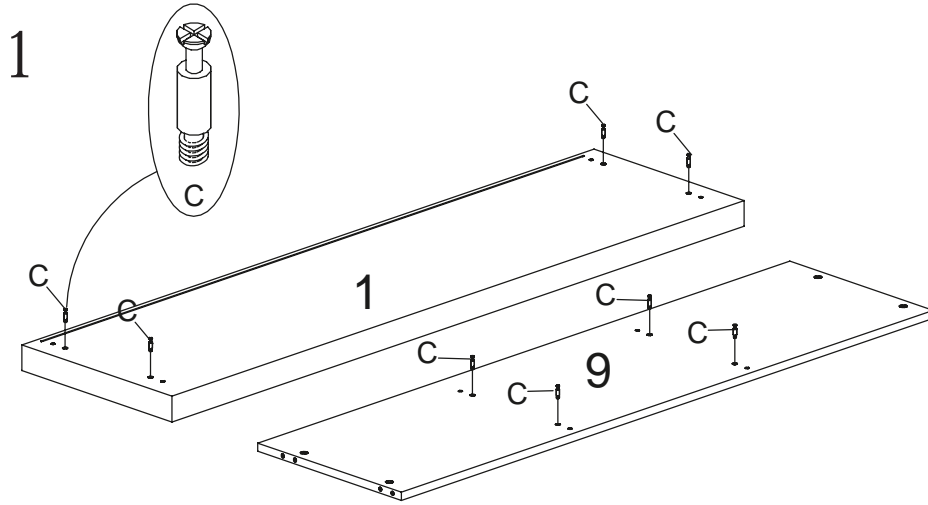


During assembly, hand tighten screws only. When the screws are in place, tighten completely.

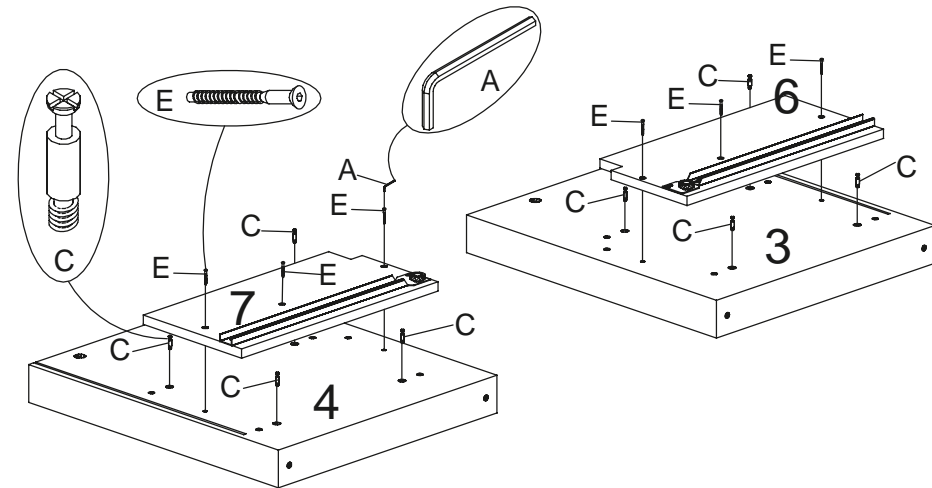
Assembly Instructions

BRYANT Media Stand

PLEASE NOTE: Check that you have received all components and hardware before assembling. If you are missing any parts, contact your retailer.



2

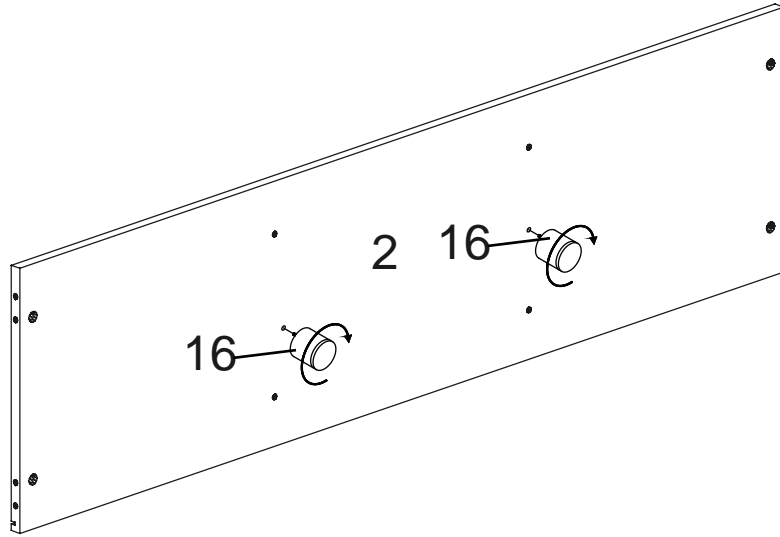


During assembly, hand tighten screws only. When the screws are in place, tighten completely.

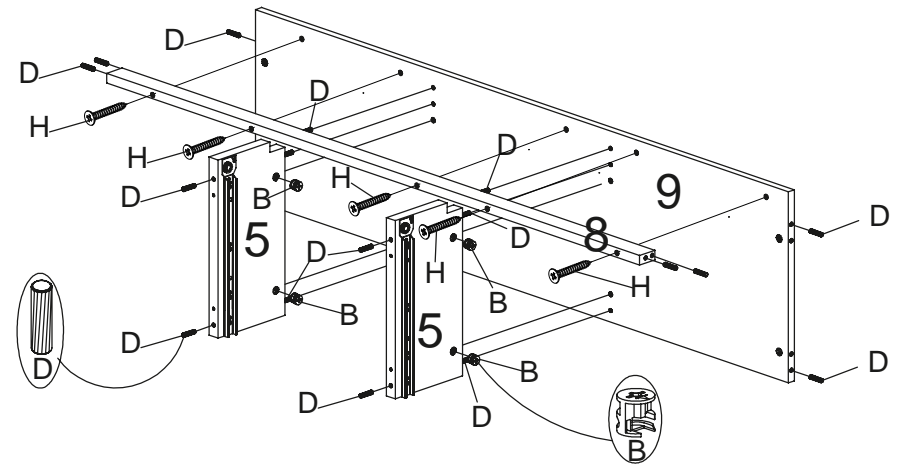
Assembly Instructions BRYANT Media Stand

PLEASE NOTE: Check that you have received all components and hardware before assembling. If you are missing any parts, contact your retailer.

3



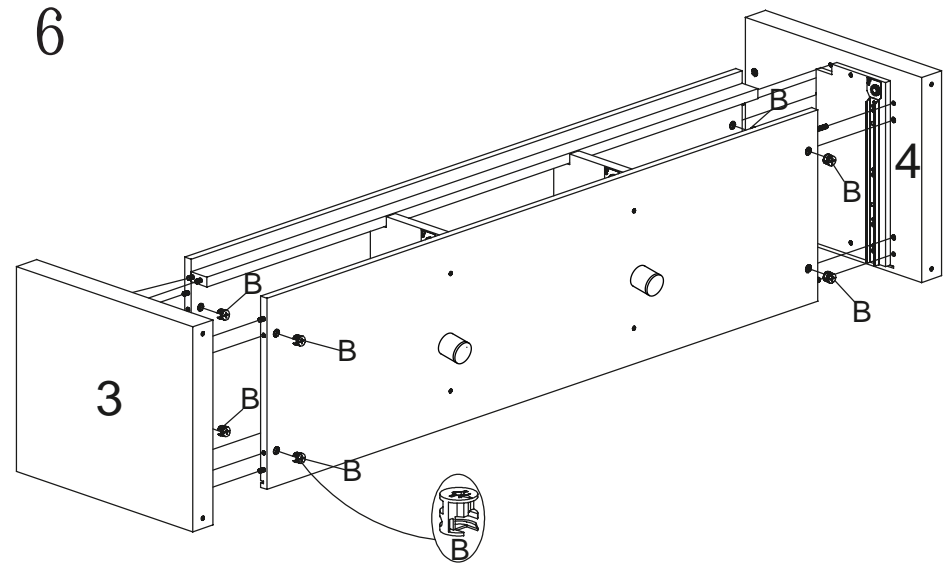
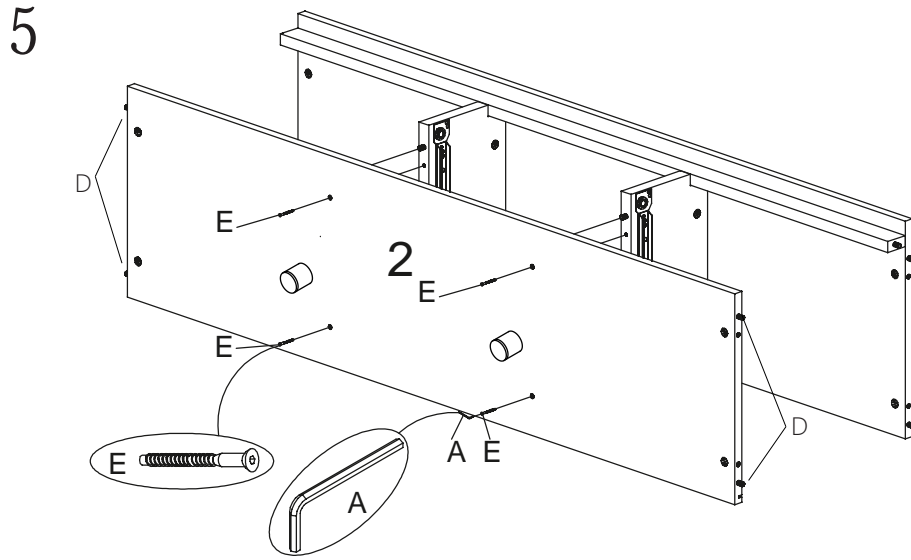
4



During assembly, hand tighten screws only. When the screws are in place, tighten completely.

Assembly Instructions BRYANT Media Stand

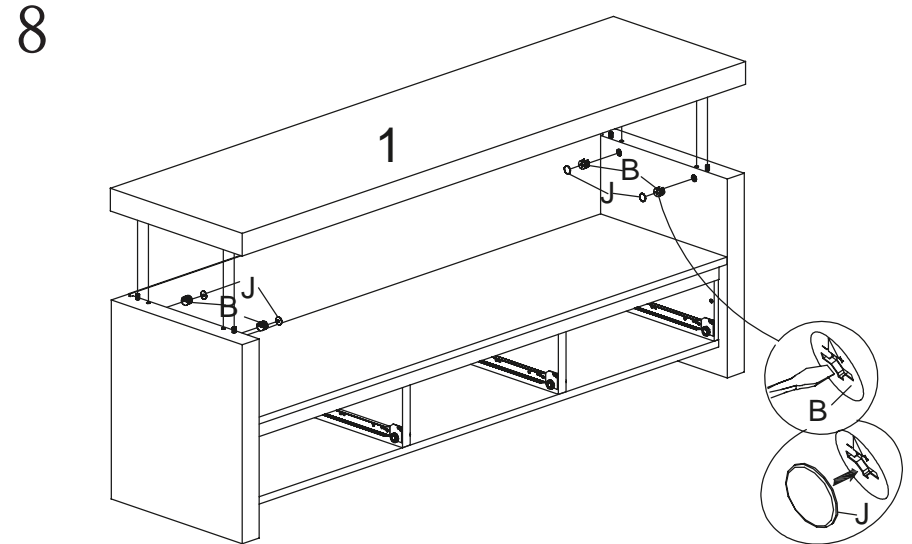
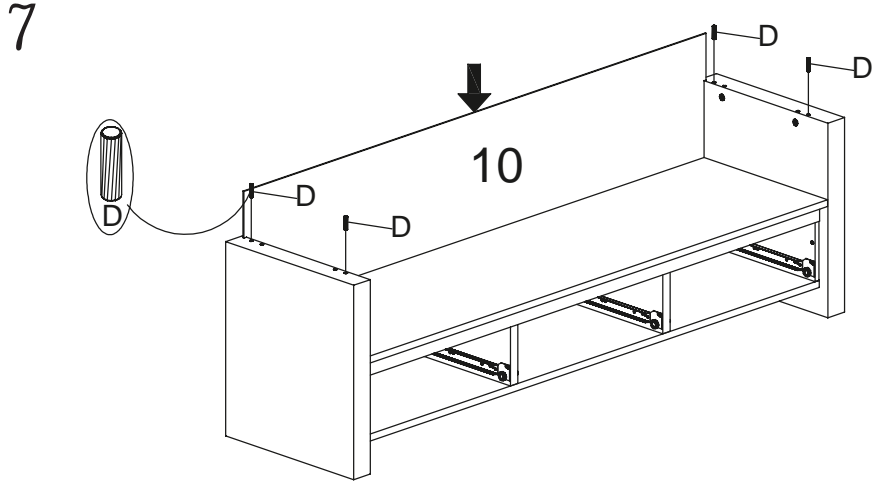
PLEASE NOTE: Check that you have received all components and hardware before assembling. If you are missing any parts, contact your retailer.



During assembly, hand tighten screws only. When the screws are in place, tighten completely.

Assembly Instructions BRYANT Media Stand

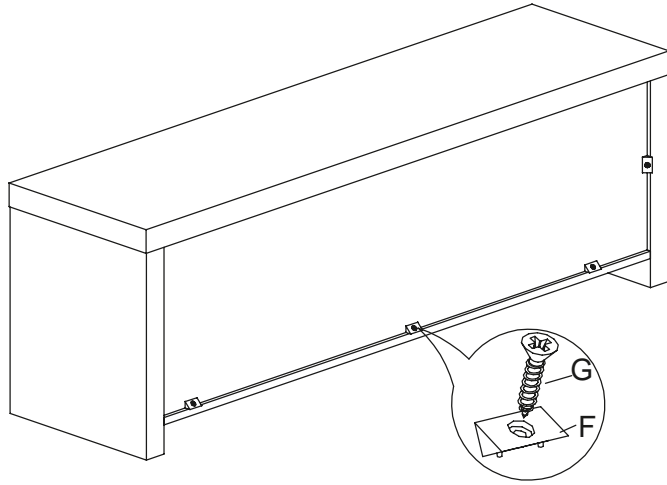
PLEASE NOTE: Check that you have received all components and hardware before assembling. If you are missing any parts, contact your retailer.



During assembly, hand tighten screws only. When the screws are in place, tighten completely.

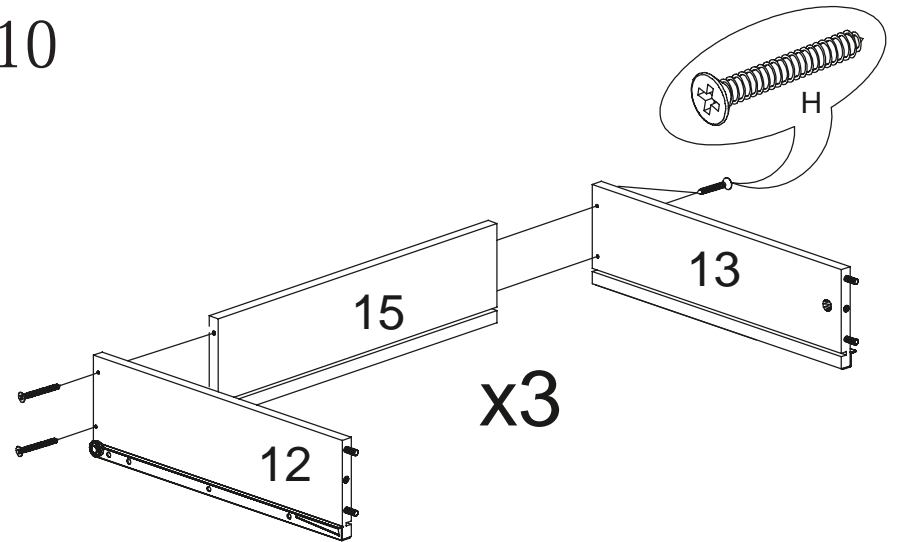
Assembly Instructions BRYANT Media Stand

9



PLEASE NOTE: Check that you have received all components and hardware before assembling. If you are missing any parts, contact your retailer.

10

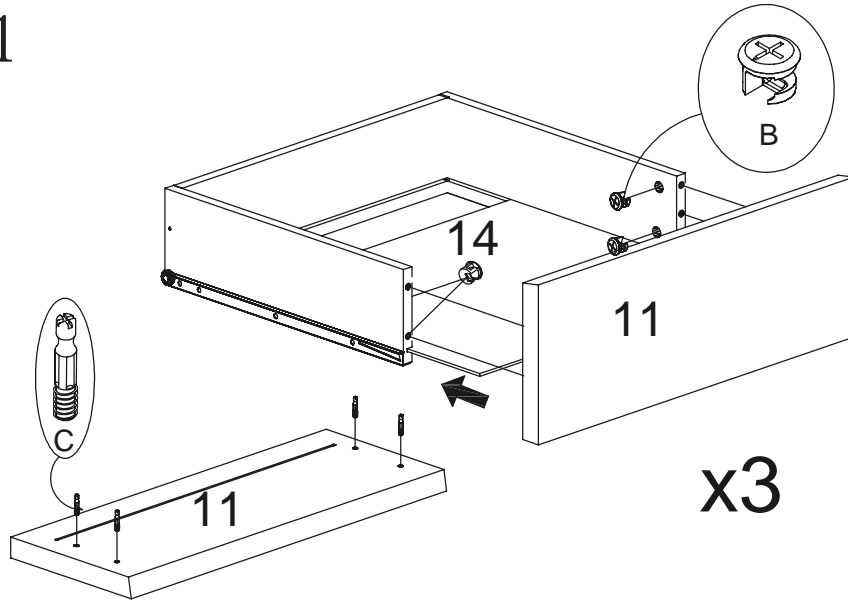


During assembly, hand tighten screws only. When the screws are in place, tighten completely.

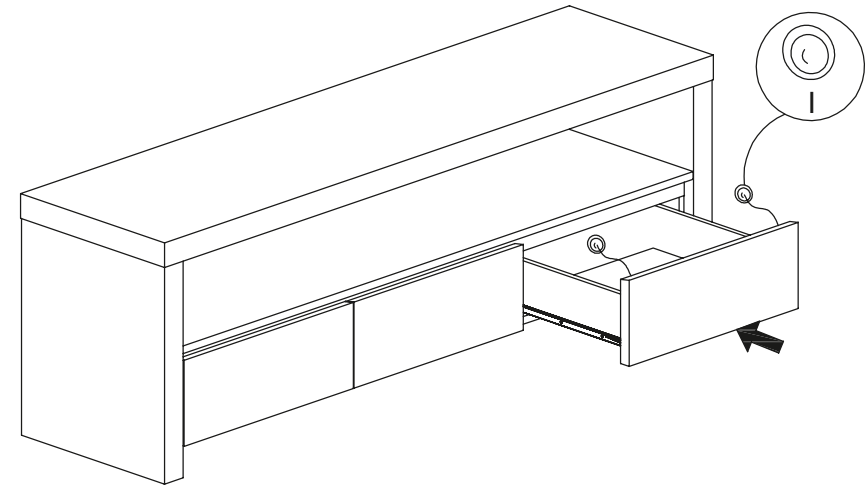
Assembly Instructions BRYANT Media Stand

PLEASE NOTE: Check that you have received all components and hardware before assembling. If you are missing any parts, contact your retailer.

11



12



During assembly, hand tighten screws only. When the screws are in place, tighten completely.