



# ASSEMBLY INSTRUCTIONS COASTER FINE FURNITURE



Fine Furniture for every stage of life

800725  
BARSTOOL

REVISION: 06/16/2020

PAGE 1 OF 4

COASTERFURNITURE.COM

# ITEM :800725

## ASSEMBLY INSTRUCTIONS



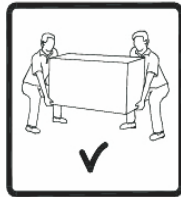
### ASSEMBLY TIPS:

1. Remove hardware from box and sort by size.
2. Please check to see that all hardware and parts are present prior to start of assembly.
3. Please follow attached instructions in the same sequence as numbered to assure fast & easy assembly.



#### Warning!



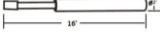


1. Don't attempt to repair or modify parts that are broken or defective. Please contact the store immediately.
2. This product is for home use only and not intended for commercial establishments.





ASSEMBLY TIME

5 MINUTES

### PARTS IDENTIFICATION

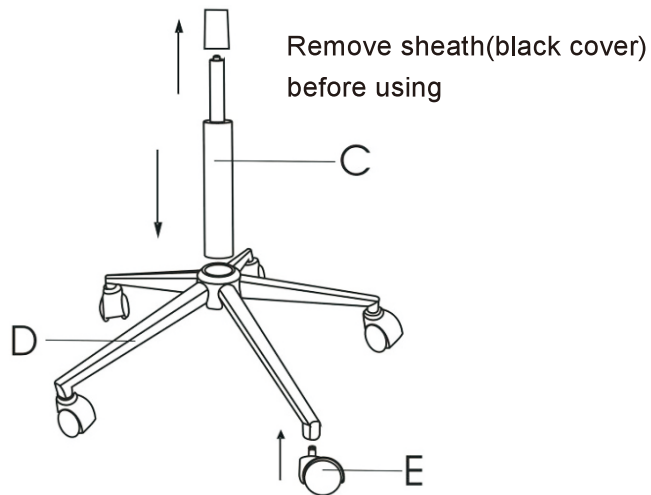
	PART NAME	FIGURE	QTY
A	SEAT AND BACK		1PC
B	ADJUSTING PLATE		1PC
C	GAS CYLINDER		1PC
D	BASE		1PC
E	CASTER		5PCS

### HARDWARE IDENTIFICATION

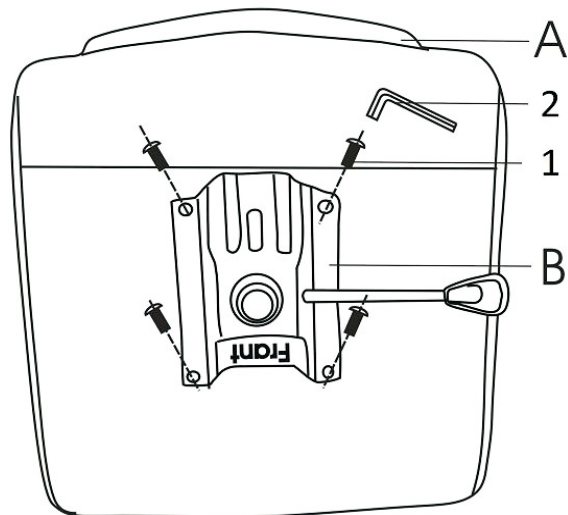
	HARDWARE NAME	FIGURE	QTY
1	BOLTS 3/16X16MM		4PCS
2	ALLEN WRENCH M6		1PC

# ITEM :800725 ASSEMBLY INSTRUCTIONS

## STEP 1

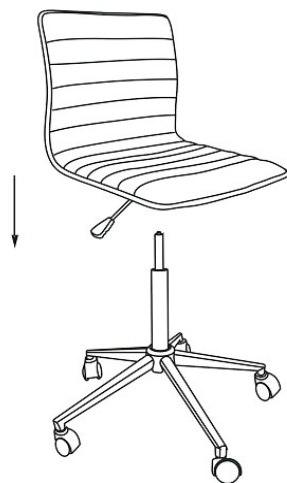


## STEP 2



## STEP 3

Firmly push top into gas spring



## STEP 4



**ITEM :800725**  
**ASSEMBLY INSTRUCTIONS**



**Note:Dimension tolerance±5%**