



# ASSEMBLY INSTRUCTIONS COASTER FINE FURNITURE



Fine Furniture for every stage of life

800612  
BARSTOOL

REVISION:06/16/2020

PAGE 1 OF 4

**ITEM :800612**  
**ASSEMBLY INSTRUCTIONS**



**ASSEMBLY TIPS:**

1. Remove hardware from box and sort by size.
2. Please check to see that all hardware and parts are present prior to start of assembly.
3. Please follow attached instructions in the same sequence as numbered to assure fast & easy assembly.



**Warning!**

1. Don't attempt to repair or modify parts that are broken or defective. Please contact the store immediately.
2. This product is for home use only and not intended for commercial establishments.



ASSEMBLY TIME

5 MINUTES

**PARTS IDENTIFICATION**

	PART NAME	FIGURE	QTY		PART NAME	FIGURE	QTY
A	CHAIR BACK		1PC	F	BASE		1PC
B	CHAIR SEAT		1PC	G	CASTER		1PC
C	BACK SUPPORT		1PC				
D	GAS CYLINDER		1PC				
E	ADJUSTING PLATE		1PC				

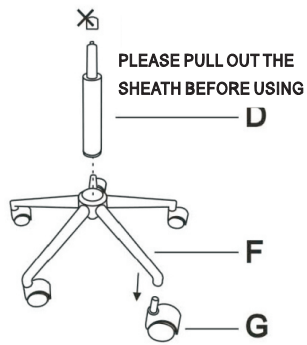
**HARDWARE IDENTIFICATION**

	HARDWARE NAME	FIGURE	QTY		HARDWARE NAME	FIGURE	QTY
1	BOLTS M6x20MM		3PC	6	GASKET M6x18x1.5MM		4PC
2	BOLTS M6x20MM		3PC	7	SPRING GASKET M6		4PC
3	BOLTS M6x18 MM		4PC	8	ALLEN WRENCH M5		1PC
4	GASKET M6x18x1.5MM		3PC	9	ALLEN WRENCH M6		1PC
5	SPRING GASKET M6		3PC				

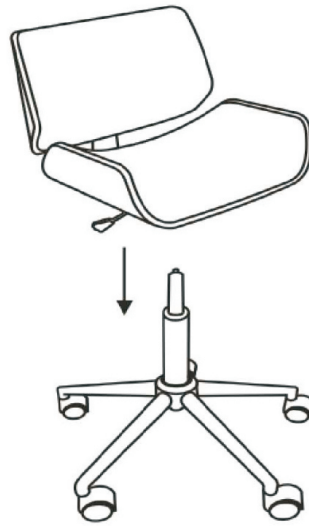
**ITEM :800612**  
**ASSEMBLY INSTRUCTIONS**



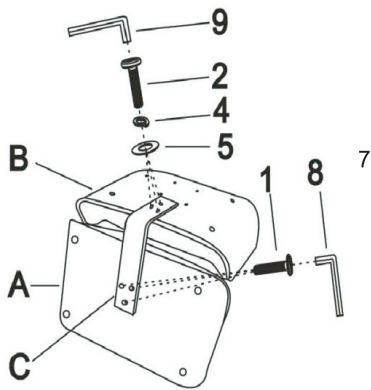
**STEP1**



**STEP4**



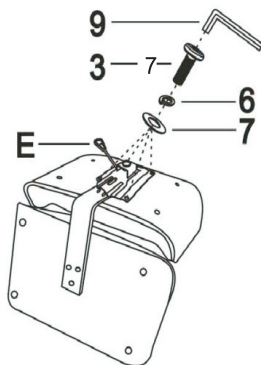
**STEP2**



**STEP5**



**STEP 3**



ITEM :800612  
ASSEMBLY INSTRUCTIONS



**Note:Dimension tolerance $\pm$ 5%**