



ASSEMBLY INSTRUCTIONS

Jayco Accent Chair





Important safety instructions:

- Please **read** carefully all instructions before assembling the table.
- For your safety and ease, assembly by two or more adults is recommended.
- Keep instructions for future use.







Pre-assembly:

- Do not discard any content until assembly completed to avoid accidentally discarding small parts or hardware.
- Take out all parts and hardwares from box.

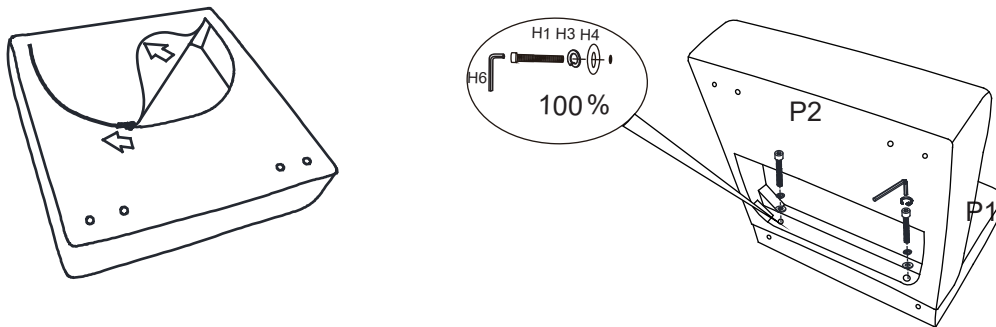
Parts List

Item	Description	QTY
P1	 CHAIR BACKREST	1PC
P2	 CHAIR SEAT	1PC
P3	 LEFT	1PC
P4	 RIGHT	1PC

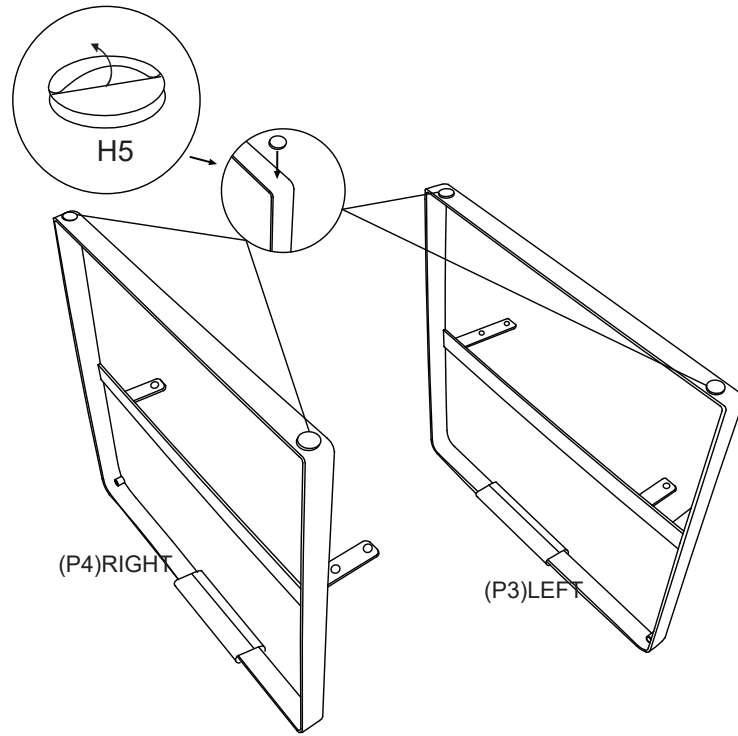
Hardware List

Item	Description	QTY
H1	M8*55MM 	2PCS
H2	M8*30MM 	8PCS
H3	(Ø8+Ø13)*1.5MM 	8PCS
H4	(Ø8+Ø21*2MM 	8PCS
H5	Ø25*5MM 	4PCS
H6	M8 	1PC

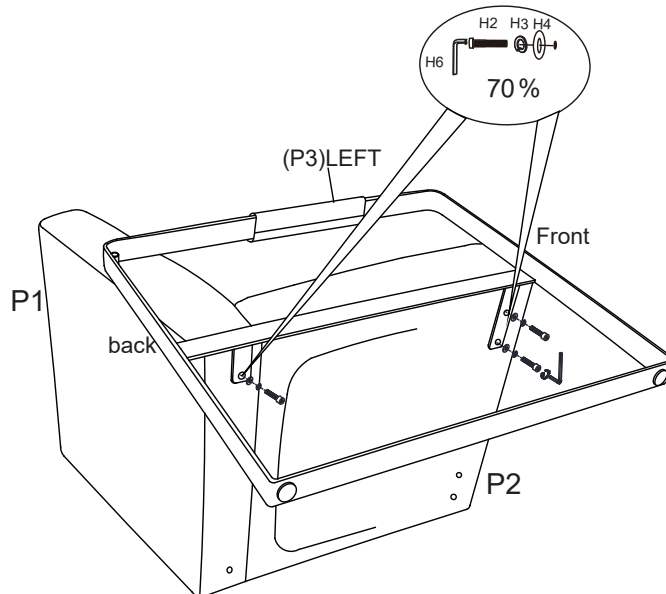
Step 1. Assemble the chair on a flat, soft surface such as a carpet or cloth to prevent scratching. Turn the chair seat(P2) upside down, open the zipper, confirm direction, put chair seat(P2) on the chair backrest(P1), fully tighten bolts(H1) and washers(H3 and H4) with allen wrench(H6) as illustration below.



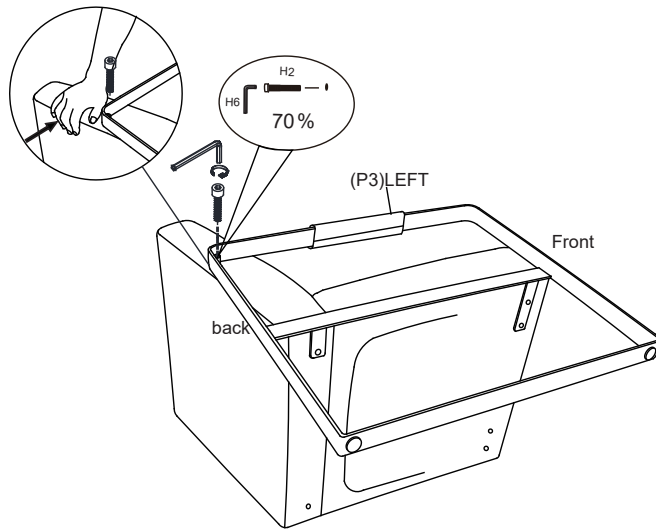
Step2. Tear off the cover on the gasket, paste the gasket on both ends of the foots as illustration below.



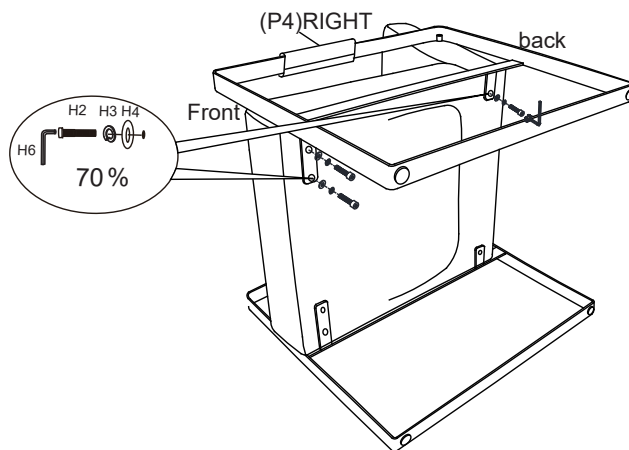
Step3. Place the side of the chair on a level surface, put on the leg, 70% tighten bolts (H2) and washers (H3 and H4) with allen wrench (H6) as illustration below.



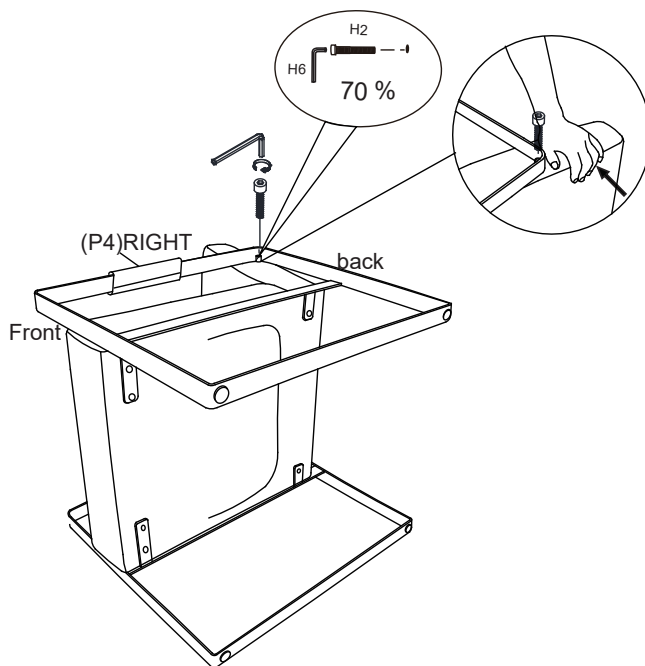
Step4.70% tighten bolts (H2) with allen wrench (H6) as illustration below.



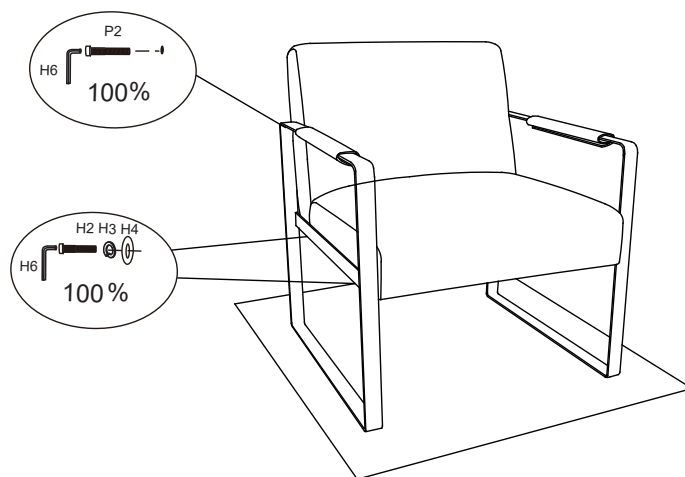
Step5. Turn the chair over, put on the leg, 70% tighten bolts (H2) and washers (H3 and H4) with allen wrench (H6) as illustration below.



Step6.70% tighten bolts (H2) with allen wrench (H6) as illustration below.



Step7. Fully tighten the bolts as illustration below.



ADDITIONAL NOTE ABOUT SAFETY: BOLTS MAY LOOSEN DURING NORMAL EVERYDAY USE. THEY SHOULD BE PERIODICALLY INSPECTED AND RE-TIGHTENED TO PREVENT DAMAGE OR INJURY. ALWAYS CHECK TO **ENSURE THAT ALL HARDWARE IS KEPT TIGHTENED.**

Thank you for your purchase