



# ASSEMBLY INSTRUCTIONS

Description: TRISTAN RECTANGULAR DINING TABLE

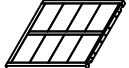





## Important safety instructions:

- Please read carefully all instructions before assembly.
- For your safety and ease, assembly by two or more adults is recommended.
- Keep instructions for future use.









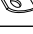

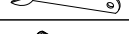

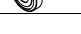
## Pre-assembly:

- Do not discard any content until assembly is complete to avoid accidentally discarding small parts or hardware.
- Take out all parts and hardware from box.

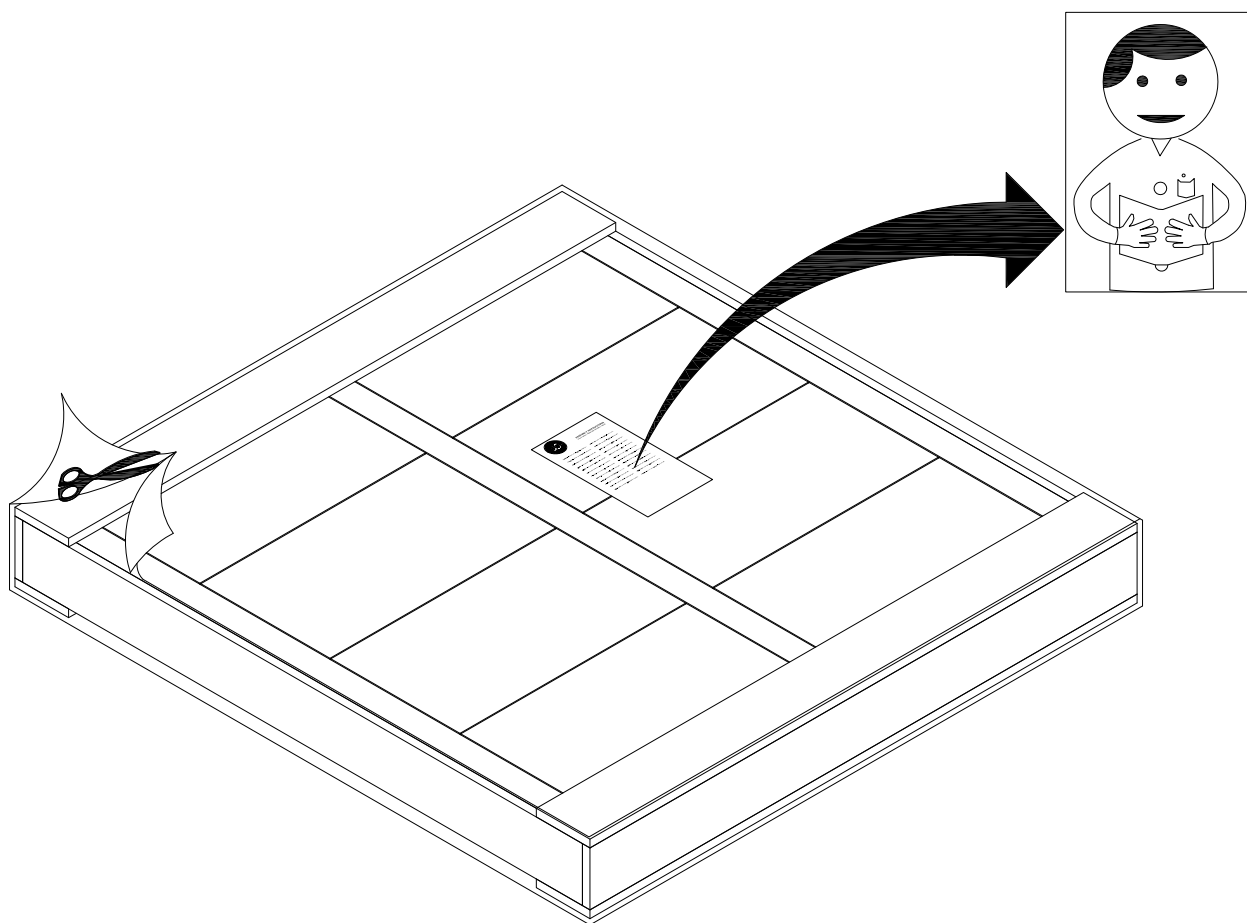
## Parts List

Item	Description	Image	QTY
P1	Table Tops		2
P2	Leg Assemblies		2
P3	Top Support Rails		2
P4	Bottom Base		2
P5	Stretcher 1		1
P6	Stretcher 2		1

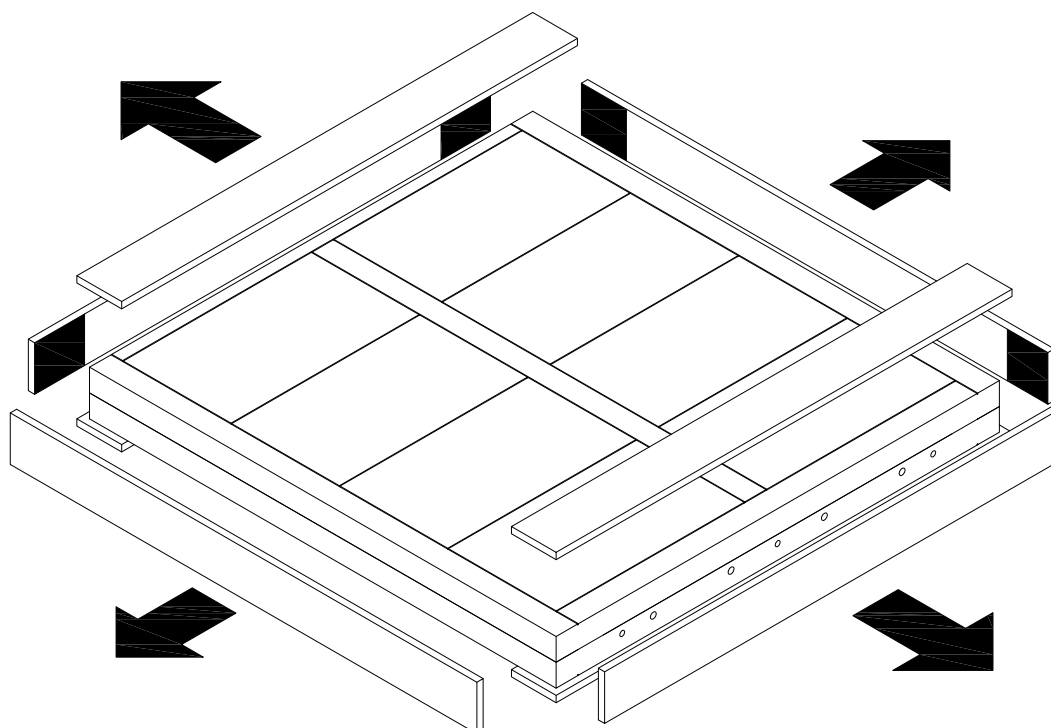
## Hardware List

Item	Description	Image	QTY
H1	Long Bolts M6x90mm		3
H2	Medium Bolts M6x70mm		8
H3	Short Bolts M6x50mm		18
H4	Lock Washers		3
H5	Flat Washers		3
H6	Sleeve Nuts		3
H7	Thread Bolts		3
H8	Nuts		3
H9	Curved Square Washers		3
H10	Allen Keys		2
H11	Wrench		1
H12	Dowels		10
H13	Adjustable Leveler Feet		4

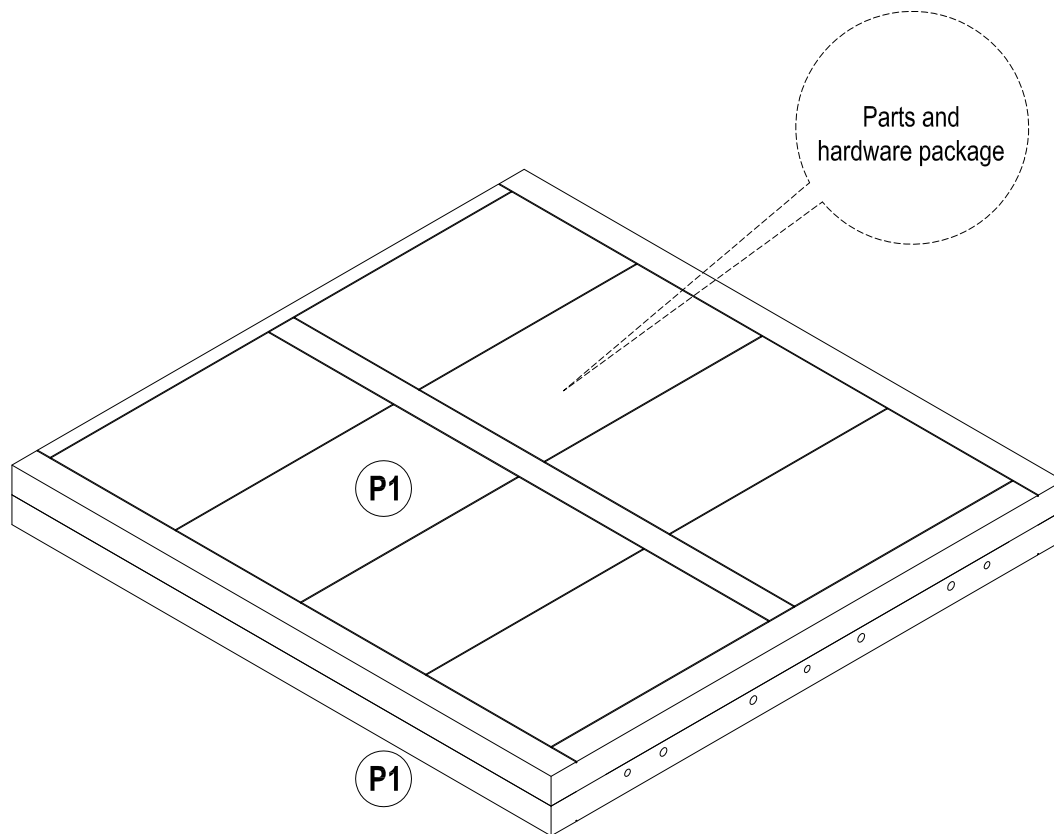
Step 1: Cut plastic wrapping to open and read carefully all instructions before assembly.



Step 2: Remove all packing protective panels.

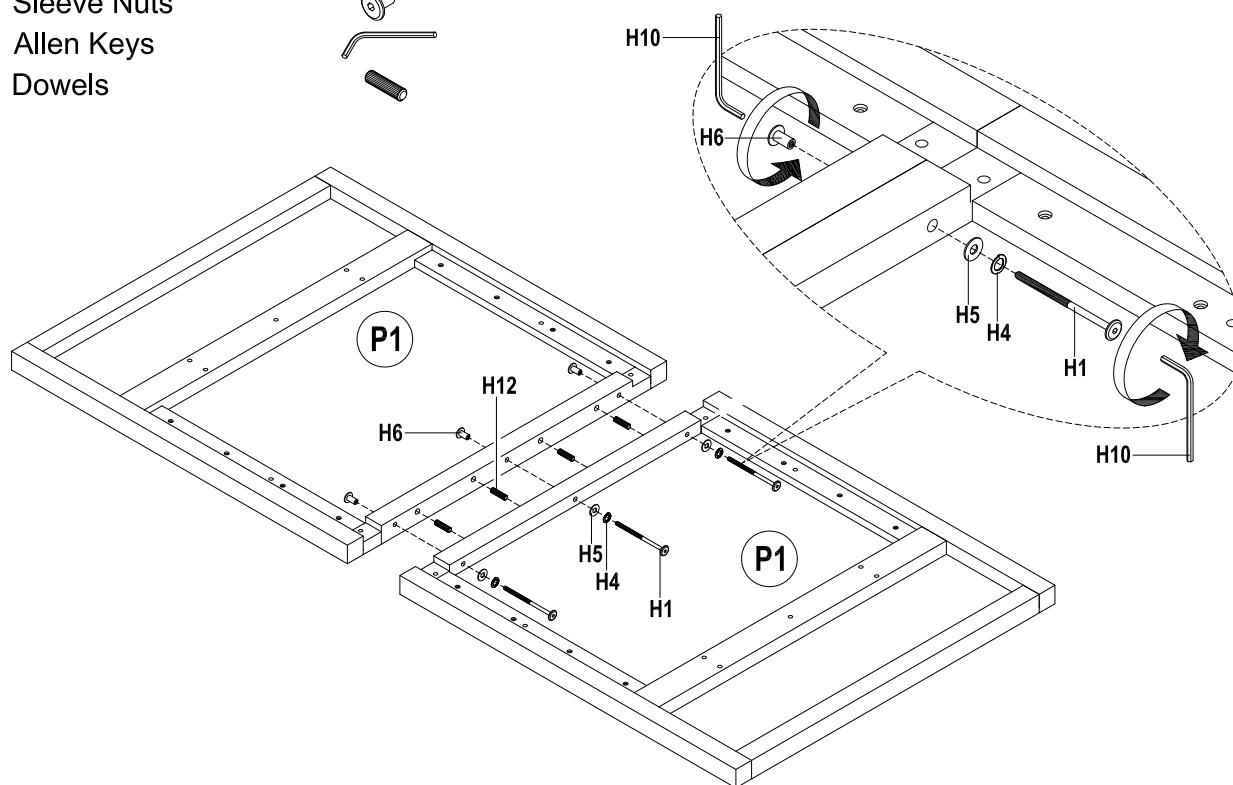


Step 3: Assemble the Table Top (P1) on a flat, soft surface such as a carpet or cloth to prevent scratching the finish. Remove all parts and hardware package from the table top (P1).



Step 4: Joint two Table Tops (P1) using Lock washers (H4), Flat washers (H5), Long Bolts (H1), Sleeve Nuts (H6) and Dowels (H12) as shown below.

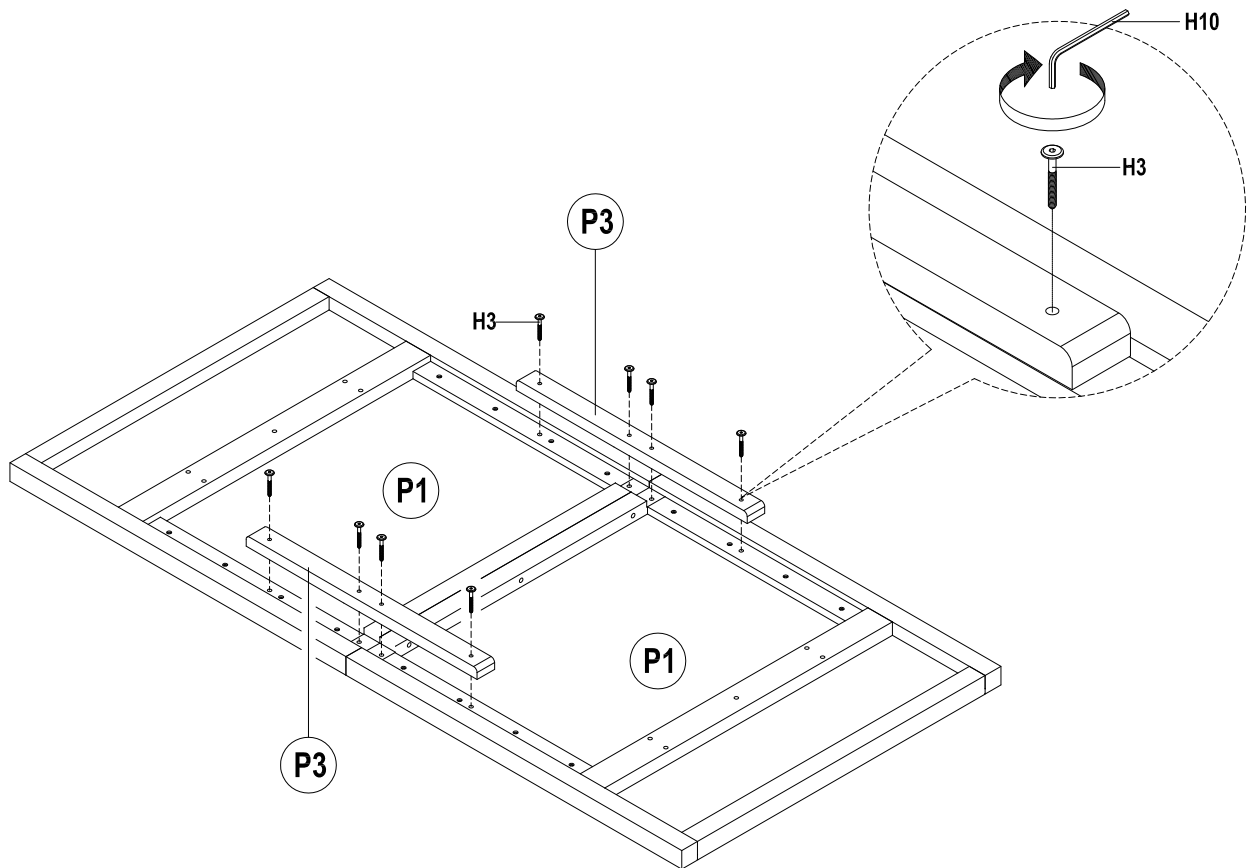
- (H1)x3 Long Bolts M6x90mm 
- (H4)x3 Lock Washers 
- (H5)x3 Flat Washers 
- (H6)x3 Sleeve Nuts 
- (H10)x2 Allen Keys 
- (H12)x4 Dowels 



Step 5: Attach Top Support Rails (P3) to Table Top (P1) using Short Bolts (H3) as shown below.

(H3)x8 Short Bolts M6x50mm 

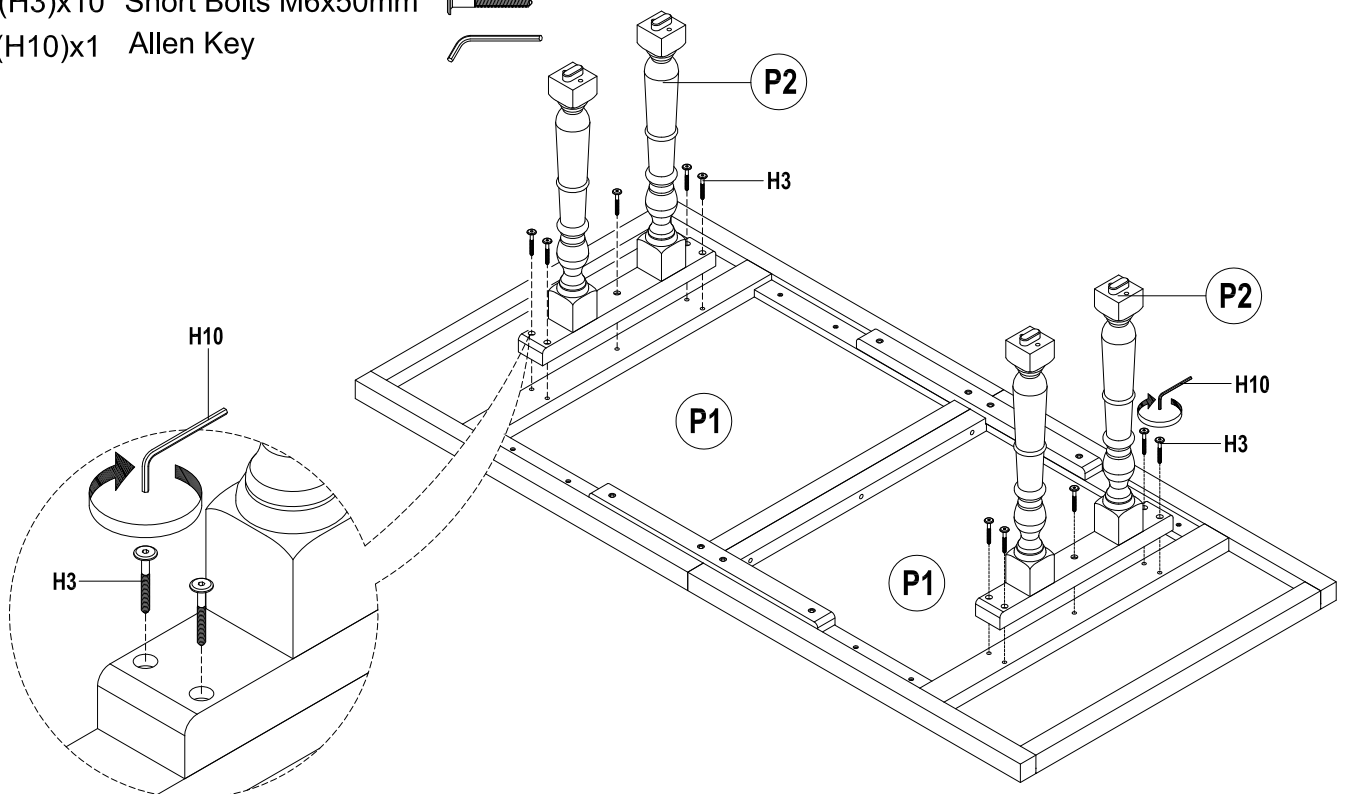
(H10)x1 Allen Key 





Step 6: Attach Leg Assemblies (P2) to Table Top (P1) using Short Bolts (H3) as shown below.

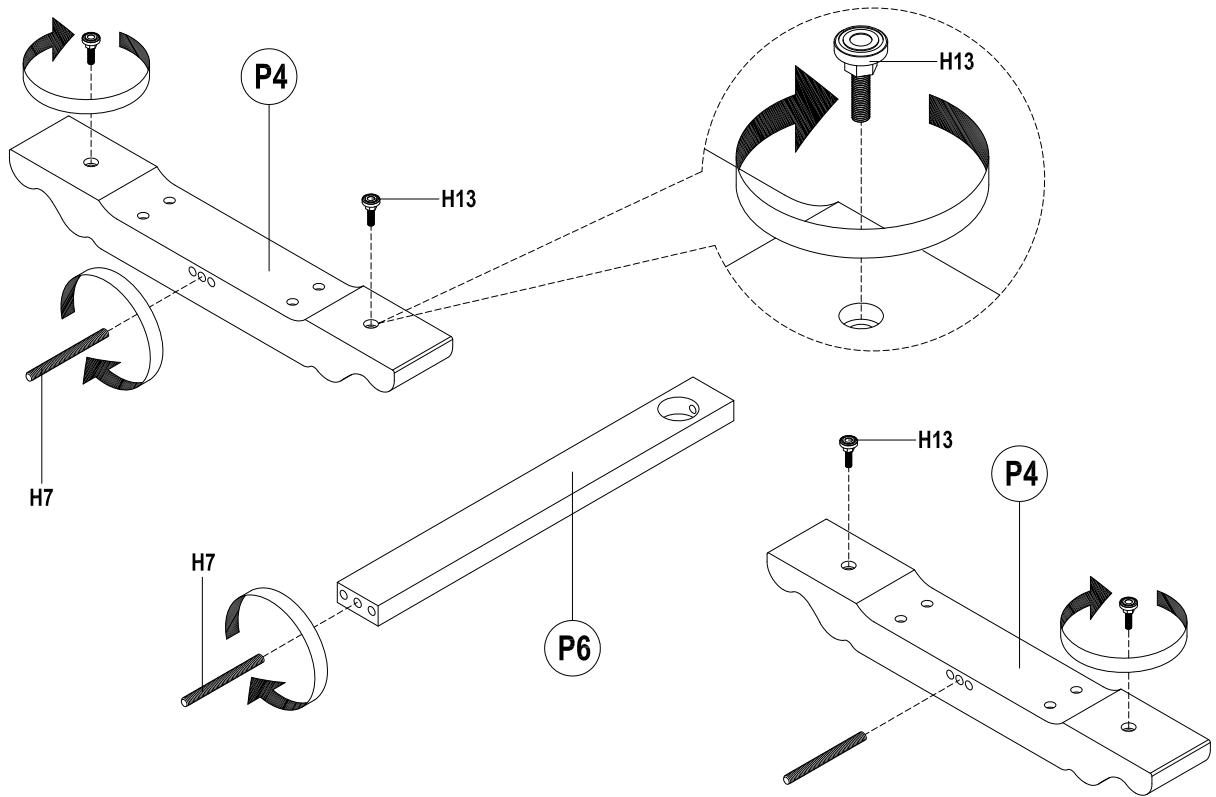
(H3)x10 Short Bolts M6x50mm 

(H10)x1 Allen Key 







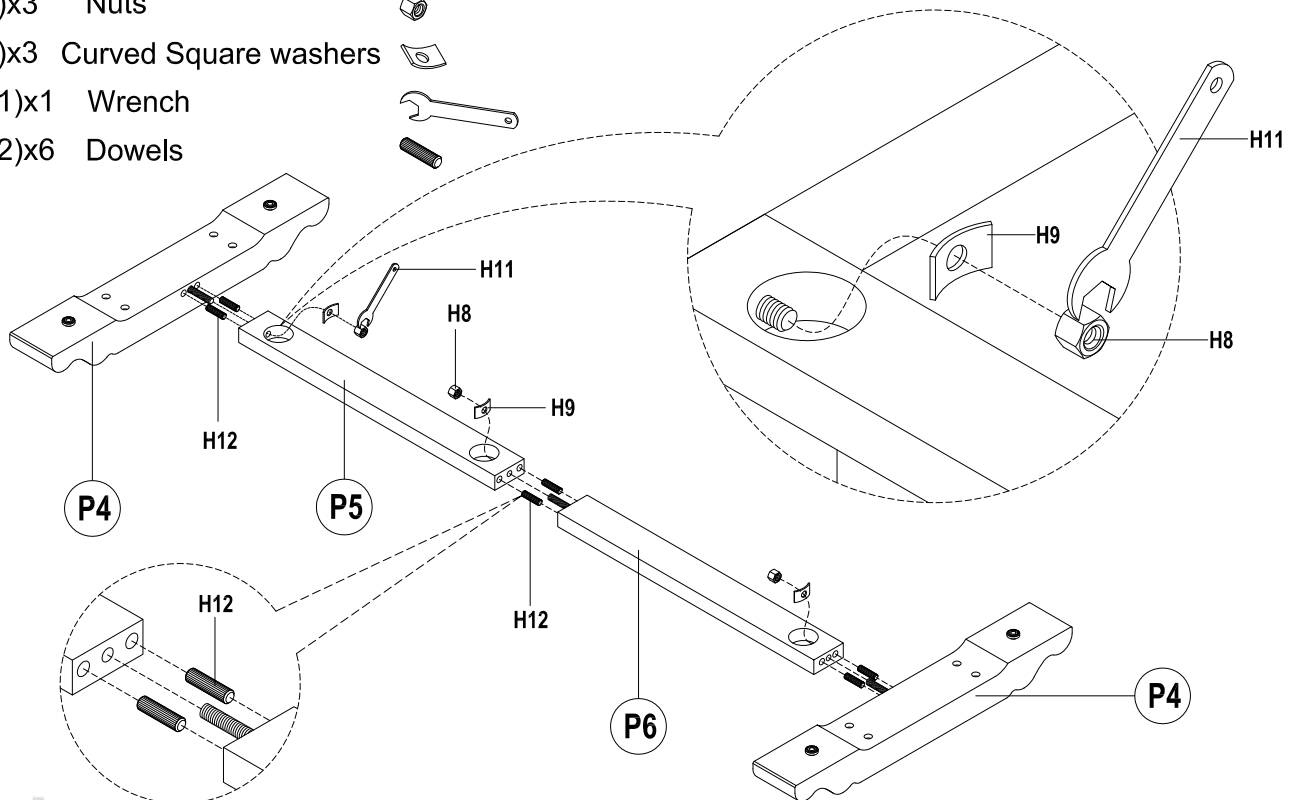
Step 7: Attach Thread Bolts (H7) to Bottom Leg Bases (P4) and Stretcher 2 (P6). Attach Adjustable Leveler feet (H13) to Bottom Base (P4) as shown below.

- (H7)x3 Thread Bolts 
- (H13)x4 Adjustable Leveler Feet 





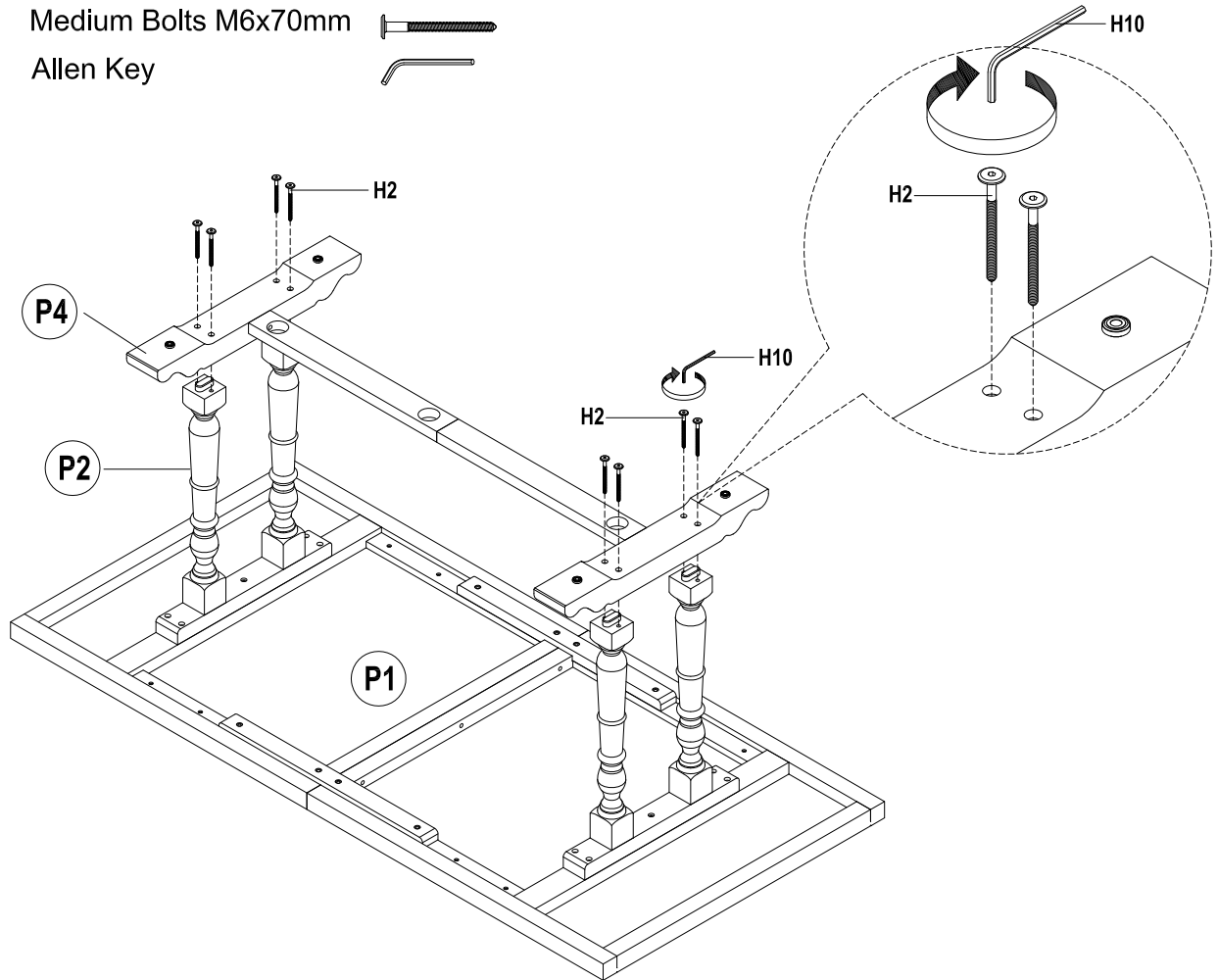
Step 8: Attach Stretcher 1 (P5) to Stretcher 2 (P6) using Nut (H8), Curved Square washer (H9) and Dowels (H12). Attach Bottom Bases (P4) to stretchers (P5 and P6) using Nuts (H8), Curved Square washers (H9) and Dowels (H12) as shown below.

- (H8)x3 Nuts 
- (H9)x3 Curved Square washers 
- (H11)x1 Wrench 
- (H12)x6 Dowels 

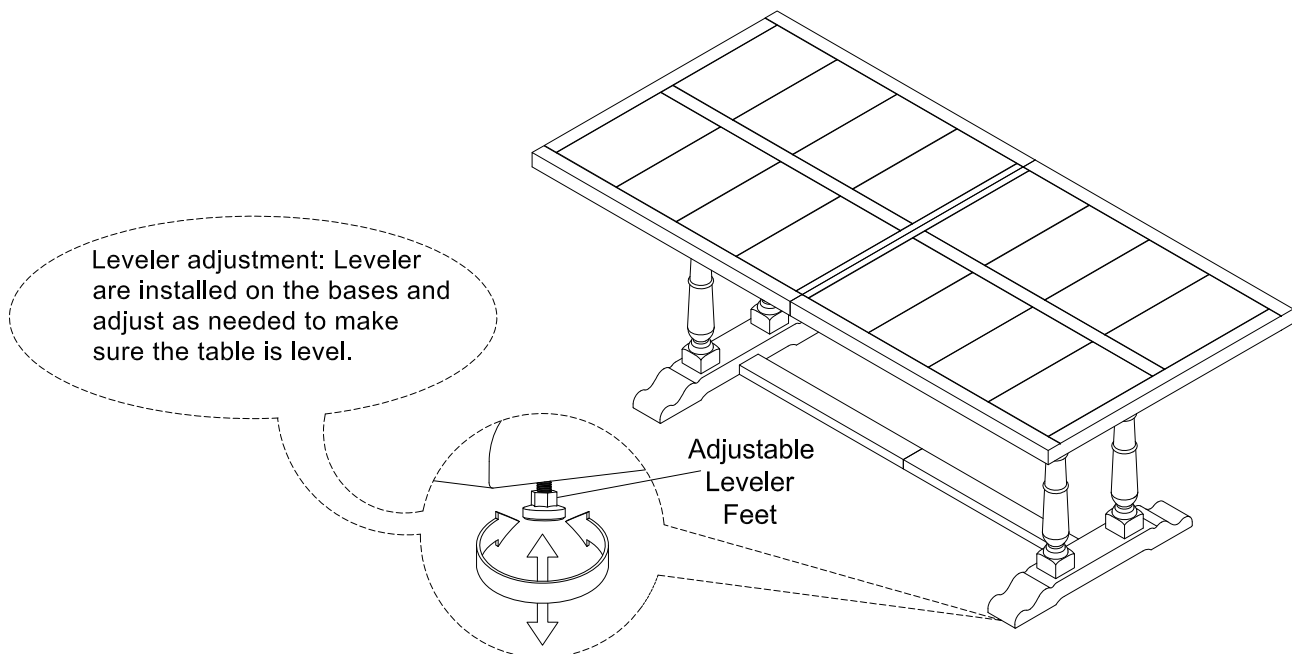


Step 9: Attach the assembled base (P4) to the bottom of leg assemblies (P2) using Medium Bolts (H2) as shown below.

- (H2)x8 Medium Bolts M6x70mm 
- (H10)x1 Allen Key 



Step 10: Turn the assembled Table to an upright position. Assembly is complete.



**ADDITIONAL NOTE ABOUT SAFETY: BOLTS MAY LOOSEN DURING NORMAL EVERYDAY USE. THEY SHOULD BE PERIODICALLY INSPECTED AND RE-TIGHTENED TO PREVENT DAMAGE OR INJURY. ALWAYS CHECK TO ENSURE THAT ALL HARDWARE IS KEPT TIGHTENED.**

Thank you for your purchase