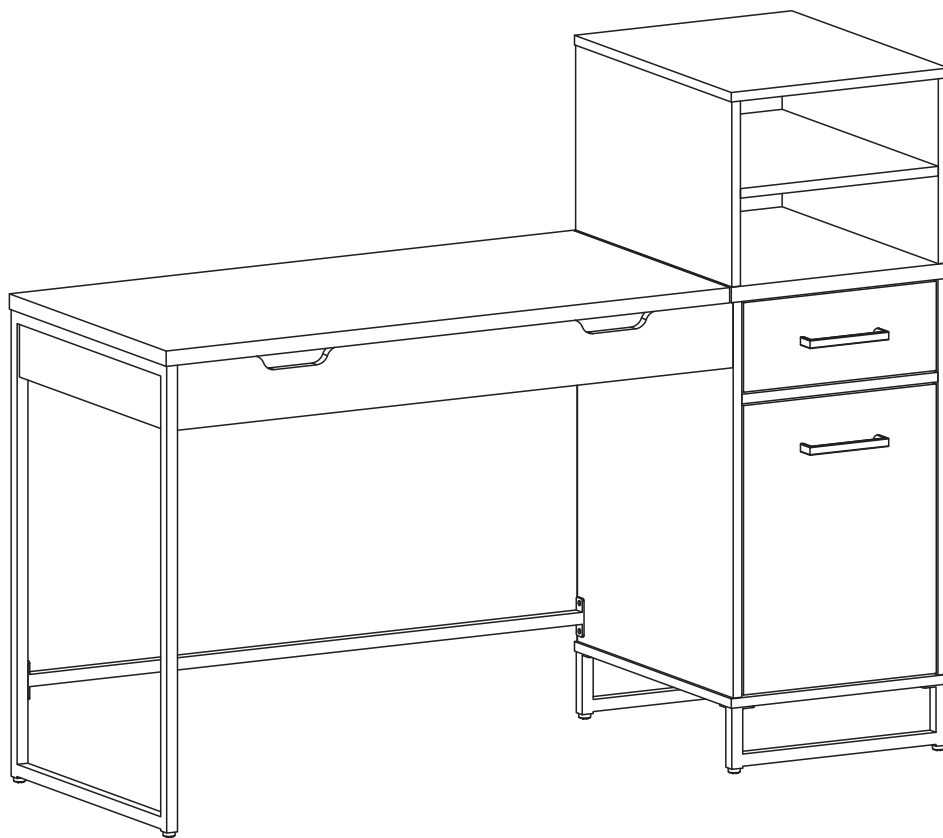


HGN784

HAGNEY LANE WORK SMART® SIT-TO-STAND DESK

*PATENT PENDING



Assembly Instructions - Important:

Carefully unpack and identify each component before attempting to assemble. Refer to parts list. Please take care when assembling the unit and always set the parts on a clean, soft surface. If you require any assistance with assembly, parts or information on other products, please visit our website: www.officestar.net or call or write us.



STOP: Read these instructions carefully and keep with the product for future reference. If this product is passed on to a third party, then these instructions must be included.

When using this product, basic safety precautions should always be followed to reduce the risk of injury including the following:

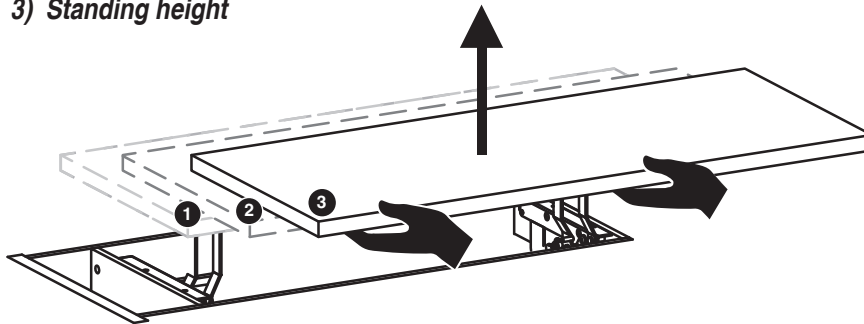
- A competent adult must assemble this product
- Keep children and pets away while assembling this product
- Do not let children climb or play on this product
- Children should not operate this lift mechanism
- Use caution when operating lift mechanism. To avoid possible pinching injury, keep hands clear of any contact zones
- Do not use this product if any parts are missing, damaged, or worn.
- To avoid scratching the floor, or product surface, assemble this product on a soft non marring surface.
- Always use this product on firm, level ground
- Regularly inspect the product for wear and tear. Stop using the product at first sign of damage or if parts become detached.
- Do not stand or sit on this product
- The lifted desktop payload is intended to hold up to 25 lbs (11.3 kg)
- The lift mechanism and all its moving parts must be replaced and/or repaired by a qualified professional.
- This product has been designed to operate only under its intended purpose.

TO OPERATE LIFT DESK

Once desk assembly is complete, carefully inspect desk to insure all parts are operating correctly

To Raise Desktop To 3-Level Sit To Stand Positions:

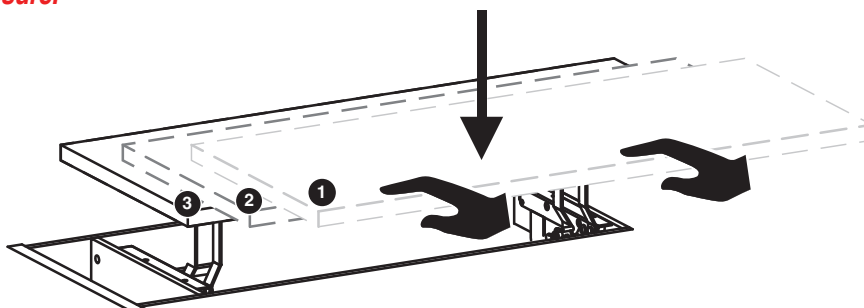
1. *With two hands, grasp front edge of desk top and using a steady even motion, pull desk top upward toward yourself until you hear an audible click to lock into desired position.*
2. **NOTE:** *You will hear an audible click to signify level option is locked into place.*
3. **The level options are:**
 - 1) *All the way down with desk return*
 - 2) *Mid-level*
 - 3) *Standing height*

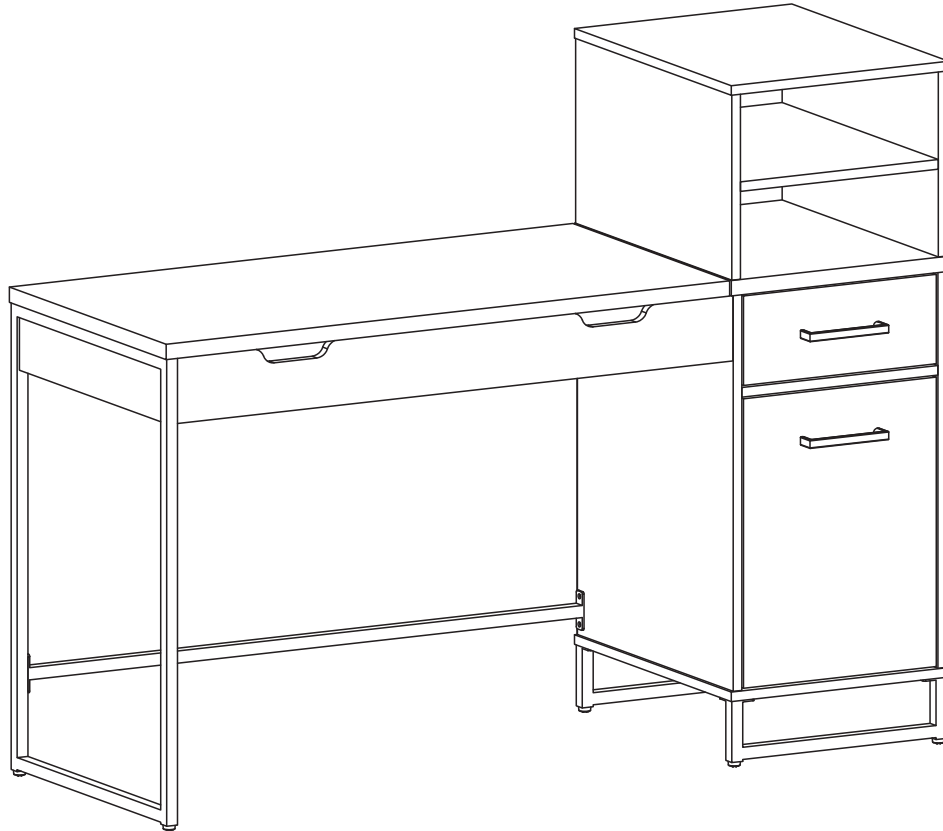


To Lower Desk Lift Mechanism:

1. *With two hands, raise desk top to the highest (3rd) position. Gently push the desktop downward using a steady even motion. You will NOT hear any audible clicking when lowering mechanism is engaged.*

NOTE: *Our patent pending safety soft-close will pause just above the fully lowered position to prevent slamming. Firmly push downward to complete closure.*



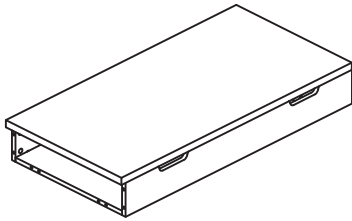


1. Do not use this product unless all screws and bolts are securely tightened.
2. Check that all screws and bolts are tight every three months or as needed.
3. Dispose of packing material properly. Do not use plastic cover as head covering. It may cause suffocation.
4. Do not use this product as a stepladder.
5. Use this product for its intended purpose only.
6. **FOR INDOOR RESIDENTIAL USE ONLY.**

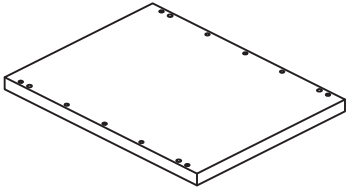
LIMITED WARRANTY

OSP Home Furnishings® warrants to the original purchaser that this product will be free from defects in material and workmanship as described below. OSP Home Furnishings® will repair or replace, at its option, without charge to the original purchaser only, defective products or parts for one (1) year from the date of purchase. Replacement parts can only be supplied if parts are available. Items out of production may be unavailable. This warranty shall be effective for the applicable time period beginning from the date of purchase as shown on your original sales receipt. This warranty is your sole remedy for product defects and excludes defects due to or arising in connection with product abuse or misuse, use modification of, or attachments to the product, and products or parts not used, maintained, or installed in accordance with the company's installation, maintenance and/or applicable guidelines. There are no other warranties, express or implied, other than those specifically described, including without limitation any implied warranty of merchantability or of fitness for a particular purpose. OSP Home Furnishings® will not be responsible for incidental or consequential damages. Some states do not allow the exclusion or limitation of incidental or consequential damages, so the above limitations or exclusions may not apply to you. This warranty gives you specific legal rights and you may also have other rights which may vary from state to state. Our quality standards are among the highest in the industry. Sometimes, no matter how hard we try, there are times when parts are damaged or missing. Our Parts Department will do everything possible to promptly remedy the problem. Contact us via e-mail parts@officestar.net, by Fax 1-909-930-5629, or toll free parts number 1-800-950-7262, Monday through Friday 8:00 a.m. - 3:30 p.m. Pacific Time. To make a warranty claim, contact Parts Department. Provide model number, proof of purchase, description of the problem and obtain return authorization. At its option OSP Home Furnishings® will: (a) Supply compatible components of current manufacture. (b) Repair the customer's component. The customer must prepay freight on any components returned to the factory. Return freight on components still in warranty will be paid by OSP Home Furnishings®.

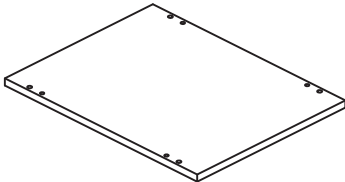
PARTS



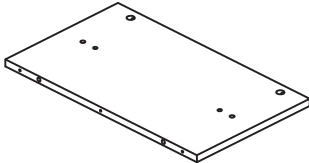
(A) Desk Top (1 PC)



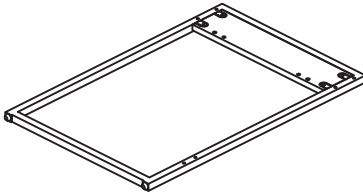
(B) Right Shelf (1 PC)



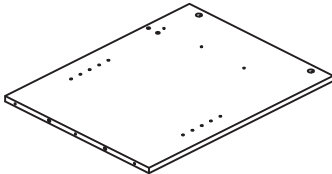
(C) Right Top Panel (1 PC)



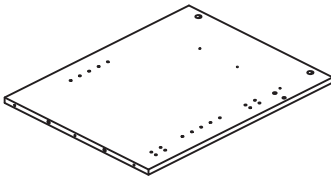
(D) Upper Side Panel (2 PCS)



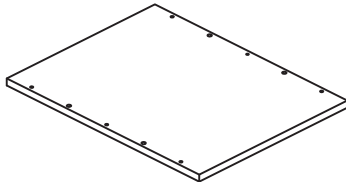
(E) Left Frame (1 PC)



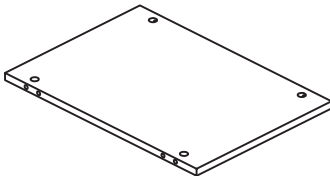
(F) Left Lower Side Panel (1 PC)



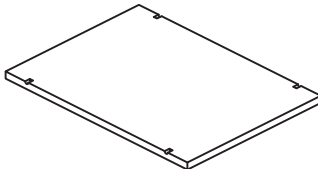
(G) Right Lower Side Panel (1 PC)



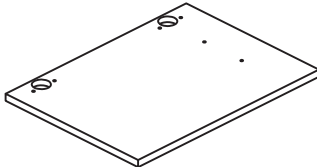
(H) Bottom Panel (1 PC)



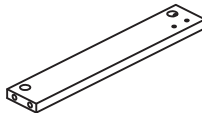
(I) Upper Shelf (1 PC)



(J) Adjustable Shelf (1 PC)

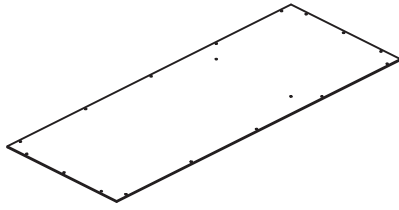


(K) Door (1 PC)

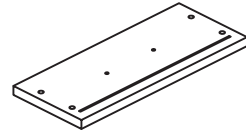


(L) Cross Rail (1 PC)

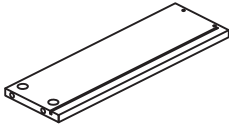
PARTS



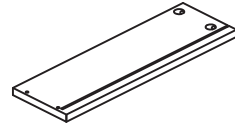
(M) Back Panel (1 PC)



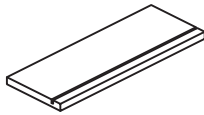
(N) Drawer Front Panel (1 PC)



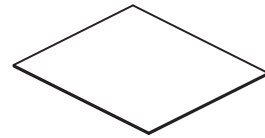
(O) Drawer Left Side Panel (1 PC)



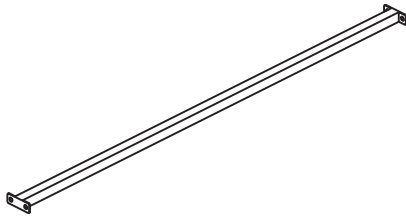
(P) Drawer Right Side panel (1 PC)



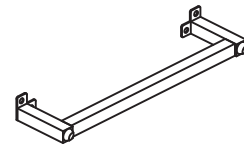
(Q) Drawer Rear Panel (1 PC)



(R) Drawer Bottom Panel (1 PC)



(S) Support (1 PC)

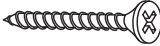



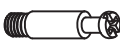


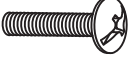
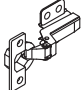




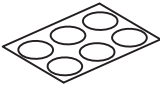

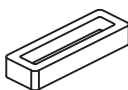




(T) Right Frame (2 PCS)

HARDWARE LIST

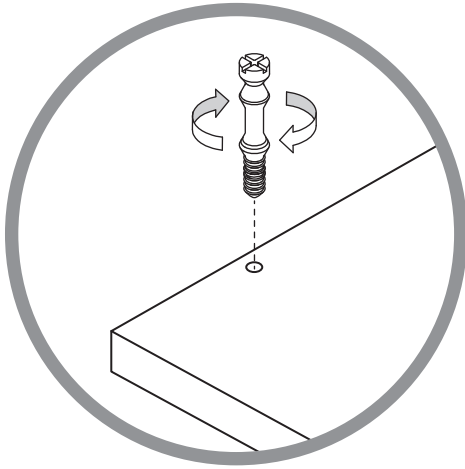
NO	DRAWING	DESCRIPTION	SIZE	QUANTITY
1		Bolt	1/4" x 1/2"	12 PCS + 2 Extra
2		Screw	Ø4 x 9/16"	12 PCS + 2 Extra
3		Screw	Ø3.5 x 1/2"	12 PCS + 2 Extra
4		Screw	Ø3.5 x 5/8"	2 PCS

HARDWARE LIST

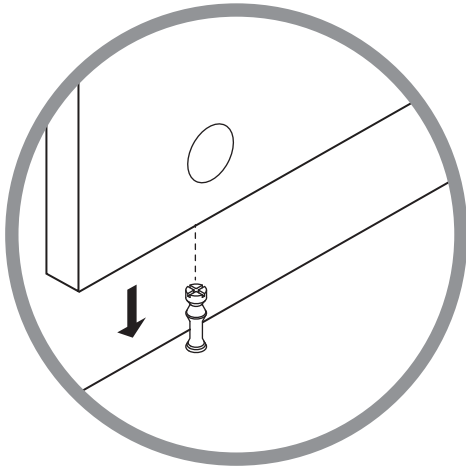
NO	DRAWING	DESCRIPTION	SIZE	QUANTITY
5		Screw	#8 x 1-3/16"	16 PCS + 2 Extra
6		Screw	Ø3 x 5/8"	18 PCS + 2 Extra
7		Wooden Dowel	Ø8 x 30mm	28 PCS + 2 Extra
8		Cam Screw	M8 x 28mm	26 PCS + 3 Extra
9		Cam Screw	M6 x 28mm	4 PCS
10		Cam Nut	Ø15 x 12mm	26 PCS + 3 Extra
11		Cam Nut	Ø15 x 19mm	4 PCS
12		Bolt	5/32" x 22mm	4 PCS
13		Euro Hinge	N/A	2 PCS
14		Left Drawer Rail	N/A	1 PC
15		Right Drawer Rail	N/A	1 PC
16		Left Drawer Slide	N/A	1 PC
17		Right Drawer Slide	N/A	1 PC
18		Sticker	N/A	5 PCS
19		Handle	N/A	2 PCS
20		Door Stop	N/A	1 PC
21		Allen Wrench	N/A	1 PC
22		Shelf Pin	N/A	4 PCS

Phillips screwdriver & hammer also needed for assembly (not provided)

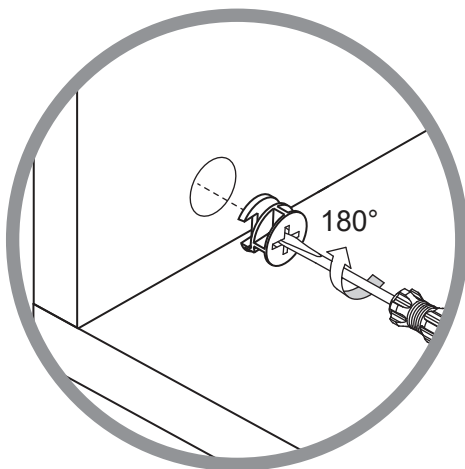
CAM LOCK INSTALLATION



Screw in Cam Screw. Fully Tighten.

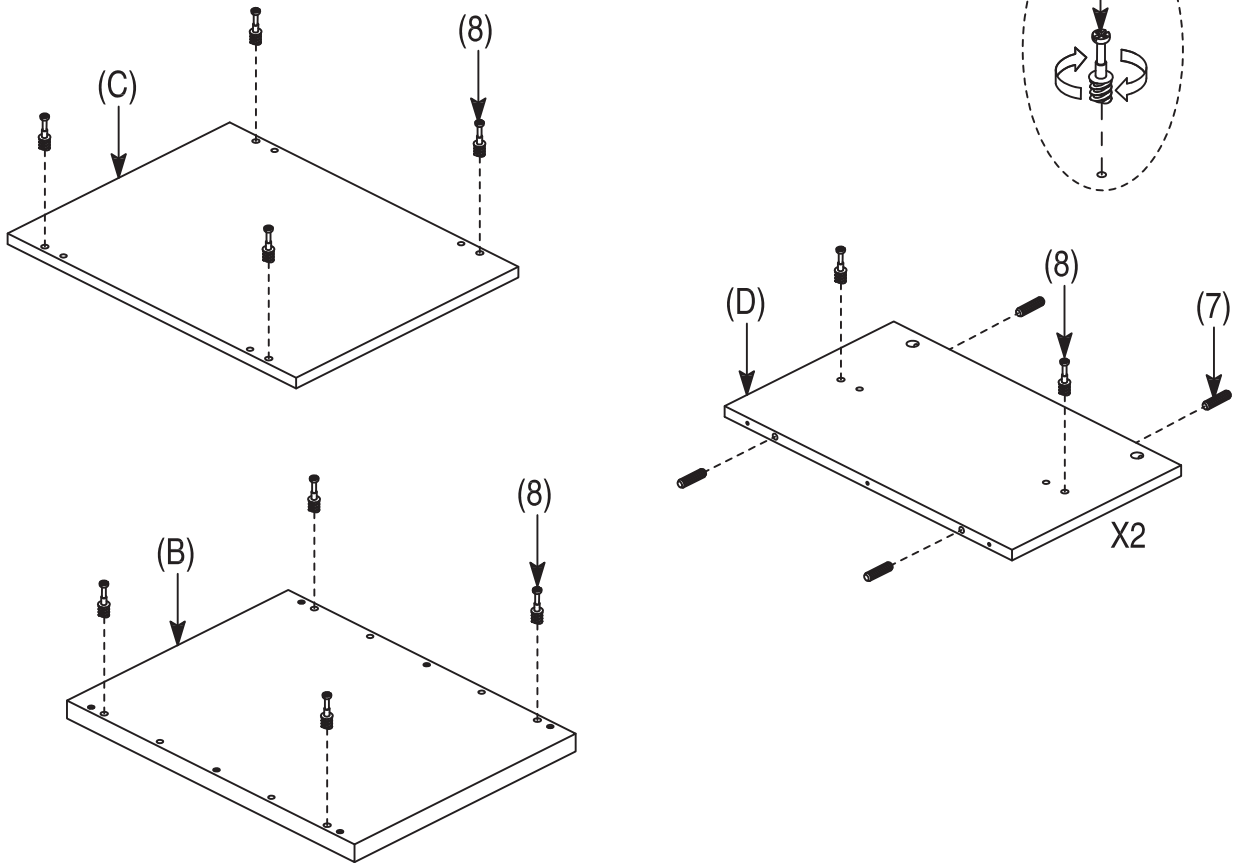


Align hole in panel with Cam Screw. Attach.



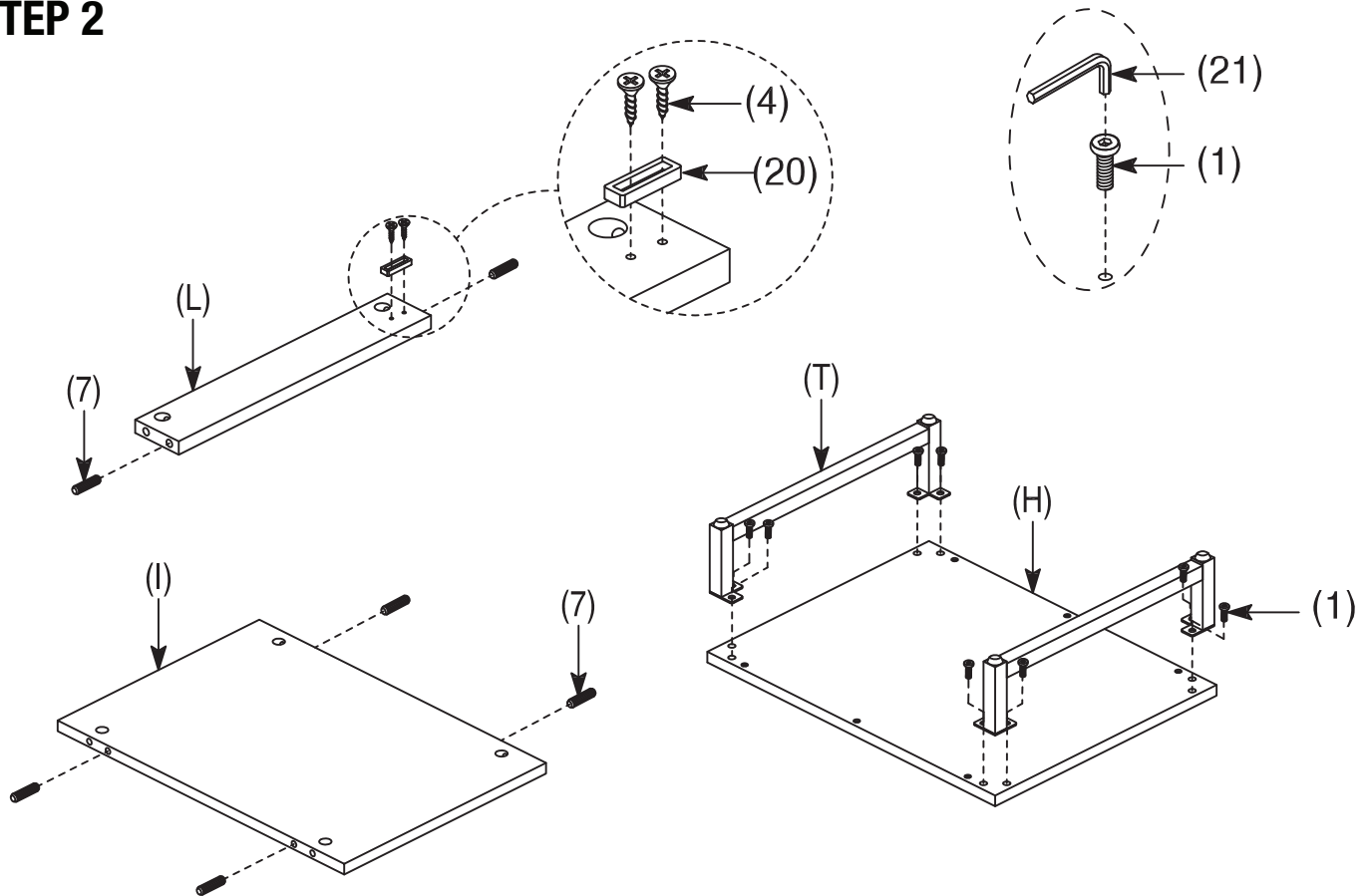
**Screw Cam Nut in. Turn clock-wise until you feel
Cam Nut securely fasten to Cam Screw.
Fully tighten Cam Nut.**

STEP 1



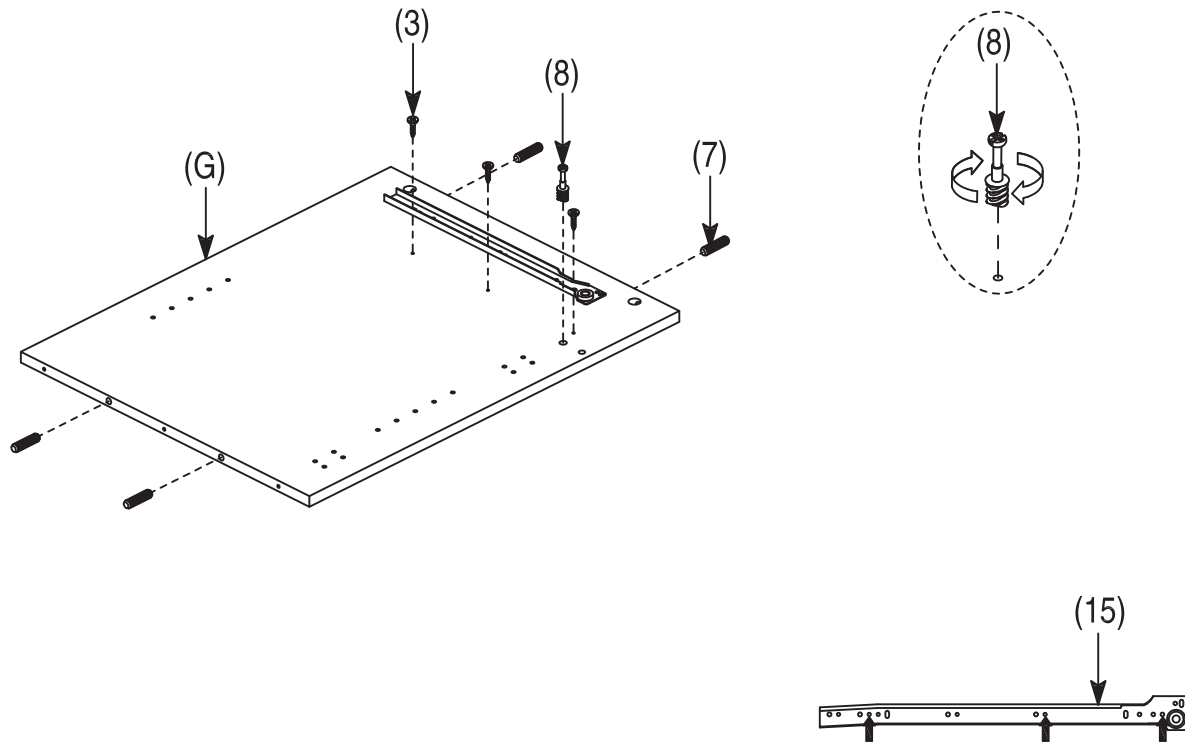
FULLY TIGHTEN ALL CAM SCREWS (8)

STEP 2



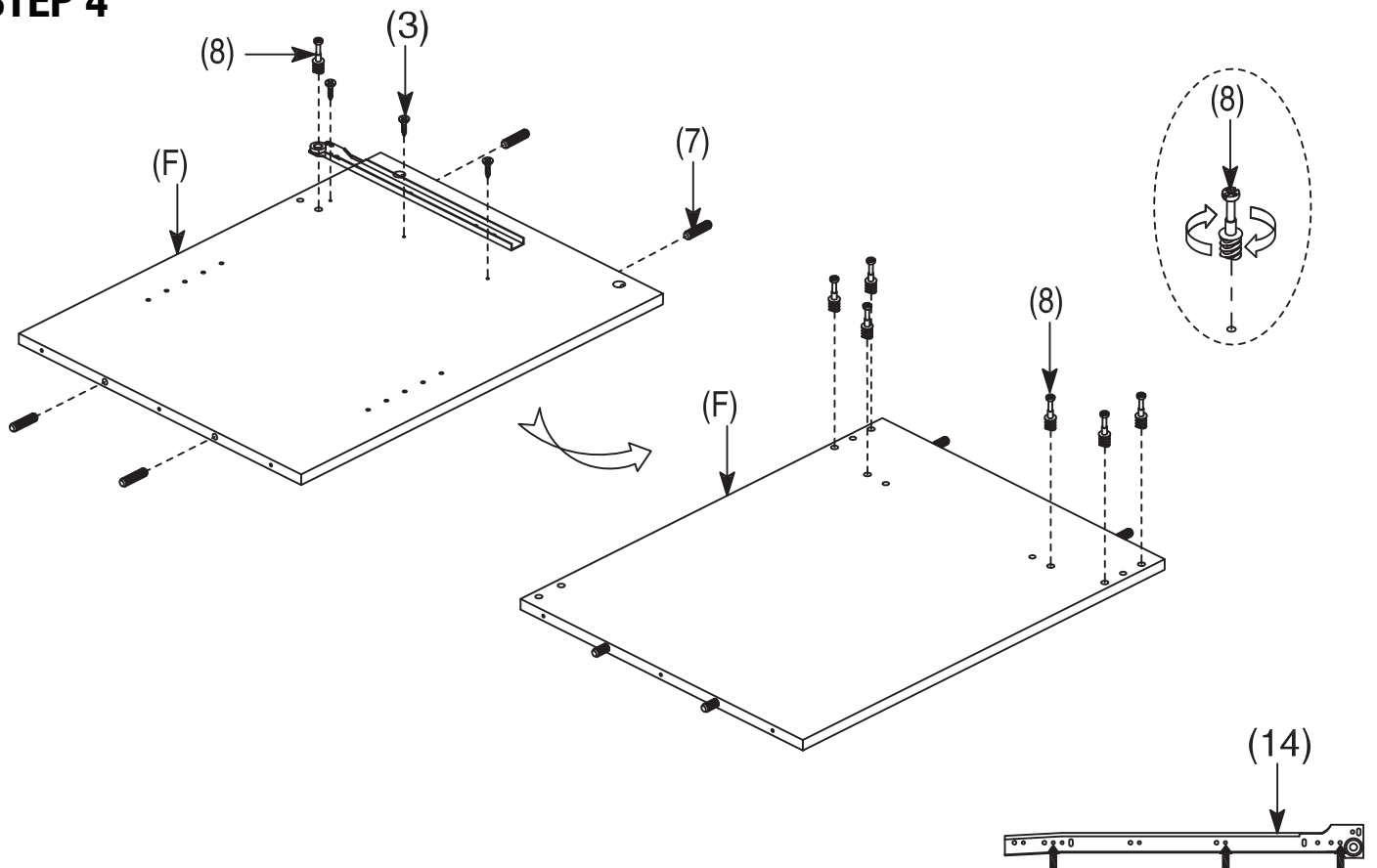
FULLY TIGHTEN ALL SCREWS

STEP 3



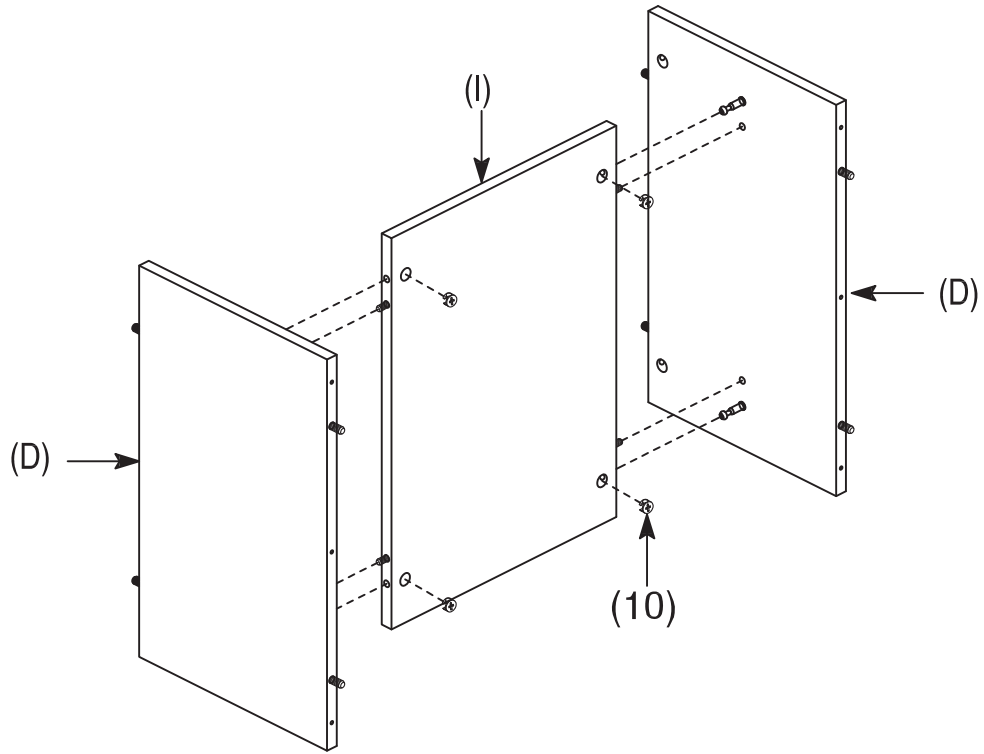
FULLY TIGHTEN ALL CAM SCREWS (8)

STEP 4



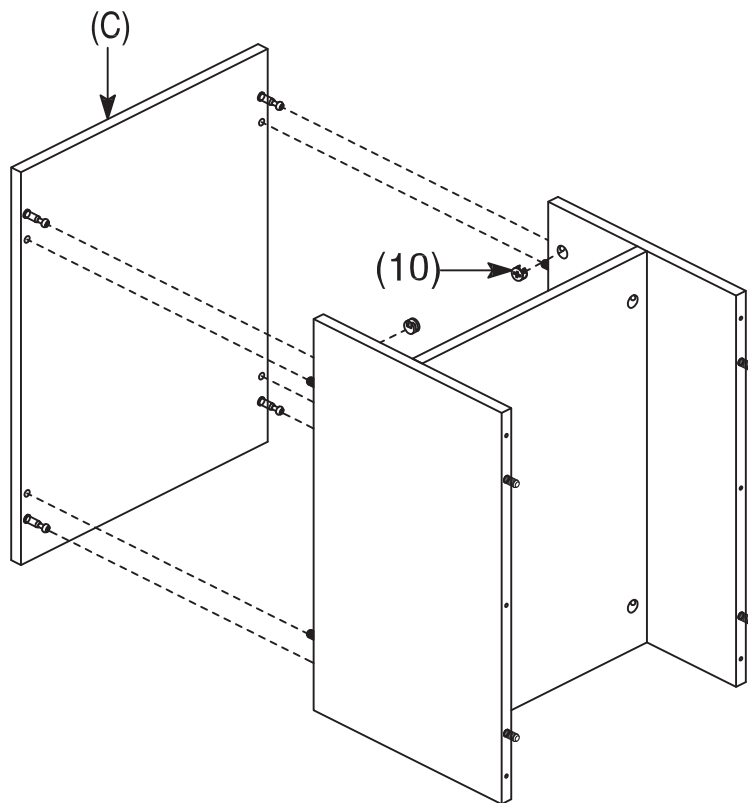
FULLY TIGHTEN ALL CAM SCREWS (8)

STEP 5



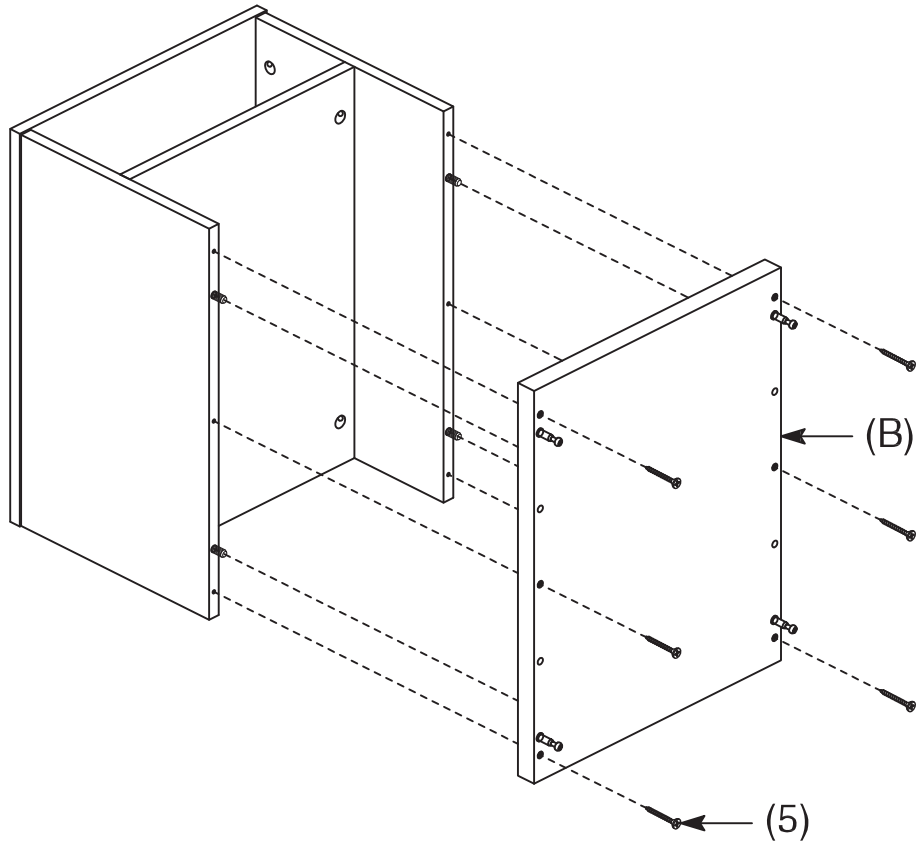
FULLY TIGHTEN ALL CAM NUTS (10)

STEP 6



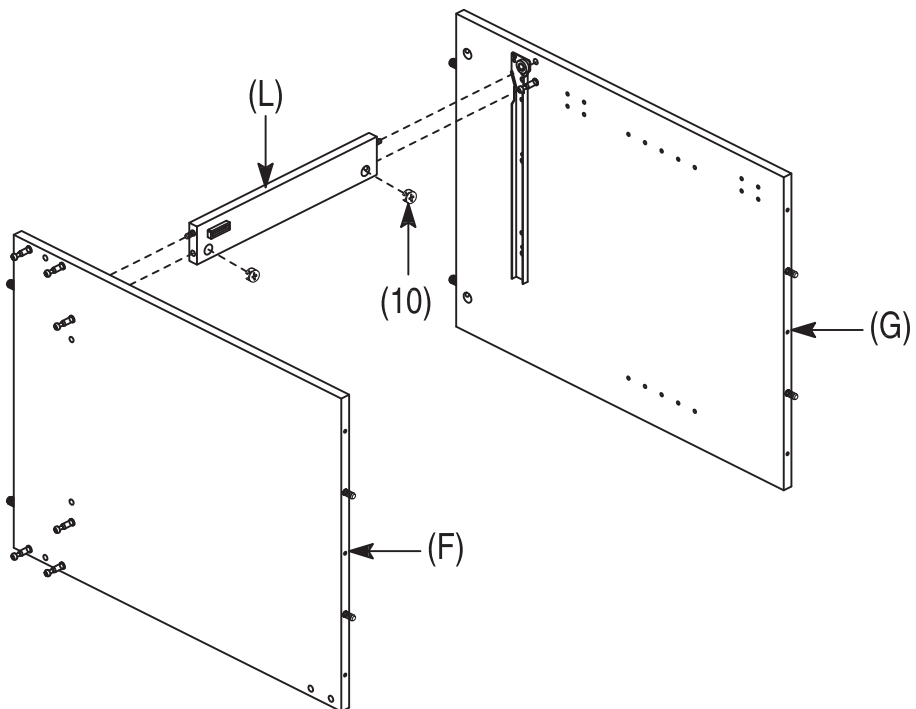
FULLY TIGHTEN ALL CAM NUTS (10)

STEP 7



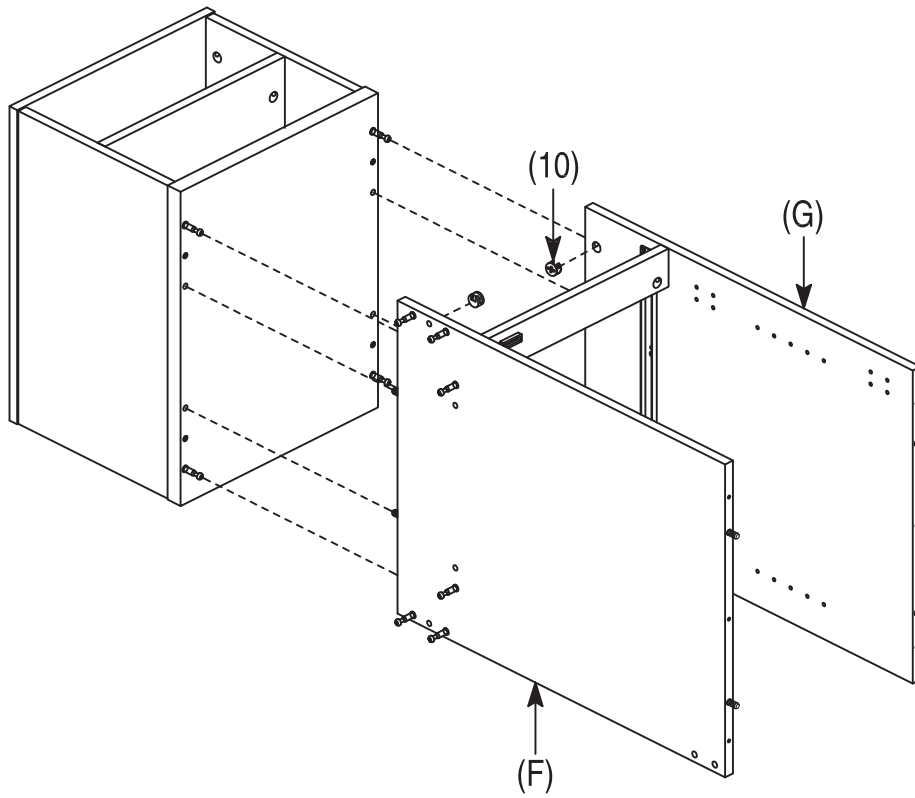
FULLY TIGHTEN ALL SCREWS (5)

STEP 8



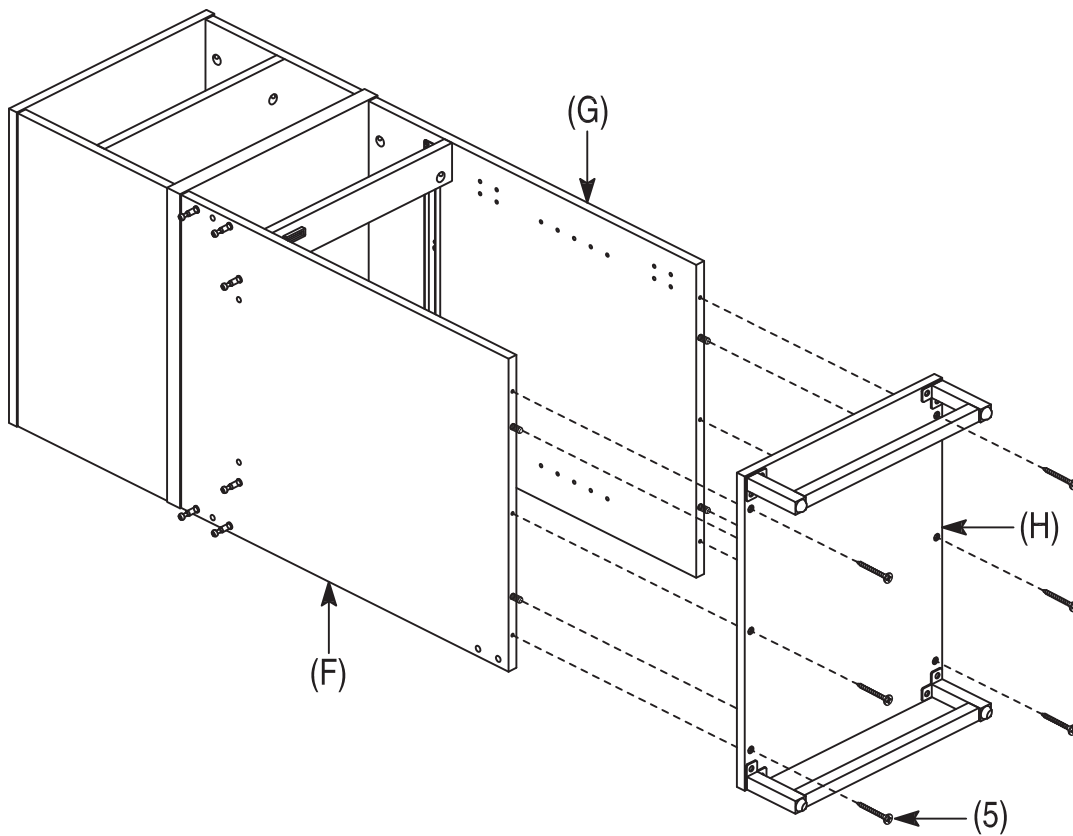
FULLY TIGHTEN ALL CAM NUTS (10)

STEP 9



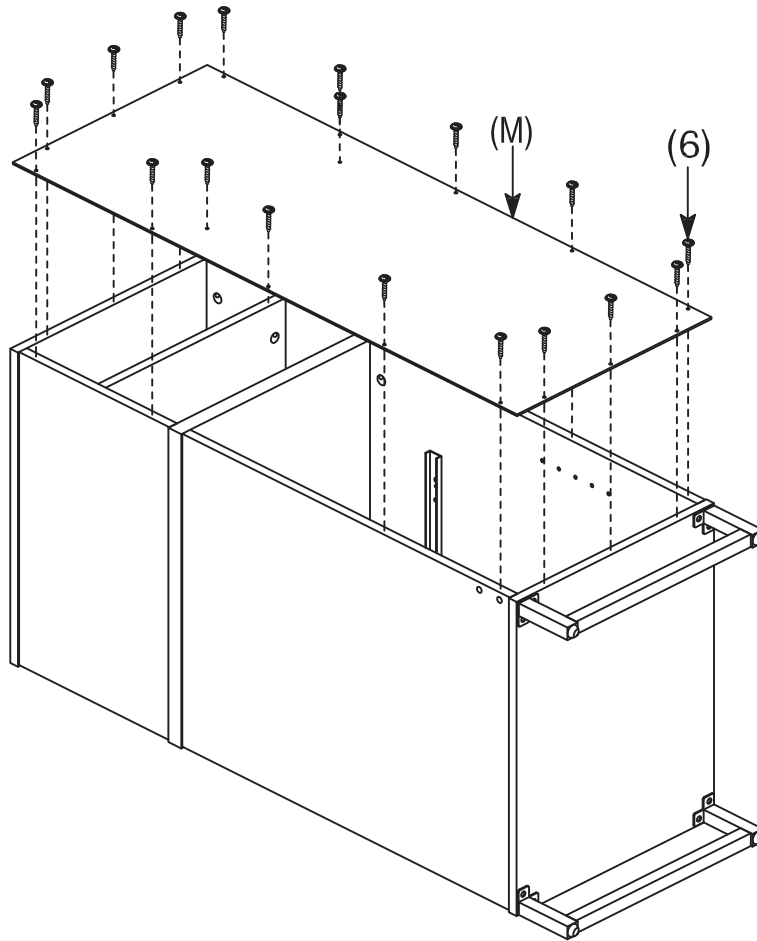
FULLY TIGHTEN ALL CAM NUTS (10)

STEP 10



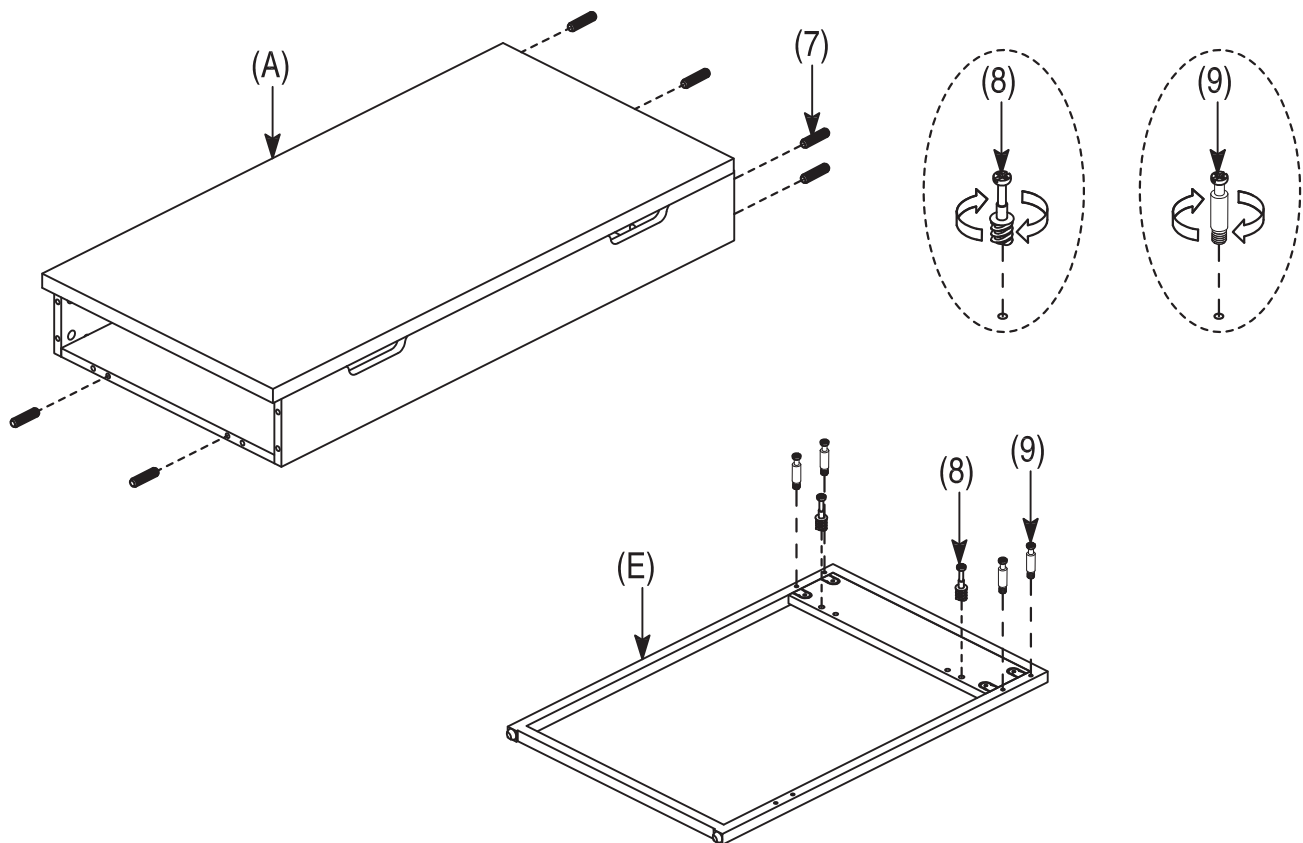
FULLY TIGHTEN ALL SCREWS (5)

STEP 11



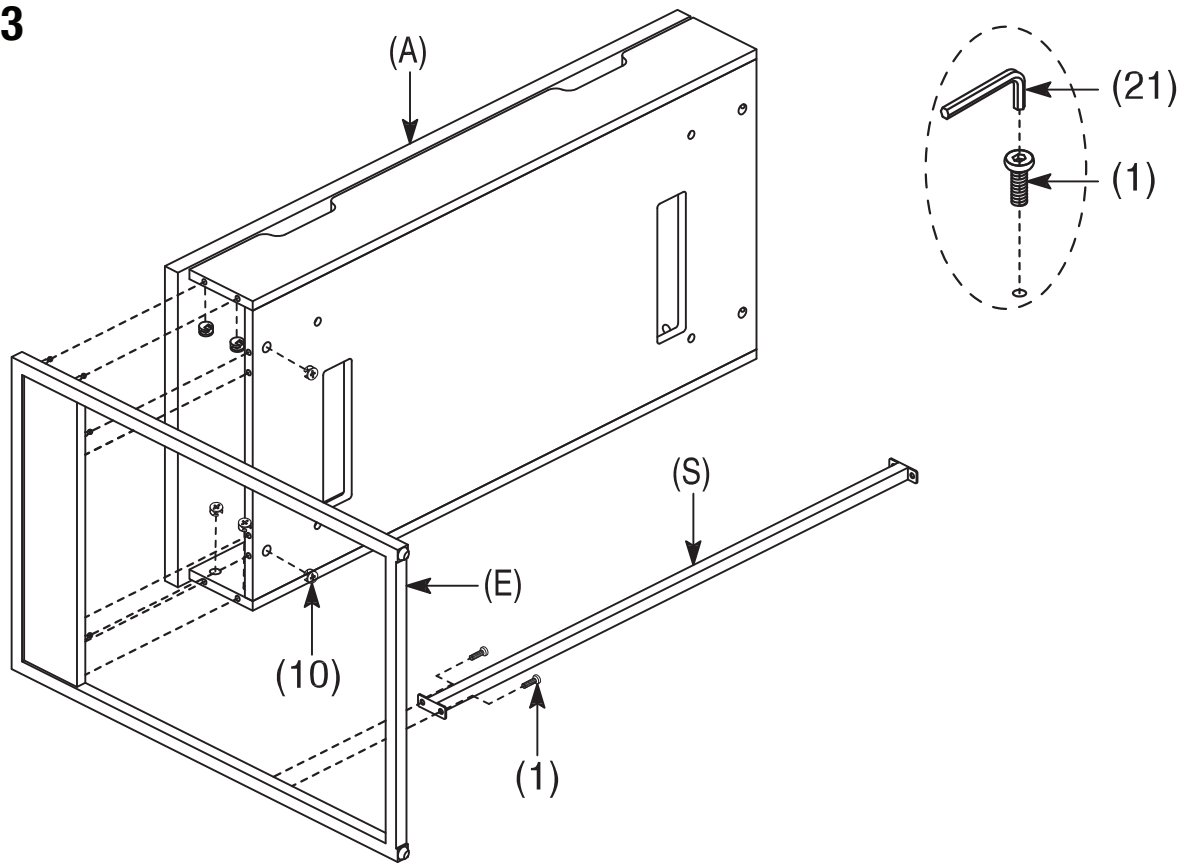
FULLY TIGHTEN ALL SCREWS (6)

STEP 12



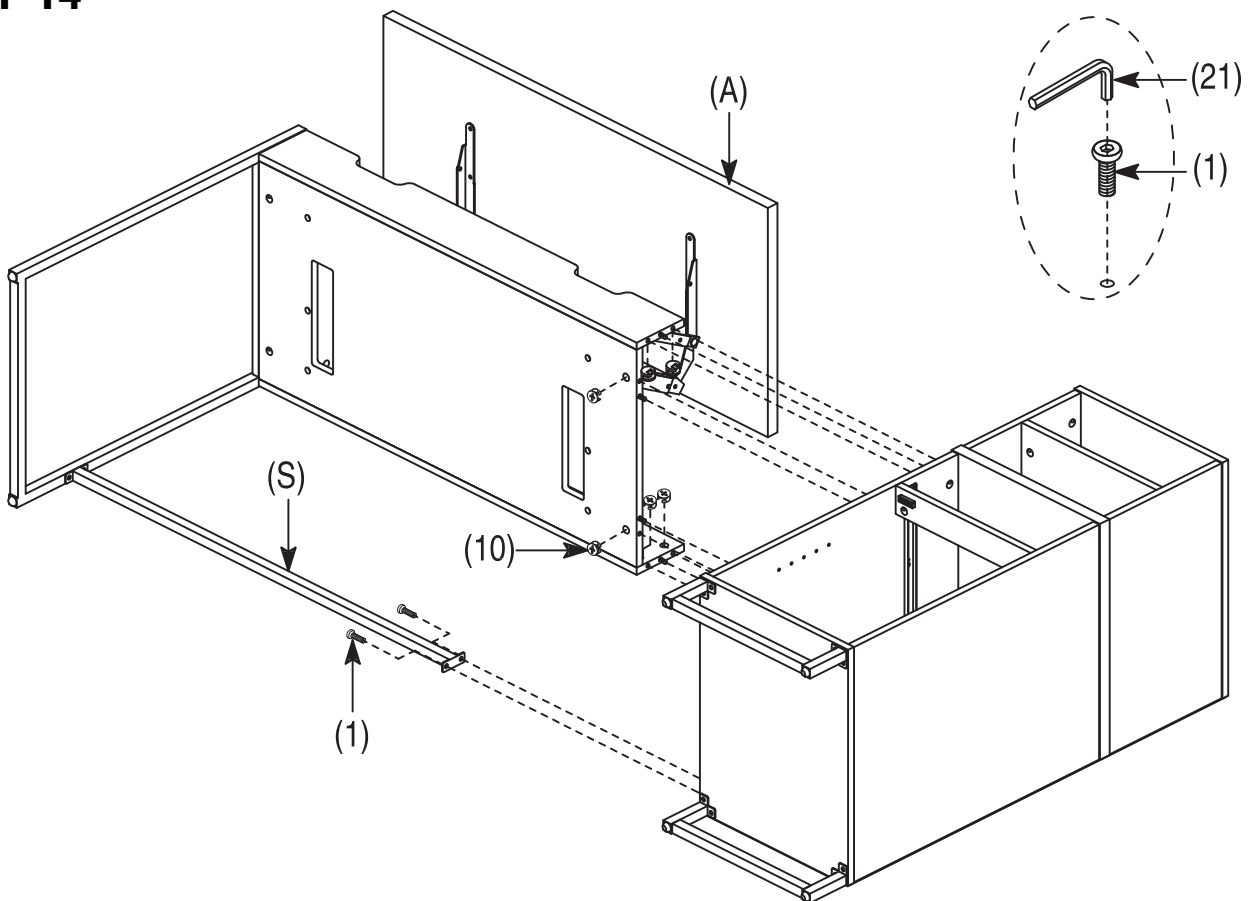
FULLY TIGHTEN ALL CAM SCREWS (8 & 9)

STEP 13



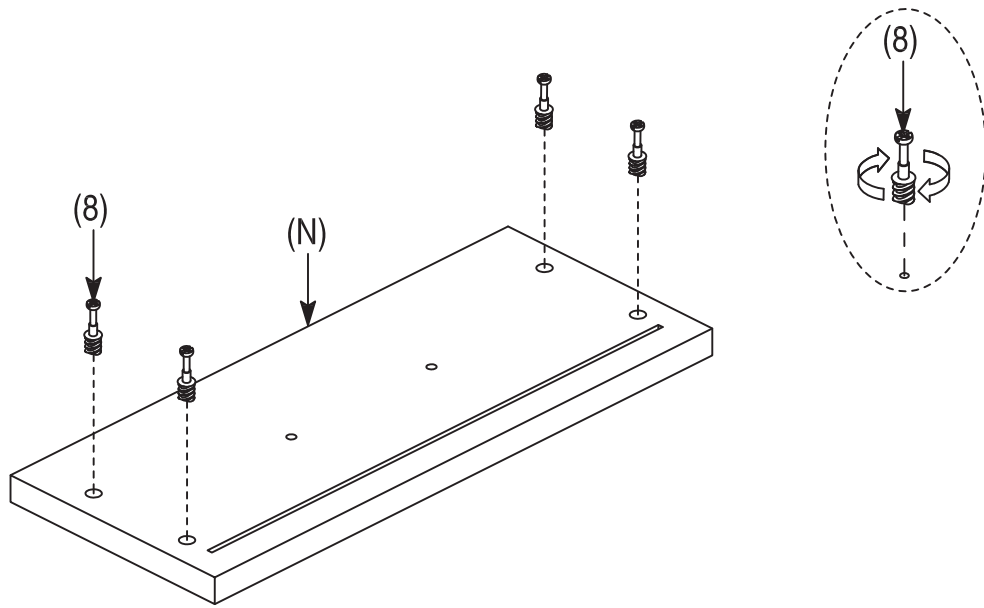
FULLY TIGHTEN ALL CAM NUTS (10) & BOLTS (1)

STEP 14



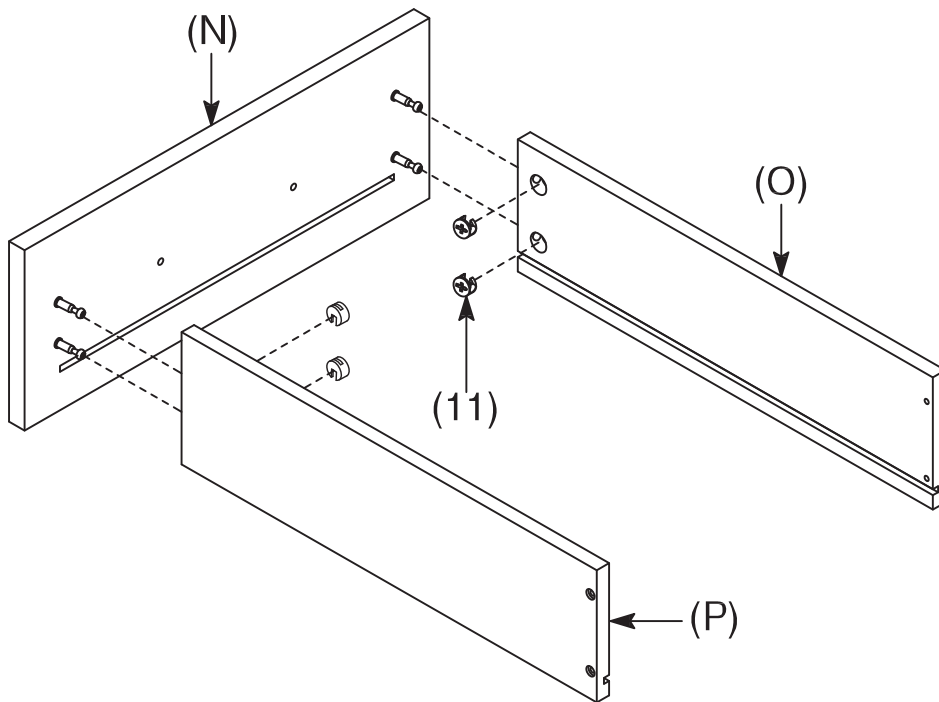
FULLY TIGHTEN ALL BOLTS (1)

STEP 15



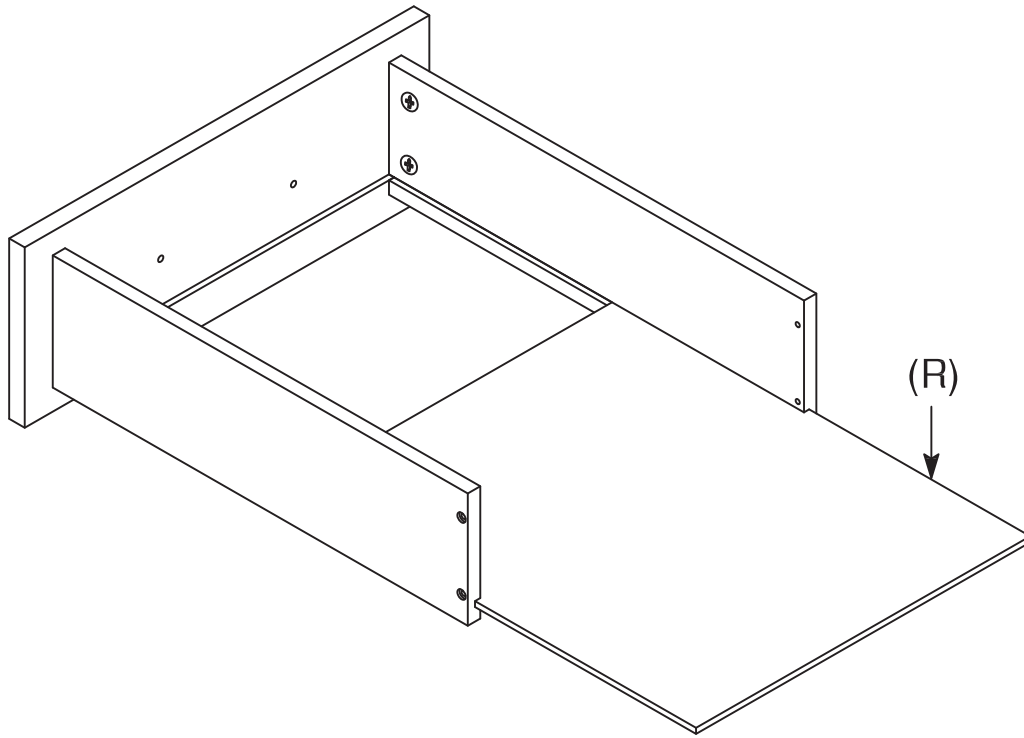
FULLY TIGHTEN ALL CAM SCREWS (8)

STEP 16

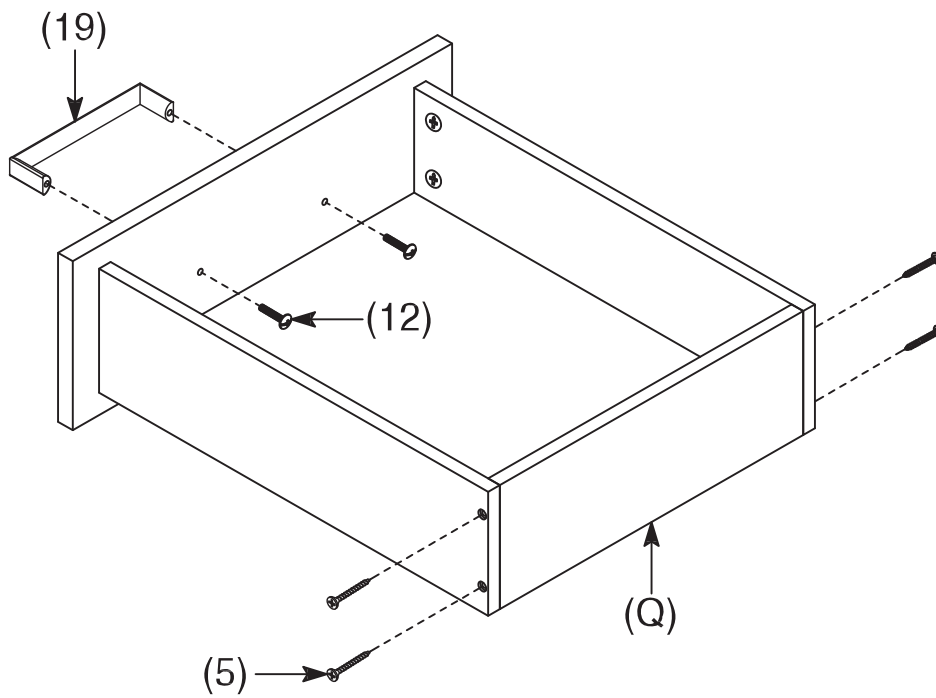


FULLY TIGHTEN ALL CAM NUTS (10)

STEP 17

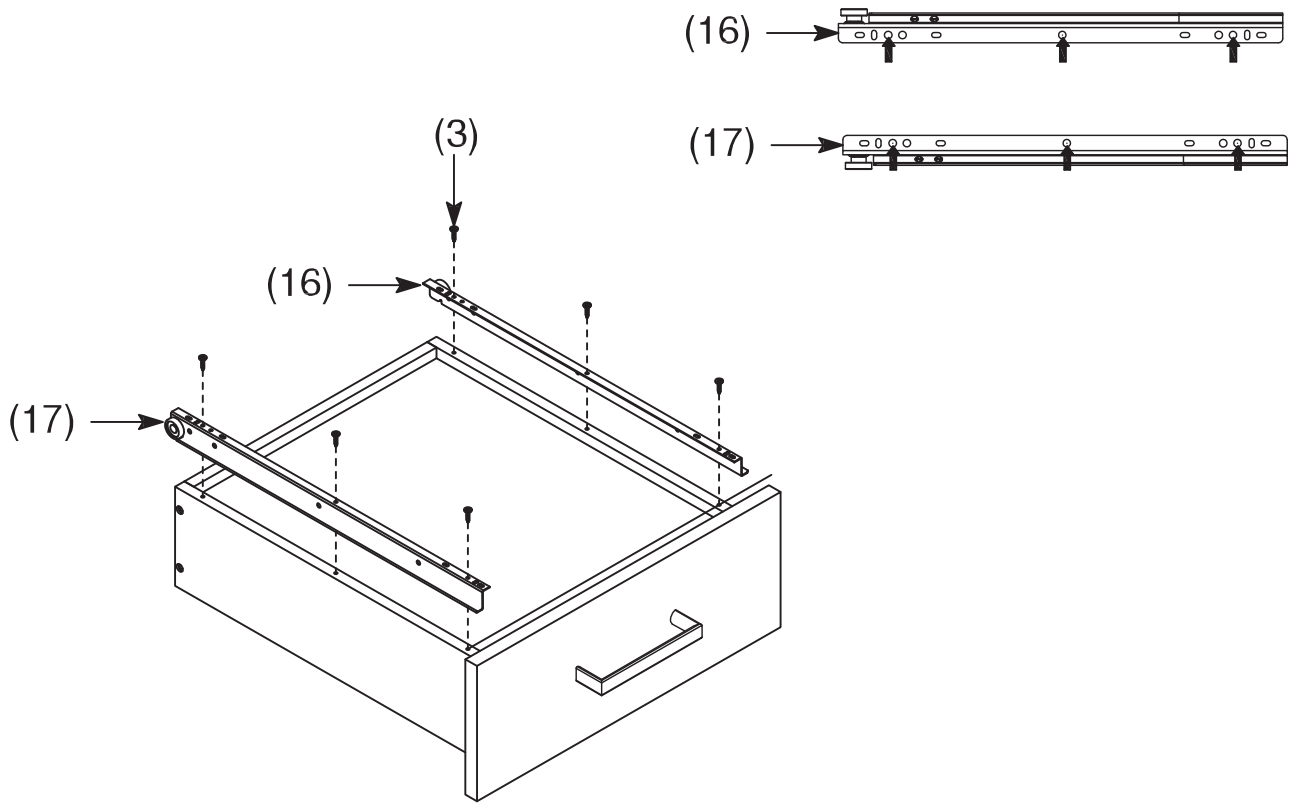


STEP 18



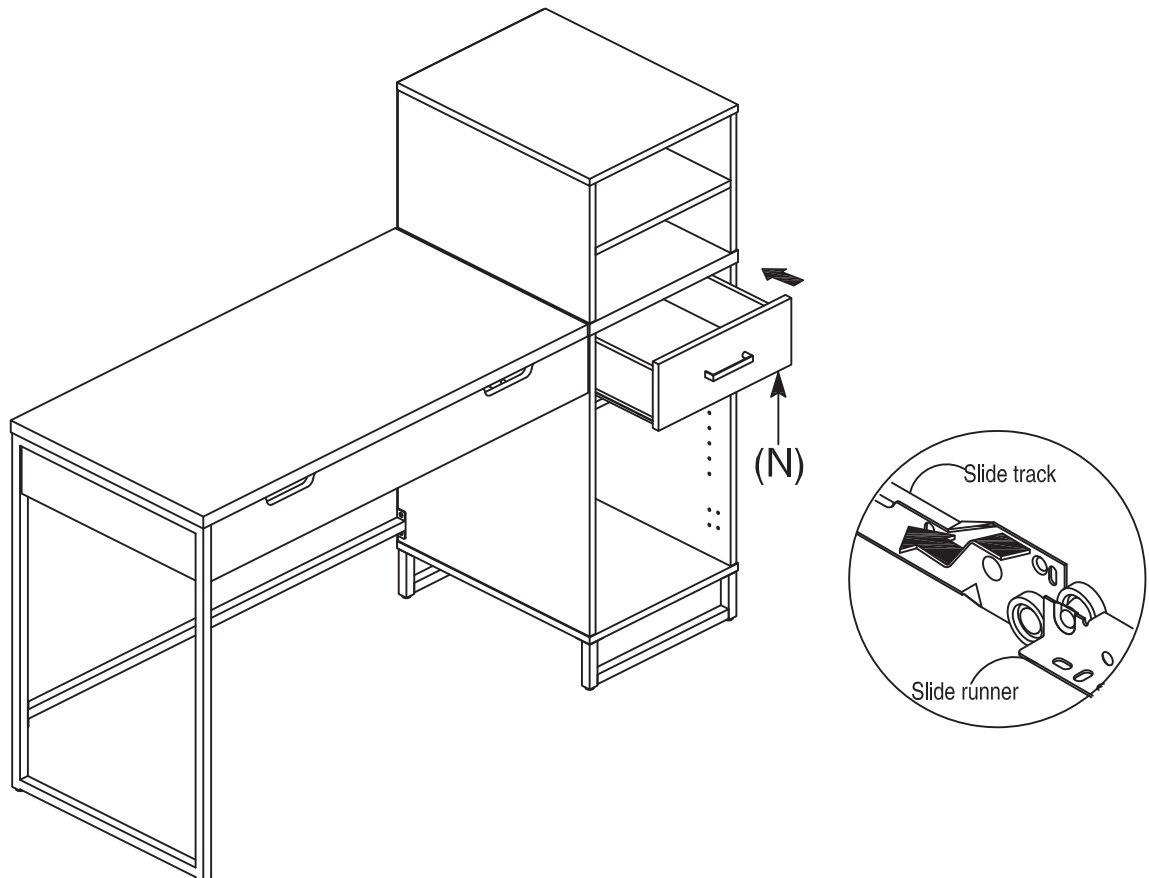
FULLY TIGHTEN ALL SCREWS (5) & BOLTS (12)

STEP 19

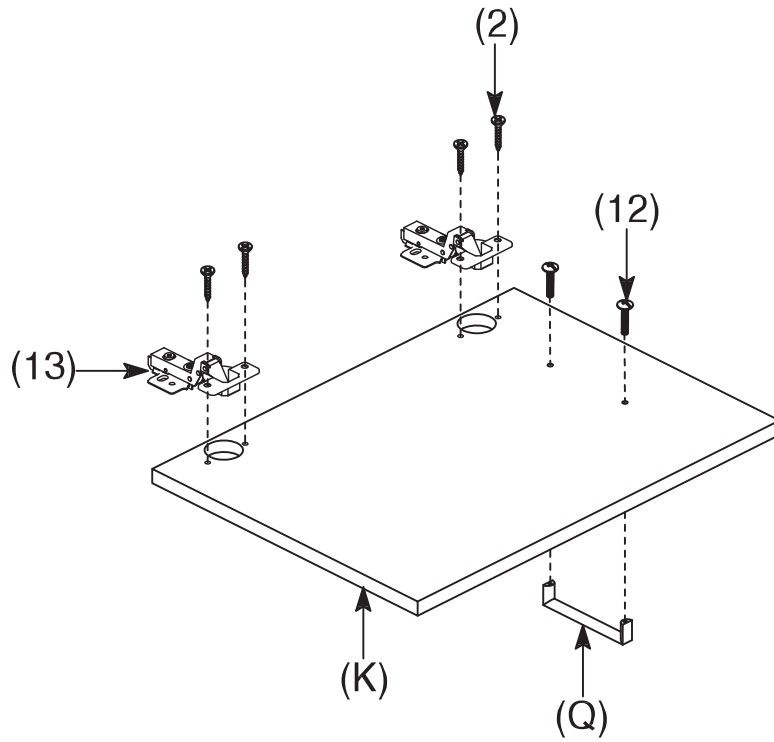


FULLY TIGHTEN ALL CAM SCREWS (3)

STEP 20

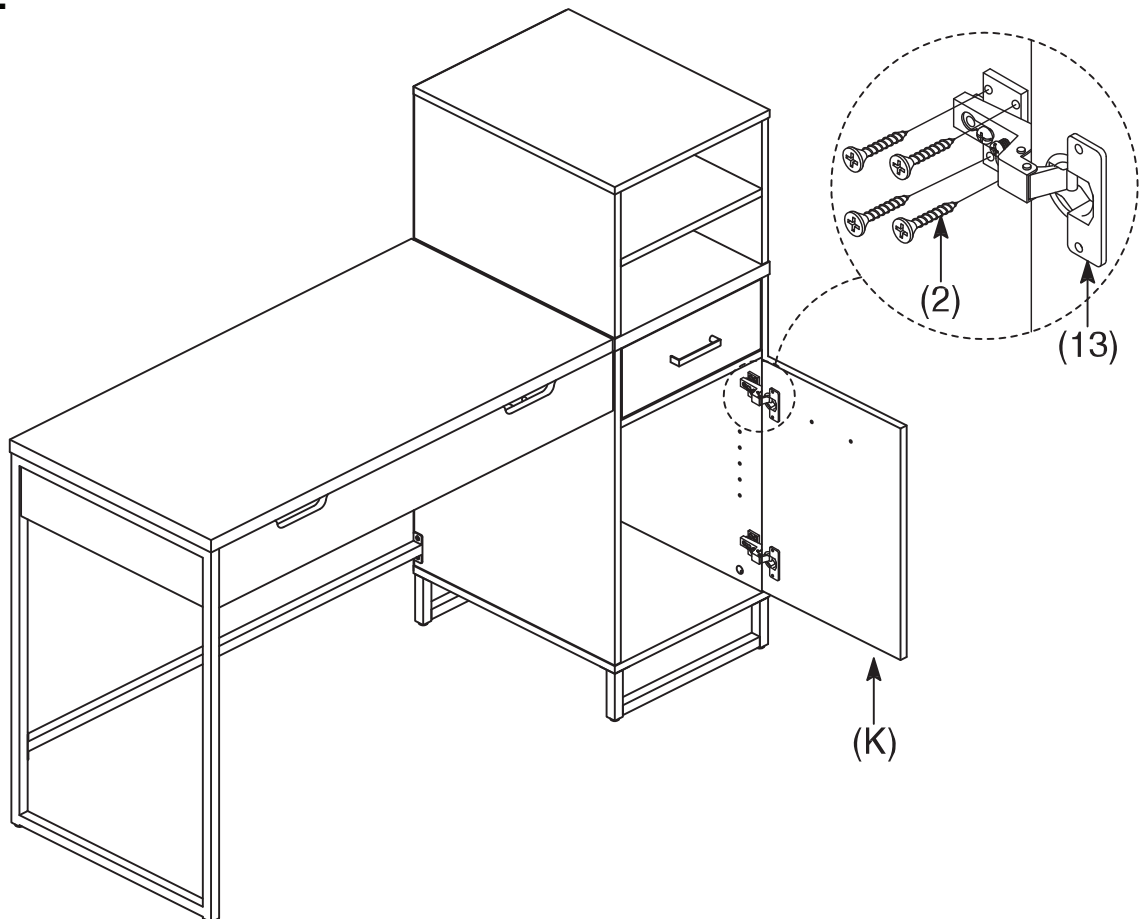


STEP 21



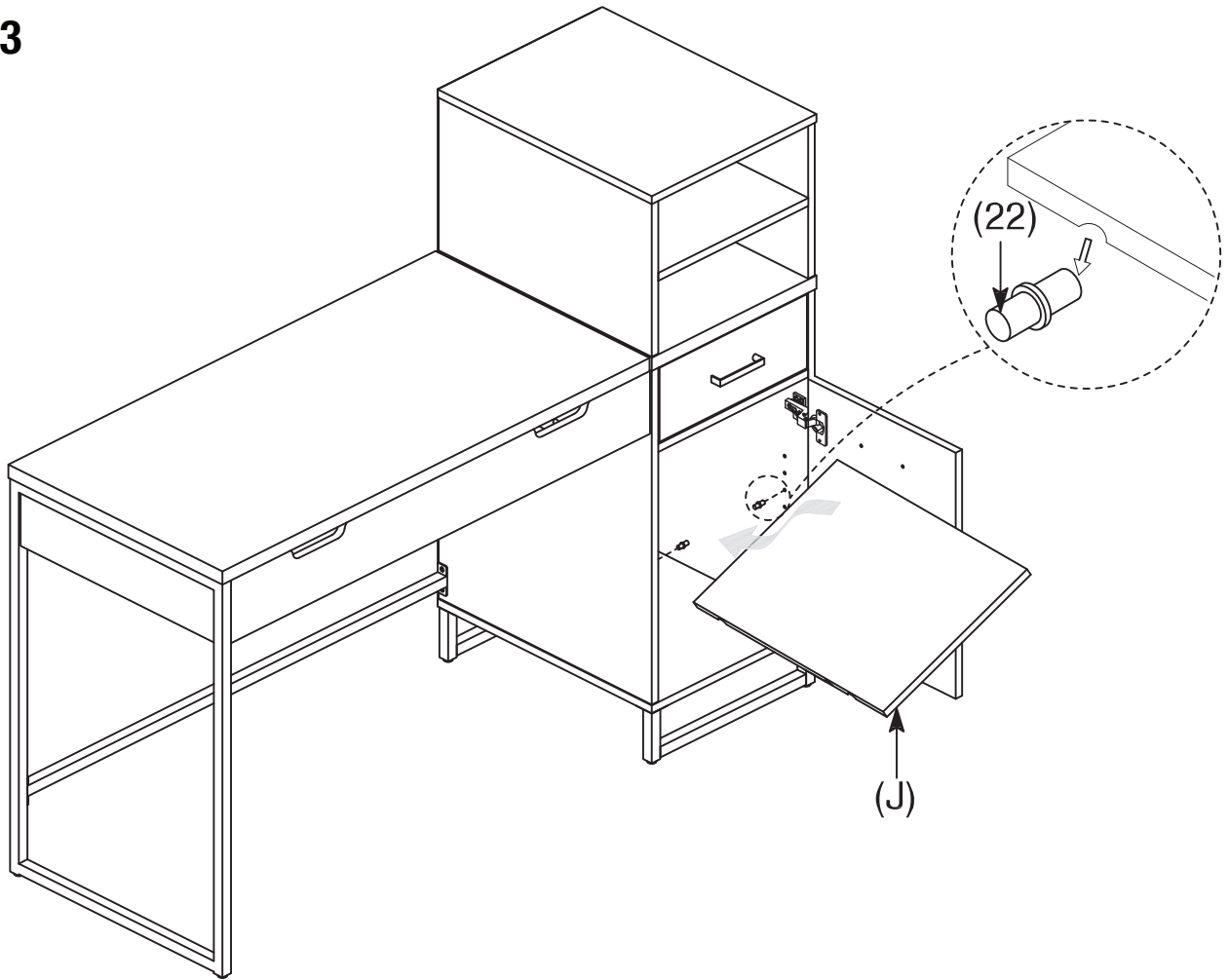
FULLY TIGHTEN ALL SCREWS (2) & BOLTS (12)

STEP 22

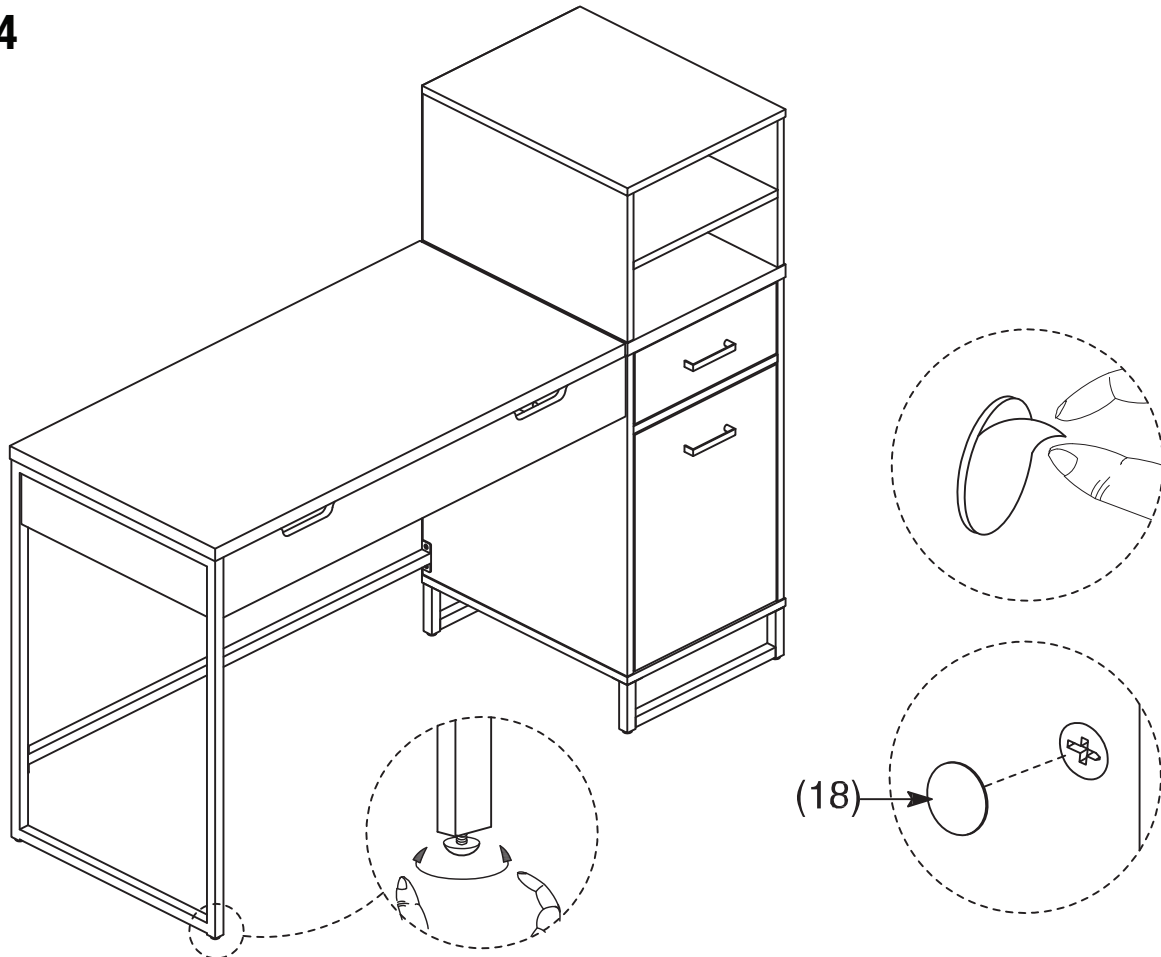


FULLY TIGHTEN ALL SCREWS (2)

STEP 23



STEP 24



IF NEEDED, ADJUST LEVELERS TO LEVEL DESK