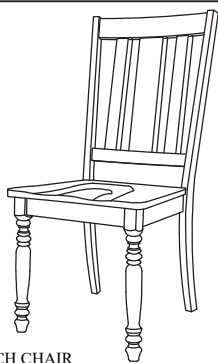


Progressive® ASSEMBLY INSTRUCTION

furniture Item No: D834-61

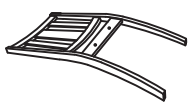

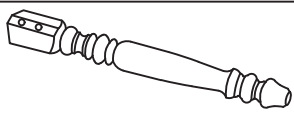
Description: DINING CHAIR

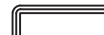







IMPORTANT NOTE :

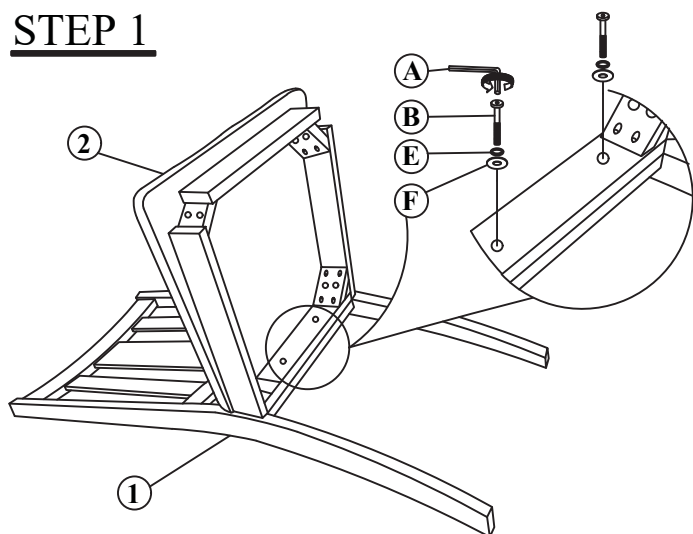
- Place all wooden parts on a clean and smooth surface such as a rug or carpet to avoid the parts from being scratched.
- Check to be sure that you have all parts and hardware.
- Remove all wrapping materials, including staples & packing straps before you start to assemble.
- Do not tighten all screws/bolts until all completely assembled.
- Keep all hardware parts out of reach of children.

▲ PARTS FOR EACH CHAIR

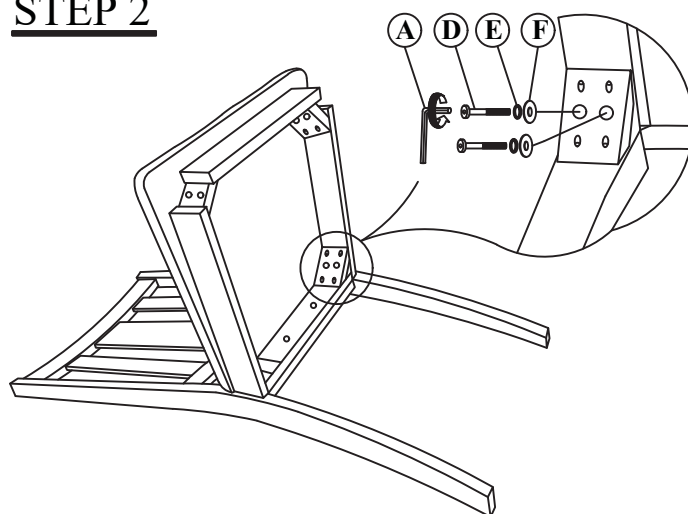
PARTS LIST			
NO.	COMPONENT		QTY.
1	CHAIR BACK		1 PCS
2	CHAIR SEAT		1 PCS
3	FRONT LEG		2 PCS

HARDWARE LIST			
NO.	DESCRIPTION		QTY.
A	M4 x 60MM ALLEN KEY		1 PCS
B	M6 x 35MM JCBC BOLT		2 PCS
C	M6 x 60MM JCBC BOLT		4 PCS
D	M6 x 80MM JCBC BOLT		4 PCS
E	M6 x 13MM SPRING WASHER		10 PCS
F	M6 x 19MM FLAT WASHER		10 PCS

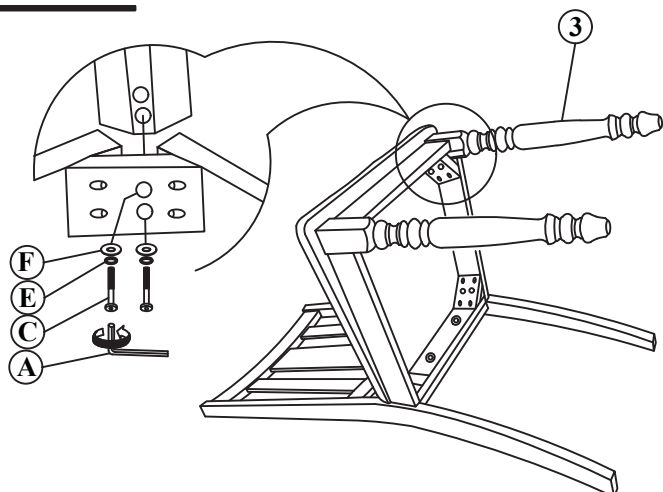
STEP 1



STEP 2



STEP 3



STEP 4

