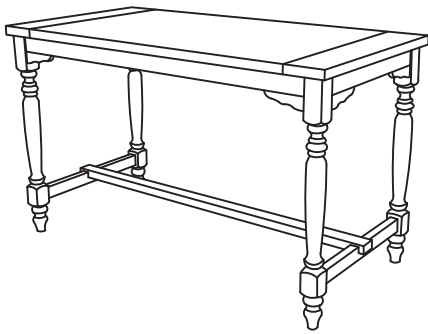


Progressive® ASSEMBLY INSTRUCTION

furniture Item No: D834-12

Description: COUNTER DINING TABLE



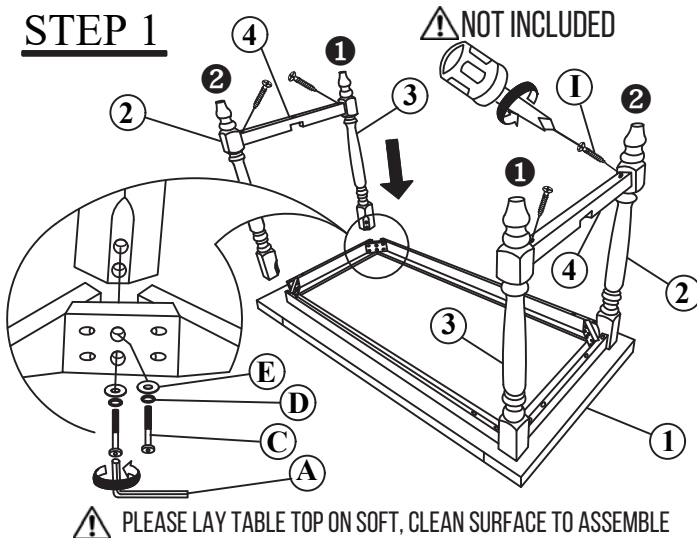
IMPORTANT NOTE :

- Place all wooden parts on a clean and smooth surface such as a rug or carpet to avoid the parts from being scratched.
- Check to be sure that you have all parts and hardware.
- Remove all wrapping materials, including staples & packing straps before you start to assemble.
- Do not tighten all screws/bolts until all completely assembled.
- Keep all hardware parts out of reach of children.

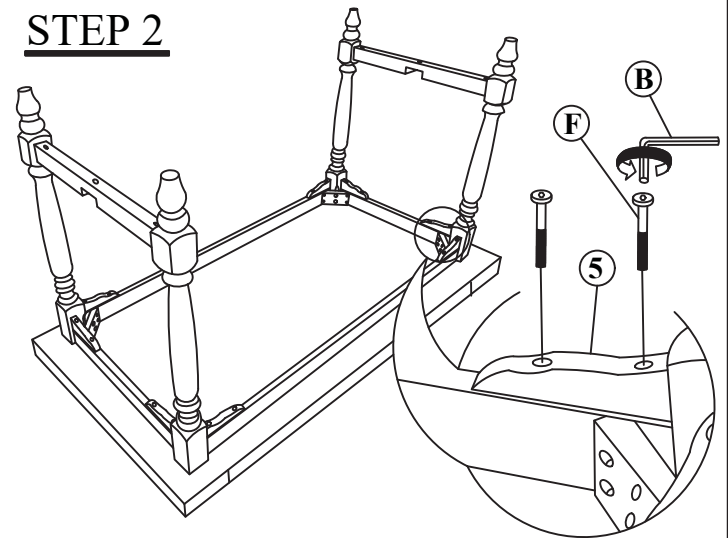
PARTS LIST		
NO.	COMPONENT	QTY.
1	TABLE TOP	1 PCS
2	TABLE LEG - ②	2 PCS
3	TABLE LEG - ①	2 PCS
4	SIDE RAIL	2 PCS
5	SCALLOPED APRON	8 PCS
6	CROSS RAIL	1 PCS

HARDWARE LIST		
NO.	DESCRIPTION	QTY.
A	M5 x 85MM ALLEN KEY	1 PCS
B	M4 x 60MM ALLEN KEY	1 PCS
C	M8 x 60MM JCBC BOLT	8 PCS
D	M8 x 14MM SPRING WASHER	8 PCS
E	M8 x 22MM FLAT WASHER	8 PCS
F	M6 x 40MM JCBC BOLT	18 PCS
G	M6 x 13MM SPRING WASHER	2 PCS
H	M6 x 19MM FLAT WASHER	2 PCS
I	M4 x 45MM SCREW	4 PCS

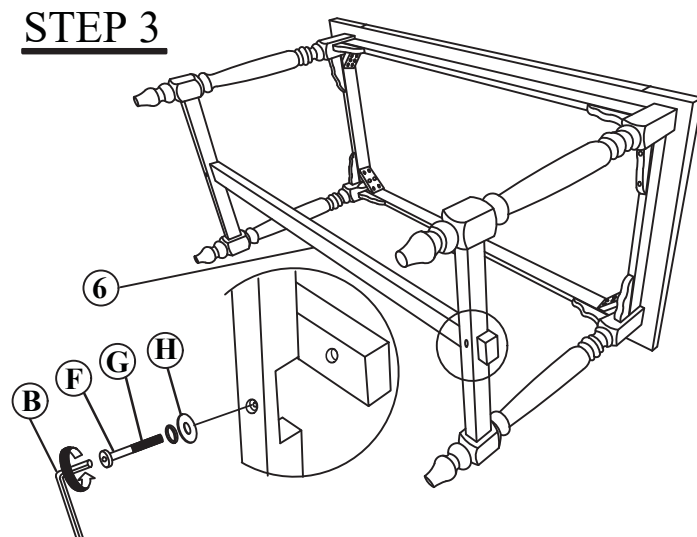
STEP 1



STEP 2



STEP 3



STEP 4

